



# XYZAX SVA NEX

Dedicated catalog is available.

**Redesigning the long-selling SVA series from scratch enhances the high-accuracy furthermore. New option for energy-saving is ready.**

## High measuring accuracy

0D SHUPLVVLEOHLGLFDWLRHUURU

(03 / P

RUUHVS RGVWRHZVWDGDUG-.6%,62

## New design

KLKHGPDFKLHRI1(;VHULHVHIGFRFHSWRI)6,21

NEX design

## LED light

NEW

/(DWHPEHHRDQGVDQGGHHGHWDLVRI RNSLHFH□

## Air Saver function

NEW

DVLDVDIQFWLRQRIDWRPDWLFVSHQVLRQWRVSSERP□

SHVVHGDLGLQWHPDFLQHDLDWLQWLPHIWHVSHQGHG□

compressed air is automatically supplied as when Joy stick

RSHUDWLRQDQGHPHDVXULQJWWDUWVRLVIXQFWLRQKHOSVWR□

VDYHHQHUUJDDGUXQQQLQJERVWBBHOLPLQDWLQJZDVVWHIXOERP□

pressed air supply, like idling stop

IXQFWLRQIRUWHKLEFOHV□

## Selectable software; Calypso or XYANA

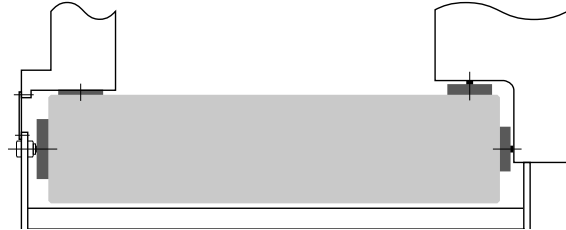
(general-purpose measuring program)

Calypso

XYANA2000

## Maisonette Bridge Structure for Outstanding Dynamic Rigidity

7KHDLVXLGHVXUIDFHUUUDOKDQDVHFRGXLGHVXUIDFHVXEXLGHWRWKHULKW  
VLGHRIWKHWDEOH7KHPDLVRHWWHEULGHVWUXFWXUHSURYLGHVXLGHVXUIDFHVRRWI  
RIWKHWDEOHZKLFKHOLPLDWHVWKHFDFHRIYDULDWLRVLVXEXLGHFRHFWRUVVUFH2V  
DGKHLVYHVHFRYHUWLP7KLVVLP SOLHVWKHVWUXFWXUHZKLFKLSURYHVULLGLWGD  
SOLHVJXLGHSODWHSURFHVHVIRUKLJKHUDEFXUDE



RUWKH[LVDQDQXLGHVXUIDFHVIFLQDWDWHWDEOHSURFHVHVIRUKLGHVXUIDFHV whose stability and accuracy remain high over long periods. This structure has been patented by Tokyo Seimitsu.

## Newly developed A.V.D. (Anti-Vibration Drive) mechanism suppresses vibration during Z- (up and down) direction drive

LEUDWLRQGXLQJED[LVGULYHLEVDXVHGEXQHYHQURWDWLRQRIBWKHGULYHBRWRULWVHOIDQGDMLPSOH  
IULFWLRQGULYHEDXVHVBRWRUYLEUDWLRQWRREHWUDQVPLWVWHGGLUHFOWWRWKED[LVKH6(PDFKQLQH  
HPSORVDPHFKDQLVPZKHUHEWKED[LVLVGULYHQYLDLWKLQVWHHOEBHOWZKLFKUHGXFHVYLEUDWLRQ  
QDLUBOLQGHEODQFHQWKHED[LVZHLJKWEDODQFHBFKDQLVPUHGXFHVZHLJKWZKLFKSURGXFHVD  
QHZERQFHSWGRXEOHSXOOHVWHPHURUDPRUHERPSDEFWRQJXUDWLRQ

[PDJHRIED[LVBRWRURQILJXUDWLRQ  
GULYHEHOWPLQLPLJHVRWRUYLEUDWLRQ  
WUDQVPLVLRQWRWKED[LV

## CAE Analysis and Monocoque Construction for Improved Mechanical Rigidity\* and Lighter Weight

\*150% better than previous models



The ideal right Y-column design PRGXODULJHGERPSRQHQQV OLJKWZHLJKWPSURYHGUJLGLW obtained using CAE provides SVA series machines with higher speed characteristic and ORZHUHSHDWDELOLWUURU high speed and high accuracy. Compared with previous models, the SVA-A measuring machine provides WLPVPRUHULJLGLWRVYHUDO

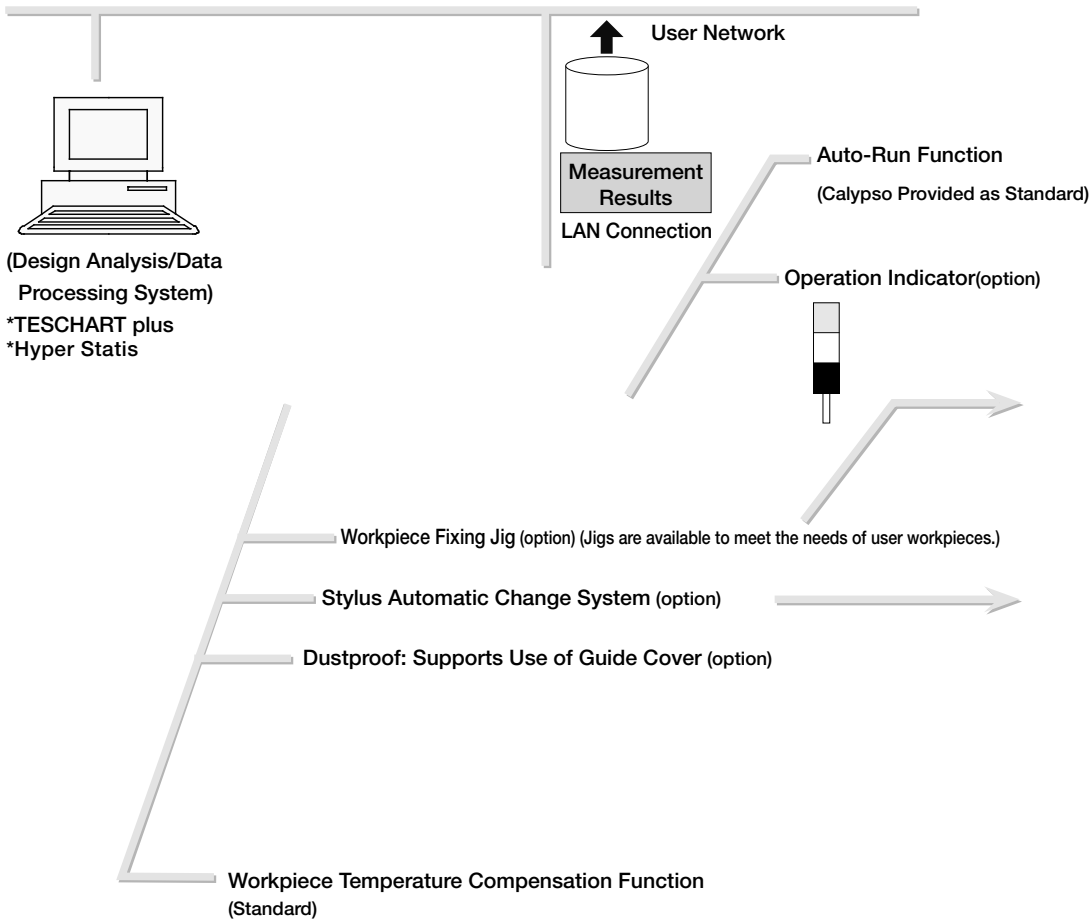
## Compact Operation Panel Controls All Basic Operation Measuring

-RVWLFNEDVHGPRYHPHWRIHDFKDLV  
LVVXSSRUWHGERWKIRUPHFKDLDFORRL  
nates and workpiece coordinates.  
Workpiece coordinate-based movement  
VLP SOLHVWKHDSSURDFKWRMODQV  
IDFHVGHHSKROHVHWE  
A movement speed control knob is  
HQDEOHGERWKIRUMRWLFNRSHUC  
CNC drive operation, providing reliable  
VDIHWKHNVDQGRSHUDWLRQLQW  
locations.

Manufacturing site oriented applications (Case: SVA automatic in-line system)

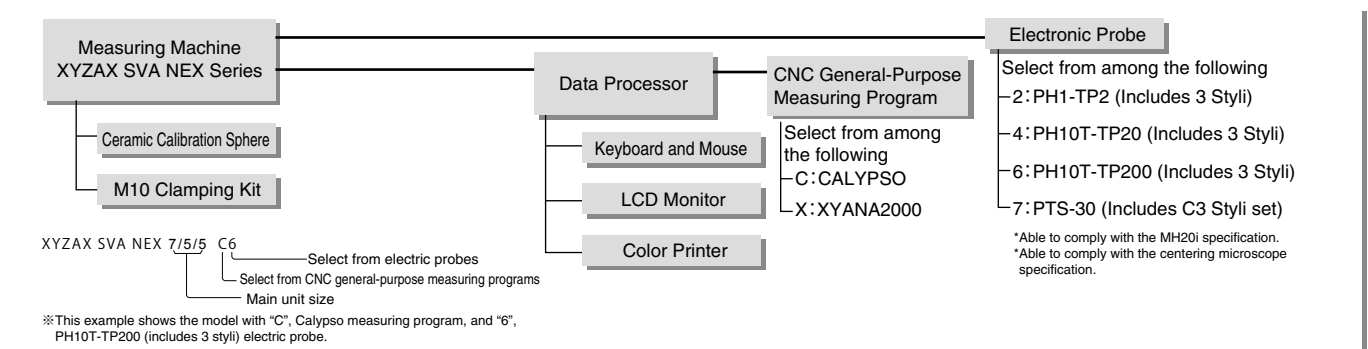
**Objective of Implementation**

- Enhance production line flexibility
  - From measuring room, to production line
  - Reduce costs for special-purpose jigs
- Facilitate multi-item capability (utilizing CNC parts program)  
 Production-floor based quality control  
 Improve jig versatility



The measuring machine and workpiece temperatures are controlled in accordance with WKHPHDVXULQJHQYLURQPHQWVLQIOXHQFHQRW/KHPHDVXULQJPEDFKLQH□

**Basic System Configuration**



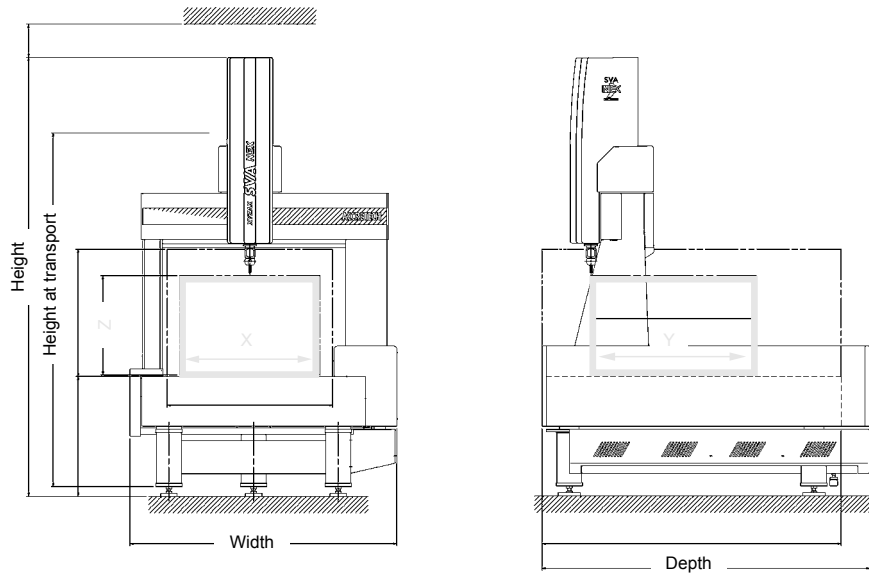
# Specifications

Model		XYZAX SVA NEX												
		□	□	□	□	10/10/6	10/12/6	□	10/10/8	10/12/8	□	□	12/20/10	□
Measuring range	D[LVPBP□	□				1000				1200				
	<D[LVPBP□	□	600	1000	□	1000	1200	□	1000	1200	□	□	2000	□
	=D[LVPBP□	□				600				800				
Measuring length scale		Linear scale												
Minimum display value		0.01												
Measuring accuracy With TP200	OD[LXPSPHULVLEOHUU□ E0, MPE E□ E□(□ E□	□				□				□				
	Temperature condition: A	□				□				□				
	Temperature condition: B	□				□				□				
Repeatability: R0, MPLB□		□				1.8				2.3				
OD[LXPSPHULVLEOHVQLQJHVVWOXVIRU□ PFTU, MPE (E □		2.0				□				2.8				
Table	Material	Gabbro												
	8VDEOHZLQWKB□	800	1000				□				□			
	8VDEOHGHSWKBP□	□	□	1810	□	□	2110	2310	□	2110	□	□	3010	□
	+HLJKWWRPDRRUB□	□				□				630				
Flatness		JIS Class 1												
Workpiece	OD[HLJKWBP□	620	□				□				□			
	OD[ZHLJKWNJ□	□	800	1000	□	1000	1200	□	1000	1200	□	□	1000	□
Driving speed	OD[DFHOHUDWLRQBP□	□				1200				□				
	DULDEOHVSHHGUDQJHPPMHF□	1BHDVXUHPHQWGRGHOD[BPVHFVWHSOHVVMDULDEOH□ -RVWLFNBRGHVWRBPVHFVWHSOHVVMDULDEOH□												
*XLGHVWHPRIHDFKD[LV		Air bearing												
Air supply	6XSSOSUHVXUHZRUNLQJSUHVXUH□	WRO												
	LUERQVXPSWLRQJPLQ□	□				60				□				
Power supply		URXQGLQJHTXLHG□												

	Temperature condition: A	Temperature condition: B
PELHQVWHPSHUDWXUH□	18 to 22	16 to 26
PSHUDWXUHEKDKQJHBRX□	1.0	2.0
PSHUDWXUHEKDKQJHG□	2.0	□
PSHUDWXUHJUDGLHQWB□	1.0	1.0

0  
 E0, MPE/ E□(□ / R0, MPLBQIRUPLWWR□6162□  
 PFTU, MPEBQIRUPLWWR□6162□  
 \*L in E0, MPE/E□(□ □VWKHGLVWDQFHEHWZHHQDQWZRSRLQWVBP□  
 QHDVXUHPHQWDFXUDFLVDEVDVHGGRQXVHRVWWDQGDUGVWQXV□  
 6WDQGDUGVWQXVSHFLILFDWLRQ□  
 Stylus tip diameter = □□BPVWVRPWOXVRI□616+□

# External View and Dimensions SVA NEX



Model		XYZAX SVA NEX												
		□	□	□	□	10/10/6	10/12/6	□	10/10/8	10/12/8	□	□	12/20/10	□
LPHQVLRQVBP□	Width	□				□				□				
	Depth	□	□	□	□	2080	2280	□	2080	2280	□	□	3180	3680
	Height	□				□				3363				
ODFKLQHKHLJKWDWWUDQVSRUWBP□		2200				2200				2260				
:HLJKWNJ□		□	1600	□	□	□	□	□	3200	□	□	□	6300	□

%HVXUHWRFKHFNWKHKLKRISDVVDZVDGLSDUWLFXODUWKHKLKRIGRRUVDGRWKHURSHLVVREHXVHGZKHVKHPDFKHLVGHOLYHUHG7KHKLKRIRSHLVVHGVRREHWKH  
 VSHFLILGHDFKDFKHLKHKLKWDDVUDVSRUWSOXVDERXVPPWRDORZIRUWKHGRUOLHVXVHGWRPRYHWKHPDFKLVH

\*Controller and computer rack are also included

TORGHOVWKDWEDQEHPRGLILHGWRORZHUWKHWWDQGRUVKRUWHQWKHED[LVMWURNHWRUHGXFEHWKHLQV  
 DOVRDYDLODEOHRQWDFWVIRUGHWDLOV□