



LEOPARD IMAGING INC

# LI-IMX424-FPDLINKIII-xxxH

## Data Sheet

### Key Features

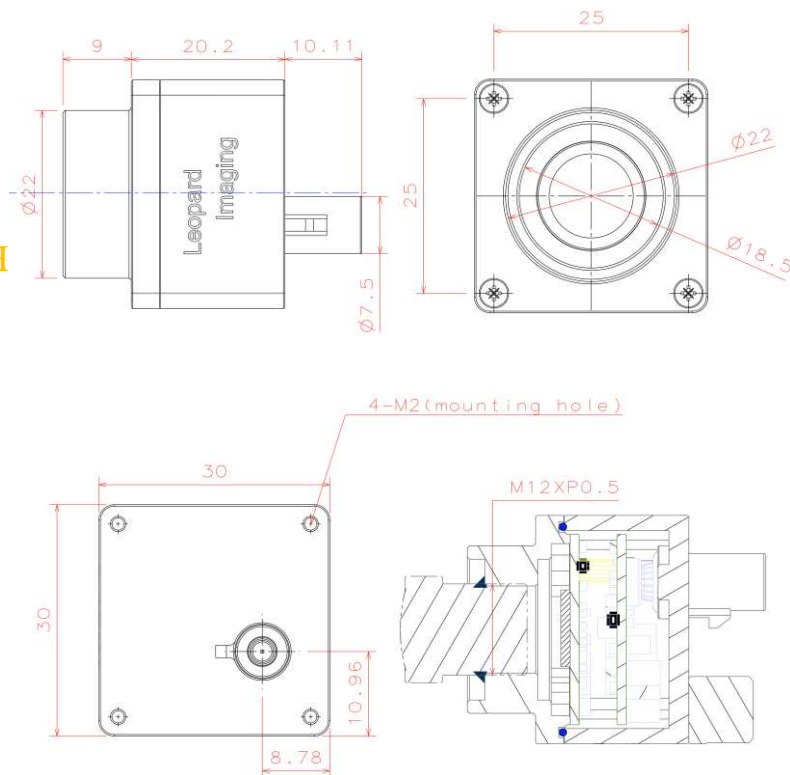
- Sony Diagonal 9.69mm (Type 1/1.7) CMOS Image Sensor IMX424
- Optical format: 1/1.7"
- Maximum resolution: 3849H x 1929V
- Pixel size: 2.25 um x 2.25 um
- Output 12 bit Raw data
- Support 12V Power
- Lens: FOV H 70 / 130
- TI953 FPD-Link III serializer
- Connector: FAKRA Z TYPE
- Water proof: IP67 (Up to IP69K)
- Operation Temp: -40 ~ 85 °C
- Storage Temp: -40 ~ 105 °C
- Size: 30 x 30 x 20.2 mm
- Weight: 45 g
- Part#: **LI-IMX424-FPDLINKIII-xxxH**



### Application

- Automotive ADAS
- Automotive Rear View or Backup

### Dimensions

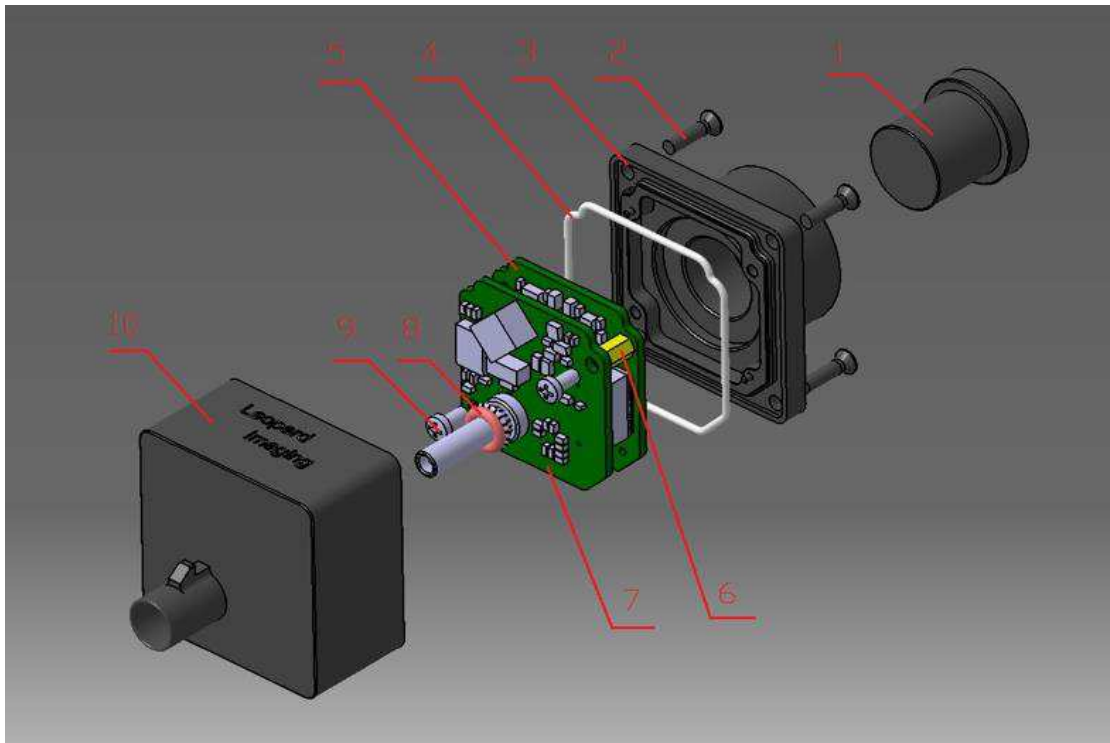


Leopard Imaging Inc.

48820 Kato Rd, Suite 100B, Fremont, CA 94538, USA  
Phone: +1-408-263-0988  
Fax: +1-408-217-1960  
Email: sales@leopardimaging.com  
Website: www.leopardimaging.com

## BOM

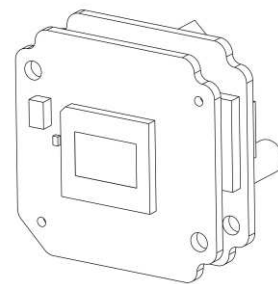
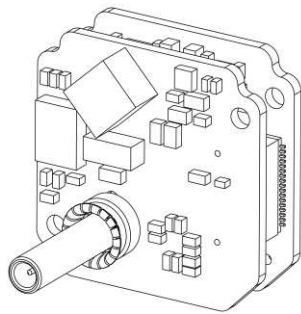
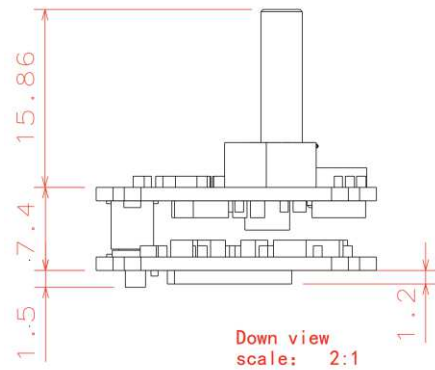
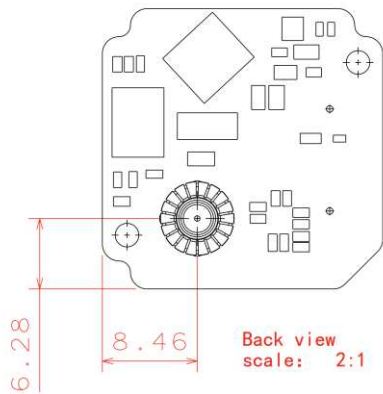
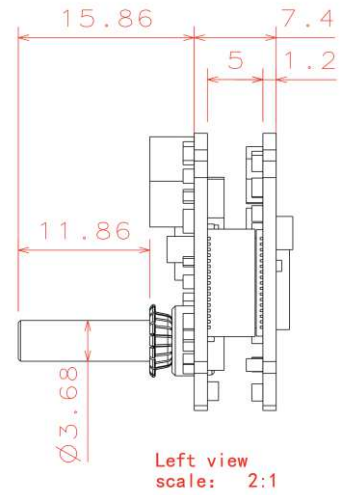
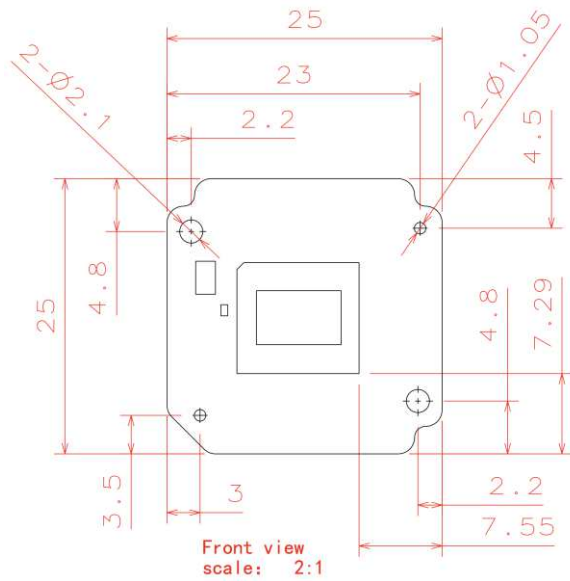
#	Name	SPEC	QTY/SET
1	Lens	M12 lens	1
2	Screw	M2*8 cross flat head black ZINC	4
3	Shell 2	AL6061-T6 BLACK Anodizing	1
4	Sealing ring	Silicon rubber, White	1
5	LI-IMX424-MIPI-FKR	IMX424 sensor board	1
6	Copper pillar	M2*5+3	2
7	LI-TI953-FKR	FPD-Link III serializer board	1
8	O ring	6.5*1.5 Silicon rubber Red	1
9	Screw	M2*4 cross pan head black ZINC	2
10	Shell 1	AL6061-T6 BLACK Anodizing	1



Leopard Imaging Inc.

48820 Kato Rd, Suite 100B, Fremont, CA 94538, USA  
 Phone: +1-408-263-0988  
 Fax: +1-408-217-1960  
 Email: sales@leopardimaging.com  
 Website: www.leopardimaging.com

# Camera boards Dimensions

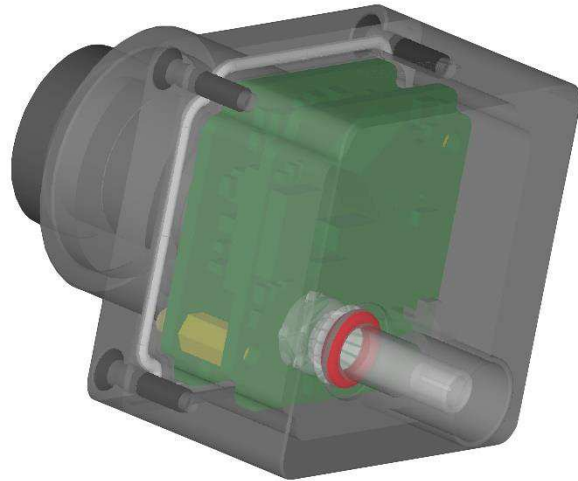


Leopard Imaging Inc.

48820 Kato Rd, Suite 100B, Fremont, CA 94538, USA  
 Phone: +1-408-263-0988  
 Fax: +1-408-217-1960  
 Email: sales@leopardimaging.com  
 Website: www.leopardimaging.com

## Water Proof

- Metal Housing
- Water-proof M12 lens
- Sealed Gasket (White)
- Sealed O-ring (Red)



## Cable Connector

- Housing Connector- FAKRA Z Type
- Cable length: 3 meters  
Support single Coax Cable transmit up to 15 meters
- Cable Part#: FAK-SMZSMZ-0008
- FAKRA type connectors



Leopard Imaging Inc.

48820 Kato Rd, Suite 100B, Fremont, CA 94538, USA  
Phone: +1-408-263-0988  
Fax: +1-408-217-1960  
Email: sales@leopardimaging.com  
Website: www.leopardimaging.com

## Ordering Information

**Part#: LI-IMX424- FPDLINKIII -xxxH**

Note:

xxxH - 070H: FOV H 70°  
 130H: FOV H 130°

LI-IMX424-FPDLINKIII-070H	LI-IMX424-FPDLINKIII-130H
 <p>A black, square-shaped camera module with a lens assembly on top. The lens barrel is marked with '8.0mm' and 'IR'. The base has four screws and the text 'Leopard Imaging' printed on it.</p>	 <p>A black, square-shaped camera module with a lens assembly on top. The lens barrel is marked with '3.85mm'. The base has four screws and the text 'Leopard Imaging' printed on it.</p>
<p>Lens: M127B0818W            Lens EFL: 8.0 mm            F/#: 1.8            FOV(D): 82.3°            FOV(H): 71°            FOV(V): 32.3°</p>	<p>Lens: LC062A            Lens EFL: 3.85 mm            F/#: 1.75            FOV(D): 145°            FOV(H): 130.7°            FOV(V): 65.5°</p>

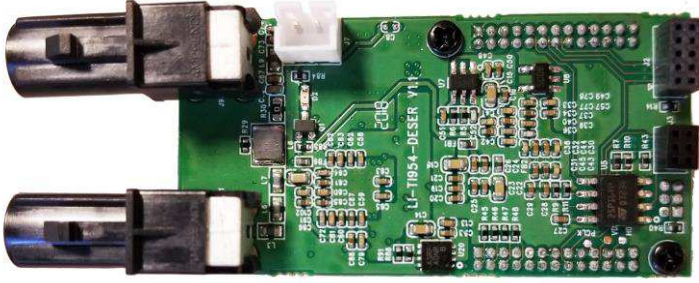


Leopard Imaging Inc.

48820 Kato Rd, Suite 100B, Fremont, CA 94538, USA  
 Phone: +1-408-263-0988  
 Fax: +1-408-217-1960  
 Email: sales@leopardimaging.com  
 Website: www.leopardimaging.com



## LI-TI954-DESER



Front View

## LI-USB30-CNTL



Back View

LI-IMX424- FPDLINKIII can connect to USB 3.0 EVA module as a USB 3.0 camera.

Part#: **LI-USB30-IMX424-FPDLINKIII-xxxH**

## Key Features

- USB 3.0 Super Speed support
- RAW data output without compression
- UVC compliance
- Provide customization services
- USB +5VDC powered device
- Weight: 86 g
- Single Coax Cable transmit up to 15 meter PoC(Power over Cable)
- Support 3840x1928 @ 17fps
- Power consumption: Approx. 91mA at 12VDC
- Support Windows, Linux OS and other OS which include UVC drivers

## SDK Supported

- Camera Tool Source Code in C#
- Capture & Display
- Save file as BMP & RAW format
- Support register access function



## Revision History

Revision	Description	Release Date
1.0	First Release	17. Aug. 2018
1.1	Update the lens information	24. Aug. 2018



Leopard Imaging Inc.

48820 Kato Rd, Suite 100B, Fremont, CA 94538, USA  
Phone: +1-408-263-0988  
Fax: +1-408-217-1960  
Email: [sales@leopardimaging.com](mailto:sales@leopardimaging.com)  
Website: [www.leopardimaging.com](http://www.leopardimaging.com)