

## General Description

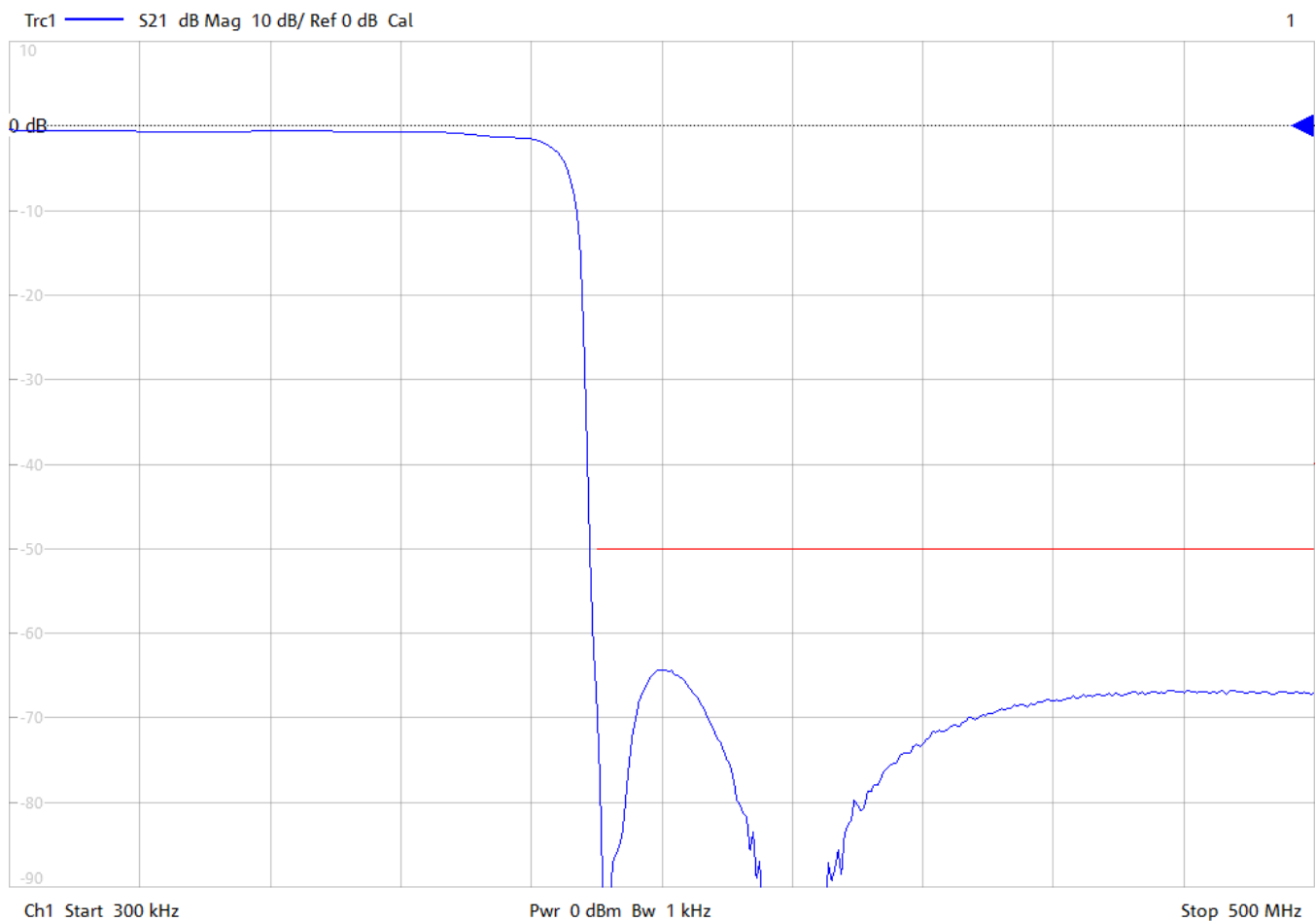
KR Electronics part number 2750-SMA is a 165 MHz lowpass filter. The filter has a min 0.75 dB bandwidth of 165 MHz and attains over 50 dB rejection by 225 MHz. Other frequencies are available. Please consult the factory.

## Features

- 165 MHz Lowpass Filter
- Sharp Elliptic Type Response
- Group Delay Equalized
- 50  $\Omega$  Source and Load
- SMA Connectors
- Also available in SMD package

## Typical Performance

**Overall Response**  
(10 dB/div)

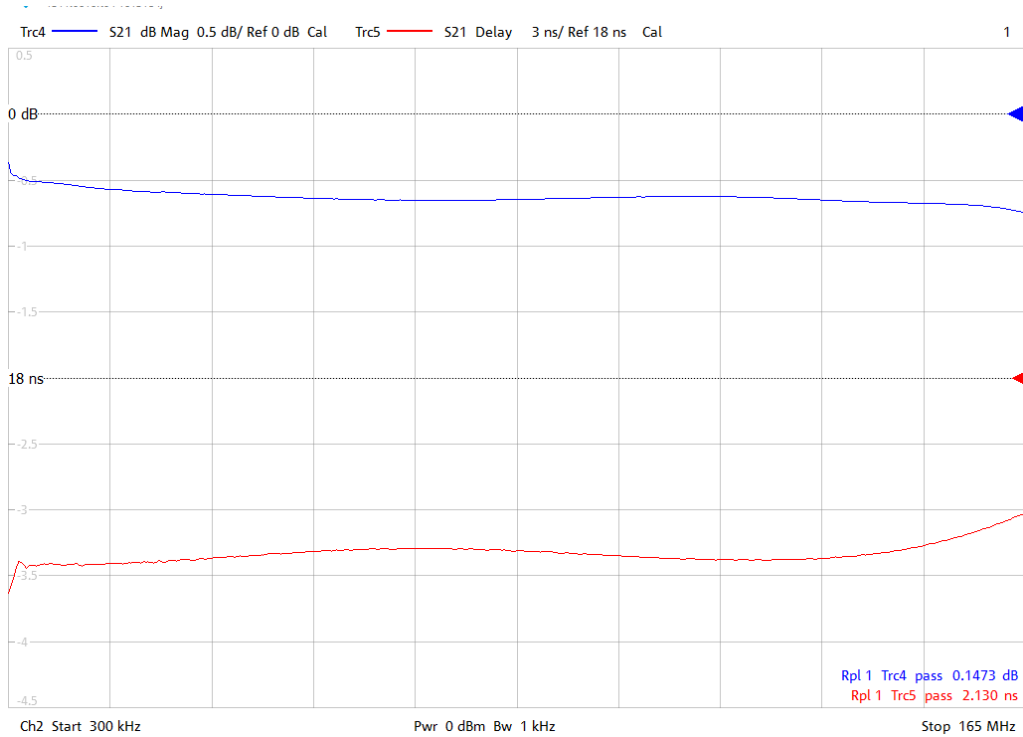


KR Electronics, Inc.  
91 Avenel Street  
Avenel, NJ 07001

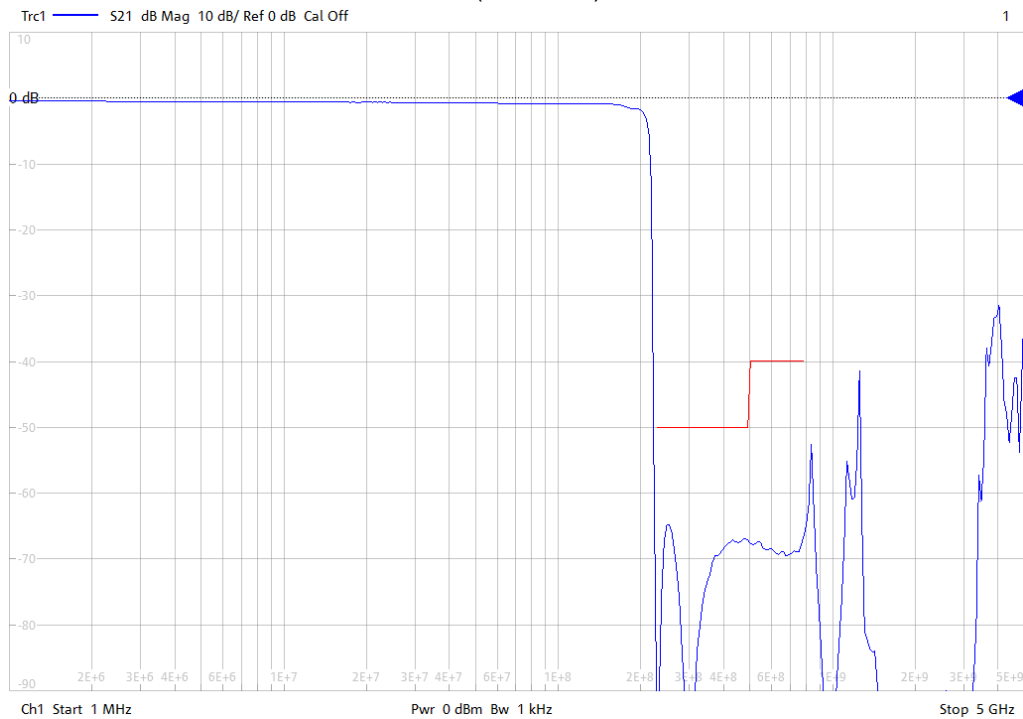
Web [www.krfilters.com](http://www.krfilters.com)  
Email [sales@krfilters.com](mailto:sales@krfilters.com)  
Phone (732) 636-1900  
Fax (732) 636-1982

# KR Electronics 2750-SMA

## Passband Amplitude & Group Delay (1 dB/div & 3 nsec/div)



## Overall Response (10 dB/div)



KR Electronics, Inc.  
91 Avenel Street  
Avenel, NJ 07001

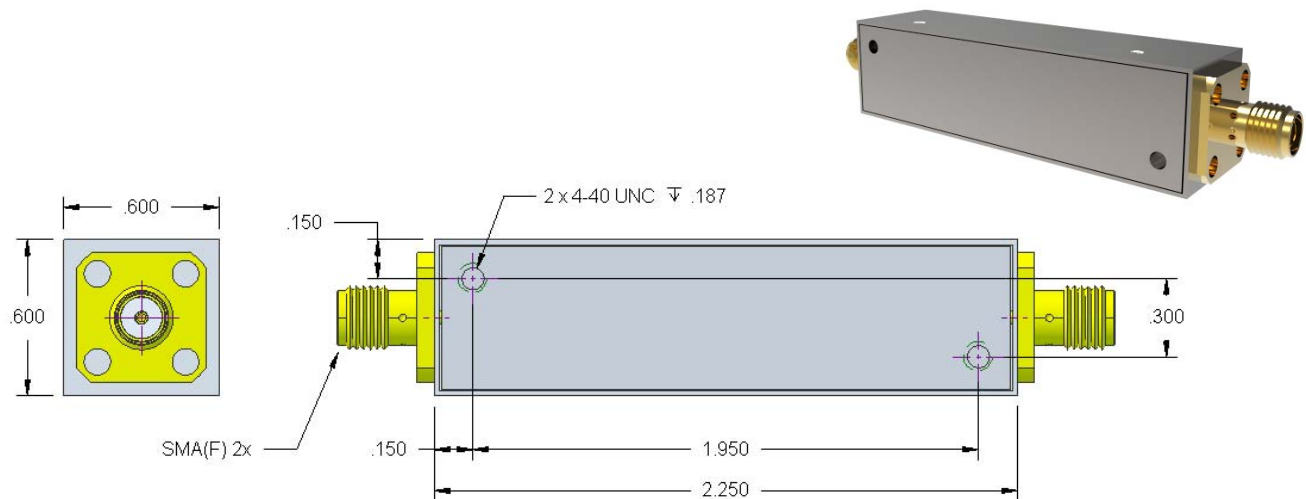
Web [www.krfilters.com](http://www.krfilters.com)  
Email [sales@krfilters.com](mailto:sales@krfilters.com)  
Phone (732) 636-1900  
Fax (732) 636-1982

# KR Electronics 2750-SMA

## Specifications

Parameter	Specification
Filter type	Lowpass
Insertion Loss at 300 KHz	1 dB max 0.5 dB typical
Insertion Loss at Fc	1 dBa max 0.35 dBa typical
Passband Flatness to 165 MHz	0.75 dB max pk-pk 0.25 dB typical
Rejection 225 to 500 MHz	50 dB min
Rejection 500 to 800 MHz	40 dB min
Source and Load	50 Ω

## Physical Dimensions



**Notes:**

1. Dimensions in inches
2. Metal Case
3. SMA(F) Connectors
4. Also available in a surface mount package