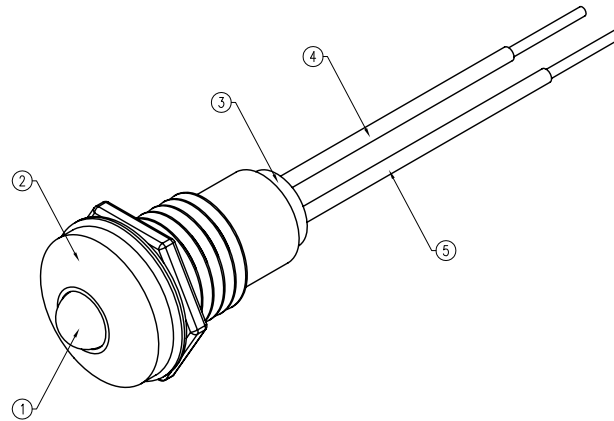
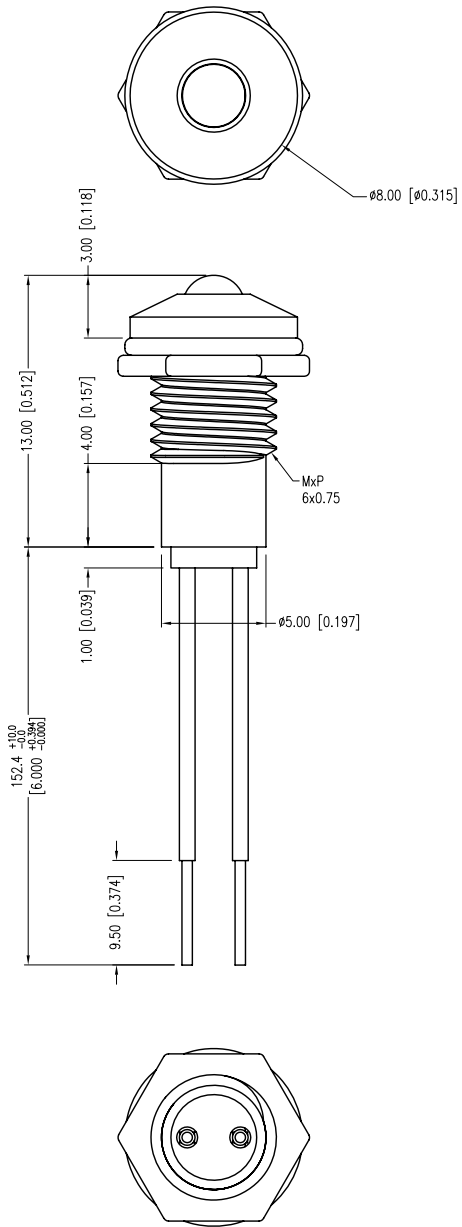
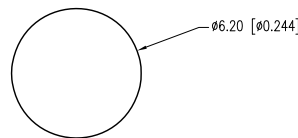


|             |                                     |      |      |
|-------------|-------------------------------------|------|------|
| PART NUMBER | SSI-LXR3612HGW-150                  | REV. | B    |
| DATE        | E.C.N. NUMBER AND REVISION COMMENTS |      | REV. |
| 10.30.01    | E.C.N. #10BRDR. & REDRAWN IN 3D.    |      | A    |
| 7.14.11     | E.C.N. #10BRDR. & REDRAWN.          |      | B    |



PANEL CUTOUT



ELECTRO-OPTICAL CHARACTERISTICS  $T_a=25^{\circ}\text{C}$   $I_f=20\text{mA}$

| PARAMETER             | MIN                  | TYP     | MAX     | UNITS    | UNITS                |
|-----------------------|----------------------|---------|---------|----------|----------------------|
| PEAK WAVELENGTH (R/G) |                      | 700/565 |         | nm       |                      |
| FORWARD VOLTAGE (R/G) |                      | 2.0/2.2 | 2.5/2.6 | Vf       |                      |
| REVERSE VOLTAGE       | 5.0                  |         |         | Vr       | $I_r=100\mu\text{A}$ |
| AXIAL INTENSITY (R/G) |                      | 3/20    |         | mcd      | $I_f=20\text{mA}$    |
| VIEWING ANGLE         |                      | 60      |         | 2x theta |                      |
| EMITTED COLOR:        | RED/GREEN            |         |         |          |                      |
| EPOXY LENS FINISH:    | MILKY WHITE DIFFUSED |         |         |          |                      |

LIMITS OF SAFE OPERATION AT 25°C

| PARAMETER               | MAX        | UNITS     |
|-------------------------|------------|-----------|
| PEAK FORWARD CURRENT*   | 150        | mA        |
| STEADY CURRENT          | 25         | mA        |
| POWER DISSIPATION (R/G) | 120/105    | mW        |
| DERATE FROM 25°C        | -1.6       | mW/°C     |
| OPERATING TEMP.         | -40 TO +85 | °C        |
| STORAGE TEMP.           | -40 TO +85 | °C        |
| SOLDERING TEMP.         | +260       | °C        |
| 2.0mm FROM BODY         | 3          | SEC. MAX. |

\*  $t < 10\mu\text{s}$

NOTES:

1. SSL-LX3054HGW, RED/GREEN LED, TRIM LEADS TO 5mm.
2. SSI-LXR3612 HOLDER, CHROME FINISH.
3. SSH-LXH1612BSS, BUSHING, INSERT AND CRIMP.
4. RED ANODE LEAD: LXP-WST26RDT0C, 26 AWG. STRANDED, RED INSULATION, CUT TO 157mm LONG, STRIP ENDS 2mm AND 9.5mm.
5. GREEN ANODE LEAD: LXP-WST26BLT0C, 26 AWG. STRANDED, BLACK INSULATION, CUT TO 157mm LONG, STRIP ENDS 2mm AND 9.5mm.
6. SOLDER LED LEADS TO WIRE LEADS.

\*UNLESS OTHERWISE SPECIFIED TOLERANCES PER DECIMAL PRECISION ARE: X=±1 (±0.039), X.X=±0.5 (±0.020), X.XX=±0.25 (±0.010), X.XXX=±0.127 (±0.005). LEAD SIZE=±0.05 (±0.002), LEAD LENGTH=±0.75 (±0.030). MIN= <sup>+DECIMAL PRECISION</sup> <sub>-0.00</sub> MAX.= <sup>+0.00</sup> <sub>-DECIMAL PRECISION</sub>



425 N. GARY AVE.  
CAROL STREAM, IL 60188-4900  
PHONE: +1.800.278.5666  
FAX: +1.630.315.2152  
WEB: WWW.LUMEX.COM  
MEMBER OF ITW PHOTONICS GROUP

QUASARBRITE T-3mm (T-1) 700/565nm RED/GREEN PANEL INDICATOR, MILKY WHITE DIFFUSED, 6" WIRE LEADS.

\*\*THE SPECIFICATIONS MAY CHANGE AT ANY TIME WITHOUT NOTICE DUE TO NEW MATERIALS OR PRODUCT IMPROVEMENT.\*\*

CONFIDENTIAL INFORMATION  
THE INFORMATION CONTAINED IN THIS DOCUMENT IS THE PROPERTY OF LUMEX INC. EXCEPT AS SPECIFICALLY AUTHORIZED IN WRITING BY LUMEX INC., THE HOLDER OF THIS DOCUMENT SHALL KEEP ALL INFORMATION CONTAINED HEREIN CONFIDENTIAL AND SHALL PROTECT SAME IN WHOLE OR IN PART FROM DISCLOSURE AND DISSEMINATION TO ALL THIRD PARTIES.

|        |           |           |     |
|--------|-----------|-----------|-----|
| DATE:  | 07.14.11  | DRAWN BY: | AB  |
| PAGE:  | 1 OF 1    | CHKD BY:  | KF  |
| SCALE: | NTS       | APRVD BY: | KF  |
| UNIT:  | mm [INCH] |           | (P) |