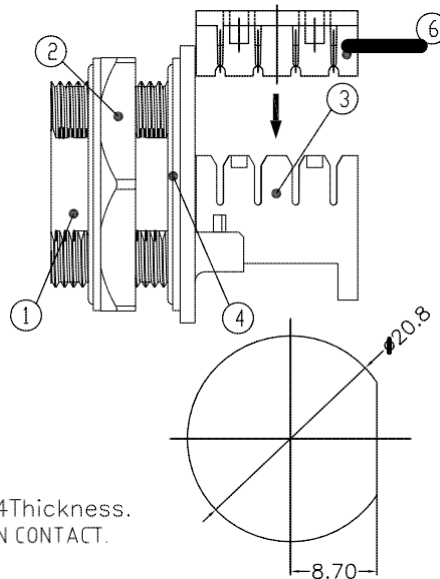


Note:
 1.PBT+30% Glass Fiber.
 2.PBT+30% Glass Fiber.
 3.ABS
 4.Silicon 70⁺ Material Certificate.
 5.ABS
 6.PC
 7.PBR C5191 (Phosphor Bronze)0.4Thickness.
 PLATING: GOLD 30 μ " PLATING OVER NICKEL IN CONTACT.
 TIN PLATING OVER NICKEL IN SOLDER AREA.



PANEL Cut-Out

UNIT:mm

Materials

- **Plastic Housing** : Engineering Temp. Thermoplastic.
Flammability Rating UL 94V-0.
- **Contacts** : Phosphor Bronze.
- **Plating** : Gold Plating Over Nickel In Contact.
Tin Plating Over Nickel In Solder Area.
- **Panel Thick** : 1.5~2.5mm



Ordering Information

3350A21230