

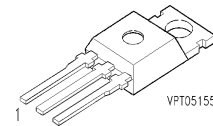
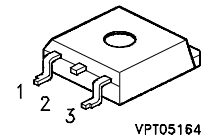
Smart Lowside Power Switch

Features

- Logic Level Input
- Input Protection (ESD)
- Thermal Shutdown
- Overload protection
- Short circuit protection
- Overvoltage protection
- Current limitation
- Status feedback with external input resistor
- Analog driving possible

Product Summary

| | | | |
|----------------------|--------------|------|----|
| Drain source voltage | V_{DS} | 60 | V |
| On-state resistance | $R_{DS(on)}$ | 18 | mΩ |
| Current limit | $I_{D(lim)}$ | 30 | A |
| Nominal load current | $I_{D(ISO)}$ | 19 | A |
| Clamping energy | E_{AS} | 6000 | mJ |

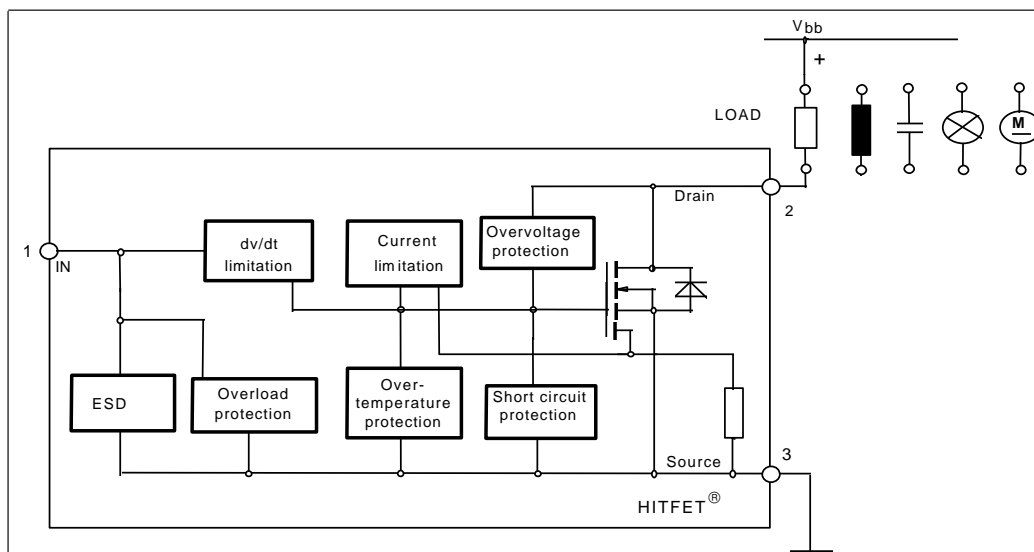


Application

- All kinds of resistive, inductive and capacitive loads in switching or linear applications
- μC compatible power switch for 12 V and 24 V DC applications
- Replaces electromechanical relays and discrete circuits

General Description

N channel vertical power FET in Smart SIPMOS® chip on chip technology. Fully protected by embedded protected functions.



Maximum Ratings at $T_j = 25\text{ °C}$ unless otherwise specified

| Parameter | Symbol | Value | Unit |
|--|--------------|-------------------------------|------|
| Drain source voltage | V_{DS} | 60 | V |
| Drain source voltage for short circuit protection | $V_{DS(SC)}$ | 32 | |
| Continuous input current ¹⁾ -0.2V $\leq V_{IN} \leq$ 10V $V_{IN} < -0.2V$ or $V_{IN} > 10V$ | I_{IN} | no limit $ I_{IN} \leq 2$ | mA |
| Operating temperature | T_j | - 40 ... +150 | °C |
| Storage temperature | T_{stg} | - 55 ... +150 | |
| Power dissipation $T_C = 25\text{ °C}$ | P_{tot} | 178 | W |
| Unclamped single pulse inductive energy $I_{D(ISO)} = 19\text{ A}$ | E_{AS} | 6000 | mJ |
| Electrostatic discharge voltage (Human Body Model) according to MIL STD 883D, method 3015.7 and EOS/ESD assn. standard S5.1 - 1993 | V_{ESD} | 3000 | V |
| Load dump protection $V_{LoadDump}^{2)} = V_A + V_S$ $V_{IN} = \text{low or high}; V_A = 13.5\text{ V}$ $t_d = 400\text{ ms}, R_l = 2\ \Omega, I_D = 0,5 \cdot 19\text{ A}$ $t_d = 400\text{ ms}, R_l = 2\ \Omega, I_D = 19\text{ A}$ | V_{LD} | 110 92 | |
| DIN humidity category, DIN 40 040 | | E | |
| IEC climatic category; DIN IEC 68-1 | | 40/150/56 | |

Thermal resistance

| | | | |
|---|------------|-----|-----|
| junction - case: | R_{thJC} | 0.7 | K/W |
| junction - ambient: | R_{thJA} | 75 | |
| SMD version, device on PCB: ³⁾ | R_{thJA} | 45 | |

¹⁾ A sensor holding current of 500 μA has to be guaranteed in the case of thermal shutdown (see also page 3)

²⁾ $V_{LoadDump}$ is setup without the DUT connected to the generator per ISO 7637-1 and DIN 40839

³⁾ Device on 50mm*50mm*1.5mm epoxy PCB FR4 with 6cm² (one layer, 70 μm thick) copper area for Drain connection. PCB is vertical without blown air.

Electrical Characteristics

| Parameter at $T_j=25^\circ\text{C}$, unless otherwise specified | Symbol | Values | | | Unit |
|--|--------------|------------|----------|----------|------------------|
| | | min. | typ. | max. | |
| Characteristics | | | | | |
| Drain source clamp voltage $T_j = -40 \dots +150^\circ\text{C}$, $I_D = 10 \text{ mA}$ | $V_{DS(AZ)}$ | 60 | - | 73 | V |
| Off state drain current $V_{DS} = 32 \text{ V}$, $T_j = -40\dots+150^\circ\text{C}$, $V_{IN} = 0 \text{ V}$ | I_{DSS} | - | - | 25 | μA |
| Input threshold voltage $I_D = 3,9 \text{ mA}$ | $V_{IN(th)}$ | 1.3 | 1.7 | 2.2 | V |
| Input current - normal operation, $I_D < I_{D(lim)}$: $V_{IN} = 10 \text{ V}$ | $I_{IN(1)}$ | - | - | 100 | μA |
| Input current - current limitation mode, $I_D = I_{D(lim)}$: $V_{IN} = 10 \text{ V}$ | $I_{IN(2)}$ | - | 400 | 1000 | |
| Input current - after thermal shutdown, $I_D = 0 \text{ A}$: $V_{IN} = 10 \text{ V}$ | $I_{IN(3)}$ | 1500 | 3000 | 6000 | |
| Input holding current after thermal shutdown $T_j = 25^\circ\text{C}$ $T_j = 150^\circ\text{C}$ | $I_{IN(H)}$ | 500 300 | - - | - - | |
| On-state resistance $I_D = 19 \text{ A}$, $V_{IN} = 5 \text{ V}$, $T_j = 25^\circ\text{C}$ $I_D = 19 \text{ A}$, $V_{IN} = 5 \text{ V}$, $T_j = 150^\circ\text{C}$ | $R_{DS(on)}$ | - - | 18 30 | 22 44 | $\text{m}\Omega$ |
| On-state resistance $I_D = 19 \text{ A}$, $V_{IN} = 10 \text{ V}$, $T_j = 25^\circ\text{C}$ $I_D = 19 \text{ A}$, $V_{IN} = 10 \text{ V}$, $T_j = 150^\circ\text{C}$ | $R_{DS(on)}$ | - - | 14 25 | 18 36 | $\text{m}\Omega$ |
| Nominal load current (ISO 10483) $V_{IN} = 10 \text{ V}$, $V_{DS} = 0.5 \text{ V}$, $T_C = 85^\circ\text{C}$ | $I_{D(ISO)}$ | 19 | | | A |

Electrical Characteristics

| Parameter at $T_j=25^\circ\text{C}$, unless otherwise specified | Symbol | Values | | | Unit |
|---|--------|--------|------|------|------|
| | | min. | typ. | max. | |

Characteristics

| | | | | | |
|---|--------------|----|-----|----|---|
| Initial peak short circuit current limit $V_{IN} = 10\text{ V}$, $V_{DS} = 12\text{ V}$ | $I_{D(SCP)}$ | - | 130 | - | A |
| Current limit ¹⁾ $V_{IN} = 10\text{ V}$, $V_{DS} = 12\text{ V}$, $t_m = 350\ \mu\text{s}$, $T_j = -40\dots+150\ ^\circ\text{C}$ | $I_{D(lim)}$ | 30 | 40 | 55 | |

Dynamic Characteristics

| | | | | | |
|---|--------------------|---|----|-----|------------------------|
| Turn-on time V_{IN} to 90% I_D : $R_L = 1\ \Omega$, $V_{IN} = 0$ to 10 V , $V_{bb} = 12\text{ V}$ | t_{on} | - | 40 | 100 | μs |
| Turn-off time V_{IN} to 10% I_D : $R_L = 1\ \Omega$, $V_{IN} = 10$ to 0 V , $V_{bb} = 12\text{ V}$ | t_{off} | - | 70 | 170 | |
| Slew rate on 70 to 50% V_{bb} : $R_L = 1\ \Omega$, $V_{IN} = 0$ to 10 V , $V_{bb} = 12\text{ V}$ | $-dV_{DS}/dt_{on}$ | - | 1 | 3 | $\text{V}/\mu\text{s}$ |
| Slew rate off 50 to 70% V_{bb} : $R_L = 1\ \Omega$, $V_{IN} = 10$ to 0 V , $V_{bb} = 12\text{ V}$ | dV_{DS}/dt_{off} | - | 1 | 3 | |

Protection Functions

| | | | | | |
|--|----------|--------------|--------|--------|------------------|
| Thermal overload trip temperature | T_{jt} | 150 | 165 | - | $^\circ\text{C}$ |
| Unclamped single pulse inductive energy $I_D = 19\text{ A}$, $T_j = 25\ ^\circ\text{C}$, $V_{bb} = 32\text{ V}$ $I_D = 19\text{ A}$, $T_j = 150\ ^\circ\text{C}$, $V_{bb} = 32\text{ V}$ | E_{AS} | 6000 1800 | - - | - - | mJ |

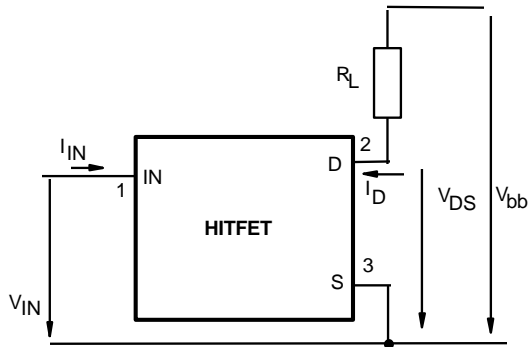
Inverse Diode

| | | | | | |
|---|----------|---|-----|---|---|
| Inverse diode forward voltage $I_F = 5*19\text{ A}$, $t_m = 300\ \mu\text{s}$, $V_{IN} = 0\text{ V}$ | V_{SD} | - | 1.1 | - | V |
|---|----------|---|-----|---|---|

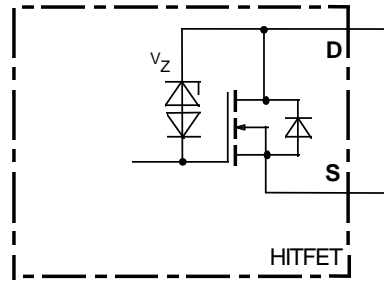
¹Device switched on into existing short circuit (see diagram Determination of $I_{D(lim)}$). Dependant on the application, these values might be exceeded for max. 50 μs in case of short circuit occurs while the device is on condition

Block Diagramm

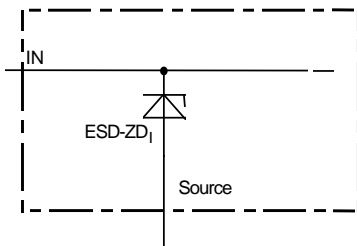
Terms



Inductive and overvoltage output clamp

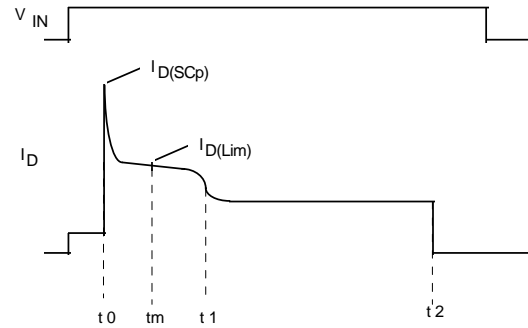


Input circuit (ESD protection)



ESD zener diodes are not designed for DC current > 2 mA @ $V_{IN} > 10V$.

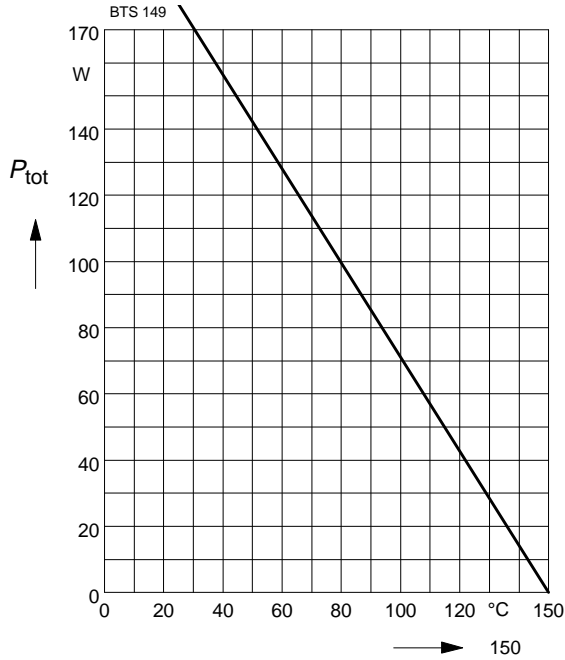
Short circuit behaviour



- t_0 : Turn on into a short circuit
- t_m : Measurementpoint for $I_{D(Lim)}$
- t_1 : Activation of the fast temperature sensor and regulation of the drain current to a level wher the junction temperature remains constant.
- t_2 : Thermal shutdown caused by the second temperature sensor, achieved by an integrating measurement.

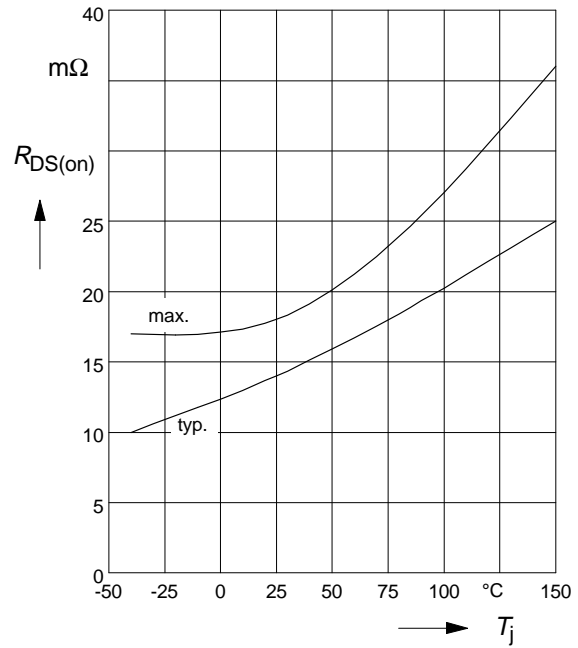
Maximum allowable power dissipation

$$P_{tot} = f(T_C)$$



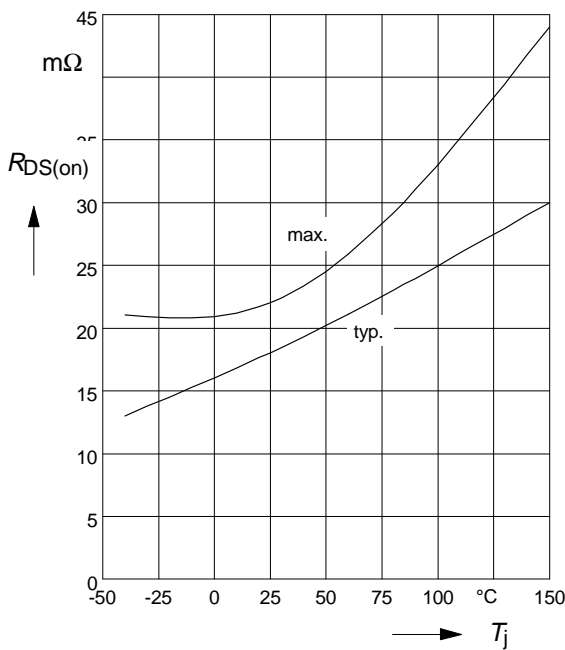
On-state resistance

$$R_{ON} = f(T_j); I_D=19A; V_{IN}=10V$$



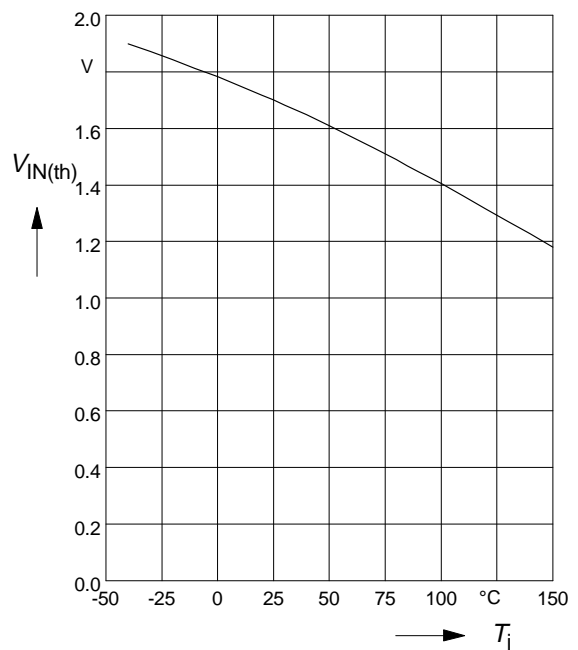
On-state resistance

$$R_{ON} = f(T_j); I_D=19A; V_{IN}=5V$$



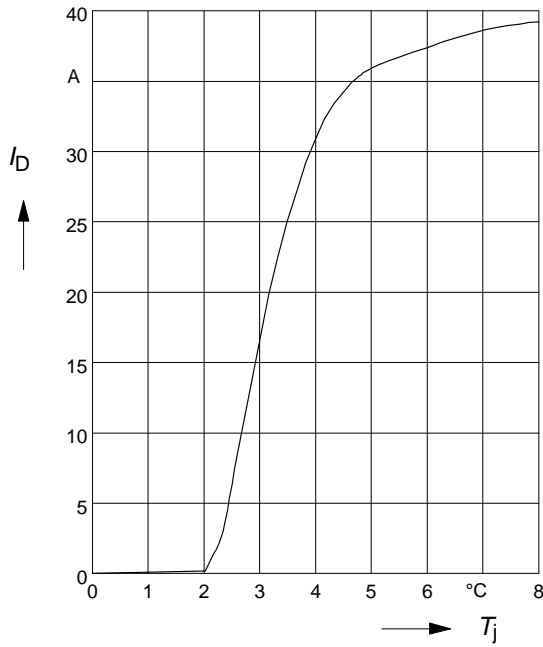
Typ. input threshold voltage

$$V_{IN(th)} = f(T_j); I_D=3,9A; V_{DS}=12V$$



Typ. transfer characteristics

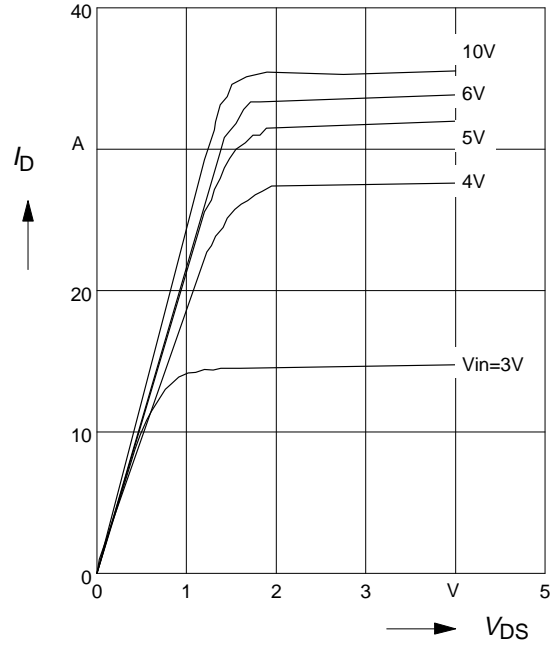
$I_D = f(V_{IN}); V_{DS}=12V; T_j=25^\circ C$



Typ. output characteristic

$I_D = f(V_{DS}); T_j=25^\circ C$

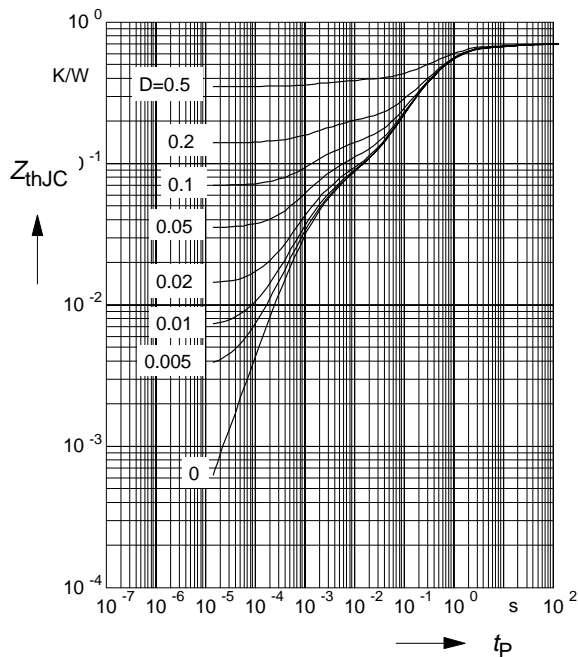
Parameter: V_{IN}



Transient thermal impedance

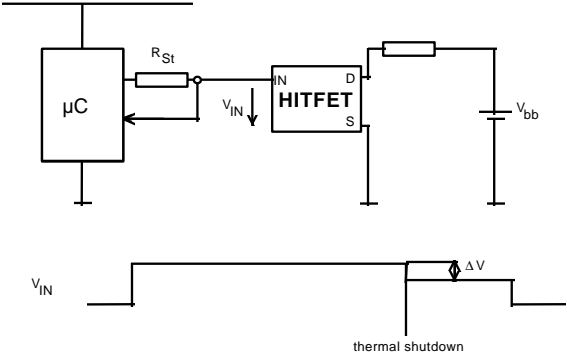
$Z_{thJC} = f(t_p)$

Parameter: $D=t_p/T$



Application examples:

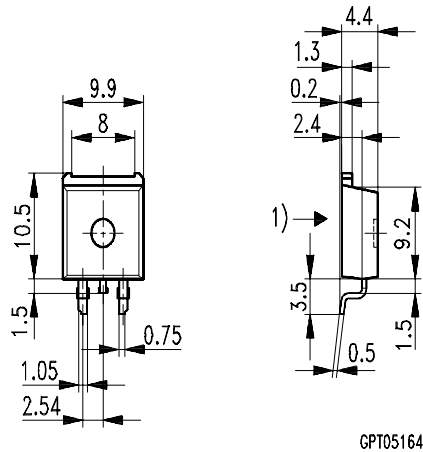
Status signal of thermal shutdown by monitoring input current



$$\Delta V = R_{ST} * I_{IN(3)}$$

Package and ordering code
all dimensions in mm

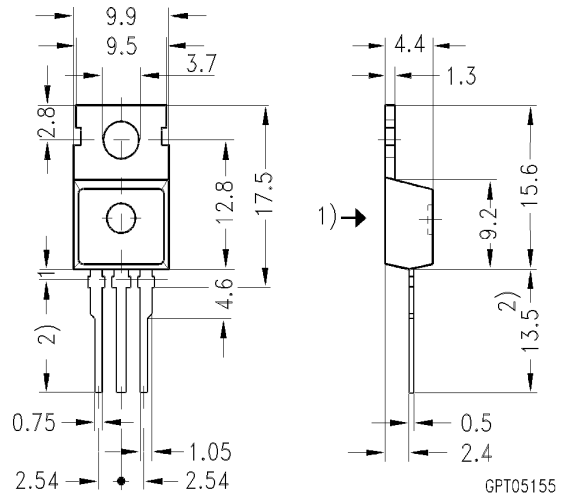
Ordering code: Q67060-S6503-A3



GPT05164

1) shear and punch direction no burrs this surface

Ordering Code: Q67060-S6503-A2



GPT05155

- 1) punch direction, burr max. 0.04
- 2) dip tinning
- 3) max. 14.5 by dip tinning press burr max. 0.05

Edition 7.97

**Published by Siemens AG,
Bereich Halbleiter Vertrieb,
Werbung, Balanstraße 73,
81541 München**

© Siemens AG 1997

All Rights Reserved.

Attention please!

As far as patents or other rights of third parties are concerned, liability is only assumed for components, not for applications, processes and circuits implemented within components or assemblies.

The information describes a type of component and shall not be considered as warranted characteristics.

Terms of delivery and rights to change design reserved.

For questions on technology, delivery and prices please contact the Semiconductor Group Offices in Germany or the Siemens Companies and Representatives worldwide (see address list).

Due to technical requirements components may contain dangerous substances. For information on the types in question please contact your nearest Siemens Office, Semiconductor Group.

Siemens AG is an approved CECC manufacturer.

Packing

Please use the recycling operators known to you. We can also help you - get in touch with your nearest sales office. By agreement we will take packing material back, if it is sorted. You must bear the costs of transport.

For packing material that is returned to us unsorted or which we are not obliged to accept, we shall have to invoice you for any costs incurred.

Components used in life-support devices or systems must be expressly authorized for such purpose!

Critical components¹ of the Semiconductor Group of Siemens AG, may only be used in life-support devices or systems² with the express written approval of the Semiconductor Group of Siemens AG.

- 1) A critical component is a component used in a life-support device or system whose failure can reasonably be expected to cause the failure of that life-support device or system, or to affect its safety or effectiveness of that device or system.
- 2) Life support devices or systems are intended (a) to be implanted in the human body, or (b) to support and/or maintain and sustain and/or protect human life. If they fail, it is reasonable to assume that the health of the user or other persons may be endangered.