



SMD LED
Product Data Sheet
LTSA-M67KUHETA

Spec No. :
Created Date: 2017/07/19
Revision: - 1.0

BNS-OD-FC001/A

SMD LED
LTSA-M67KUHETA

SMD LED

LTSA-M67KUHETA

<u>Rev</u>	<u>Description</u>	<u>By</u>	<u>Date</u>
1.0	New data sheet	Andy Chia	07/19/2017
Above data for PD and Customer tracking only			

Customer Name:

Customer Signature:

Print Name:

LiteON Sales Signature:

Print Name:

SMD LED LTSA-M67KUHETA

1. Description

SMD LEDs from Lite-On are available in miniature sizes and special configurations for automated PC board assembly and space-sensitive applications. These SMD LEDs are suitable for use a wide variety of electronic equipment, e.g.: cordless and cellular phones, notebook computers and network systems etc..

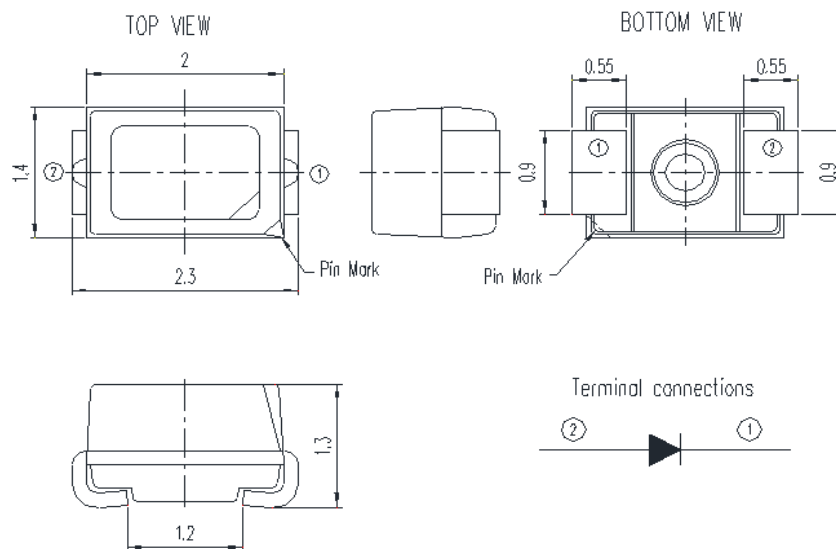
1.1 Features

- Meet ROHS
- Package in 8mm tape on 7" diameter reels
- Preconditioning: accelerate to JEDEC level 2a
- Qualification refer to AEC-Q101 Ver. D
- EIA STD package
- I.C. compatible
- Compatible with automatic placement equipment
- Compatible with infrared reflow solder process

1.2 Applications

- Engineering vehicles: accessory applications

2. Package Dimensions



Part No.	Lens Color	Source / Color
LTSA-M67KUHETA	Yellow Green	InGaN /Ice Blue

Notes:

1. All dimensions are in millimeters.
2. Tolerance is ± 0.2 mm (.008") unless otherwise noted.

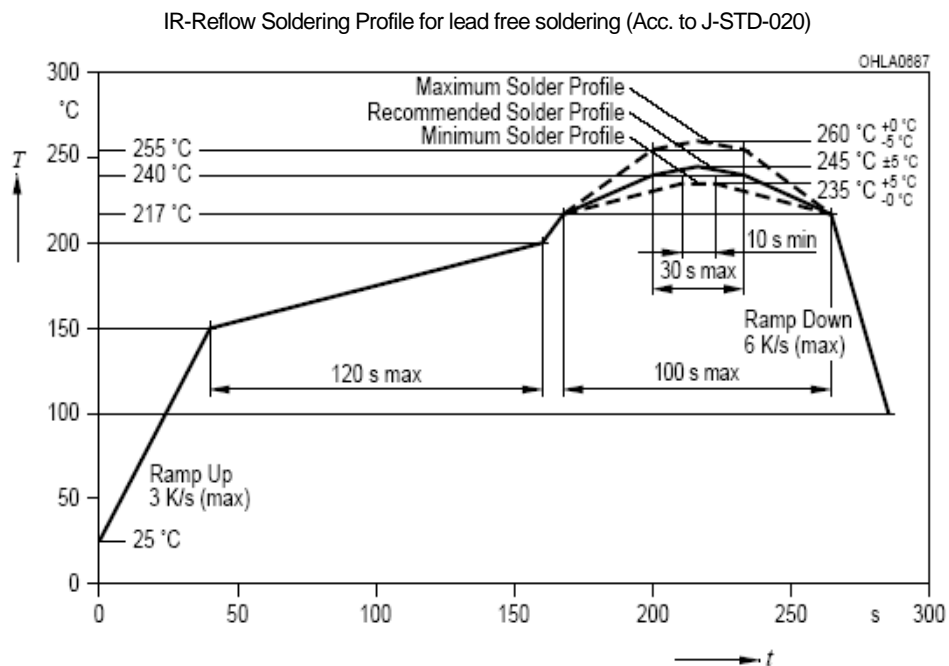
SMD LED LTSA-M67KUHETA

3. Rating and Characteristics

3.1 Absolute Maximum Ratings at Ta=25°C

Parameter	LTSA-M67KUHETA	Unit
Power Dissipation	96	mW
Peak Forward Current (1/10 Duty Cycle, 0.1ms Pulse Width)	100	mA
DC Forward Current	30	mA
Operating Temperature Range	-40°C to +100°C	
Storage Temperature Range	-40°C to + 100°C	

3.2 Suggest IR Reflow Condition for Pb Free Process:



**SMD LED
LTSA-M67KUHETA**

3.3 Electrical / Optical Characteristics at Ta=25°C

Parameter	Symbol	Part No. LTSA-	Min.	Typ.	Max.	Unit.	Test Condition
Luminous Intensity	IV	M67KUHETA	90		224	mcd	IF = 2mA Note 1
Viewing Angle	2θ _{1/2}	M67KUHETA		120		deg	Note 2 (Fig.2)
Chromaticity	x	M67KUHETA		0.185		-	IF = 2mA Note 3
Coordinates	y	M67KUHETA		0.160			
Forward Voltage	VF	M67KUHETA	2.4	-	3.2	V	IF = 2mA Note 4
Reverse Current	IR	M67KUHETA	-	-	10	μA	VR =5V Note 5

Notes:

1. Luminous intensity is measured with a light sensor and filter combination that approximates the CIE eye-response curve
2. θ_{1/2} is the off-axis angle at which the luminous intensity is half the axial luminous intensity.
3. The chromaticity coordinates (x , y) is derived from the 1931 CIE chromaticity diagram
4. Forward Voltage Tolerance is +/- 0.1 volt.
5. Reverse Voltage (VR) condition is applied to IR test only. The device is not designed for reverse operation.

**SMD LED
LTSA-M67KUHETA**

4. Bin Rank

■ **Vf Rank**

Forward Voltage		Color :Ice Blue White , Unit : V @2mA	
Bin Code	Min.	Max.	
F	2.4	2.6	
G	2.6	2.8	
H	2.8	3.0	
J	3.0	3.2	

Tolerance on each Forward Voltage bin is +/-0.1 volt

■ **IV Rank**

Luminous Spec		Color :Ice Blue White , @2mA	
Bin Code	Luminous Intensity(mcd)		
	Min.	Max.	
Q2	90	112	
R1	112	140	
R2	140	180	
S1	180	224	

Tolerance on each Luminous Flux bin is +/- 11%

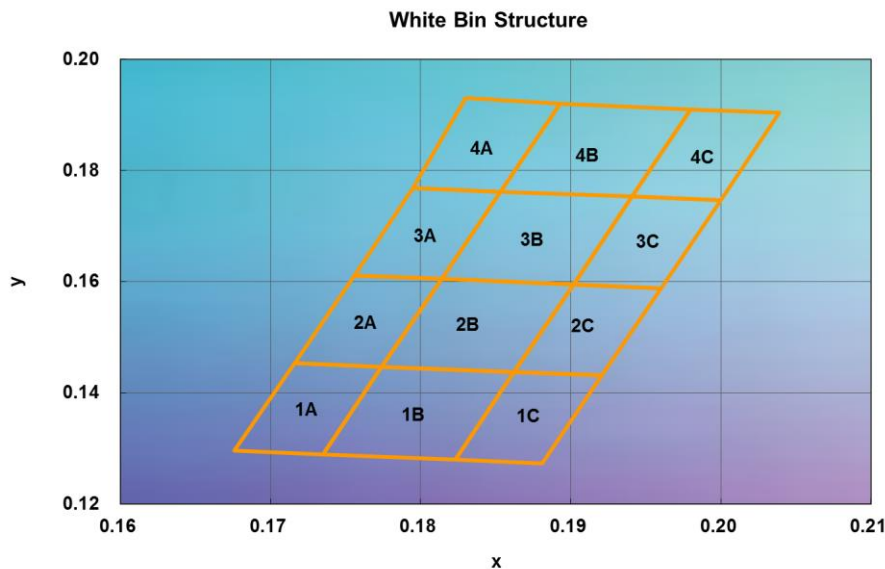
SMD LED LTSA-M67KUHETA

■ Color Rank

Color Bin Table						Test @2mA					
Bin Code	Color Bin Limits					Bin Code	Color Bin Limits				
	CIE-	Point1	Point2	Point3	Point4		CIE-	Point1	Point2	Point3	Point4
1A	x	0.1862	0.1823	0.1881	0.1921	3B	x	0.1941	0.1902	0.1960	0.2000
	y	0.1437	0.1280	0.1273	0.1431		y	0.1753	0.1595	0.1588	0.1746
2A	x	0.1774	0.1735	0.1823	0.1862	4B	x	0.1853	0.1814	0.1902	0.1941
	y	0.1447	0.1289	0.1280	0.1437		y	0.1762	0.1605	0.1595	0.1753
3A	x	0.1716	0.1676	0.1735	0.1774	1C	x	0.1795	0.1756	0.1814	0.1853
	y	0.1454	0.1296	0.1289	0.1447		y	0.1769	0.1611	0.1605	0.1762
4A	x	0.1902	0.1862	0.1921	0.1960	2C	x	0.1980	0.1941	0.2000	0.2039
	y	0.1595	0.1437	0.1431	0.1588		y	0.1910	0.1753	0.1746	0.1904
1B	x	0.1814	0.1774	0.1862	0.1902	3C	x	0.1893	0.1853	0.1941	0.1980
	y	0.1605	0.1447	0.1437	0.1595		y	0.1920	0.1762	0.1753	0.1910
2B	x	0.1756	0.1716	0.1774	0.1814	4C	x	0.1830	0.1795	0.1853	0.1893
	y	0.1611	0.1454	0.1447	0.1605		y	0.1930	0.1769	0.1762	0.1920

Tolerance on each Hue bin (x, y) bin is +/- 0.01.

■ Chromaticity Coordinate



SMD LED LTSA-M67KUHETA

5. Typical Electrical / Optical Characteristics Curves.

(25°C Ambient Temperature Unless Otherwise Noted)

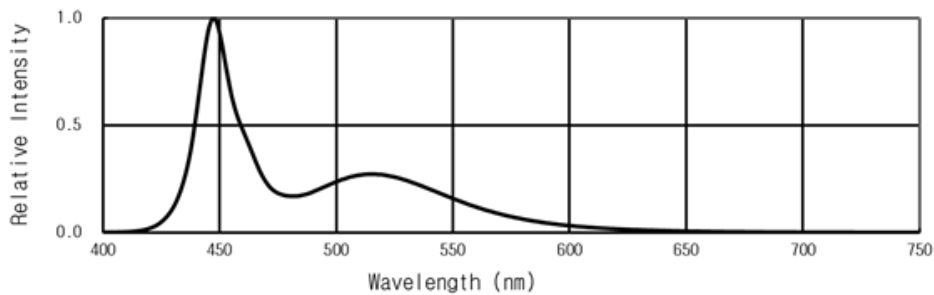


Fig. 1 RELATIVE INTENSITY V.S. WAVELENGTH

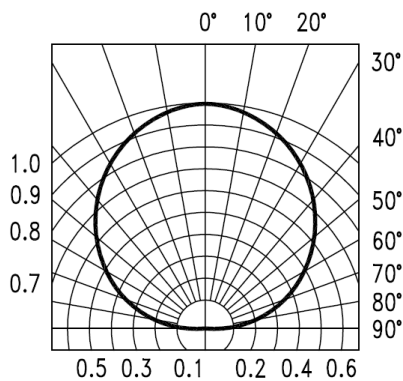


Fig. 2 SPATIAL DISTRIBUTION

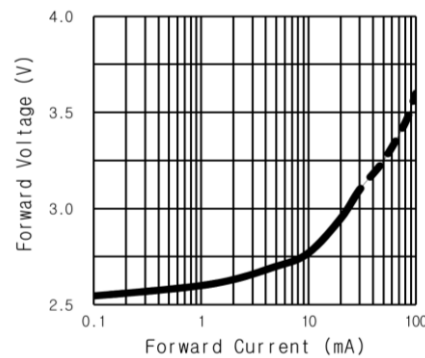


Fig. 3 FORWARD VOLTAGE V.S. FORWARD CURRENT

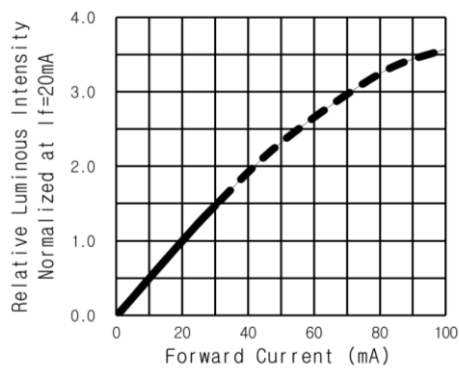


Fig. 4 RELATIVE LUMINOUS INTENSITY V.S. FORWARD CURRENT

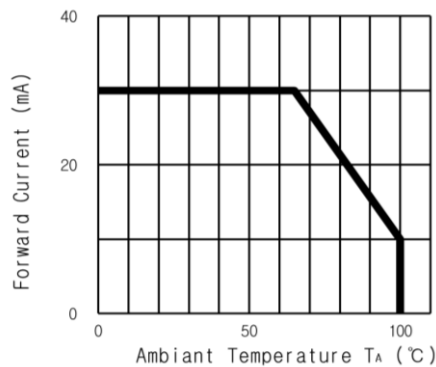


Fig. 5 FORWARD CURRENT DERATING CURVE

SMD LED LTSA-M67KUHETA

6. User Guide

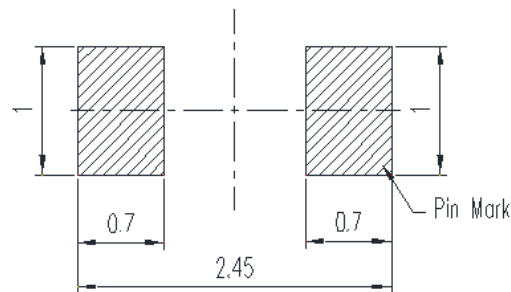
6.1 Cleaning

Do not use unspecified chemical liquid to clean LED they could harm the package. If cleaning is necessary, immerse the LED in ethyl alcohol or isopropyl alcohol at normal temperature for less one minute.

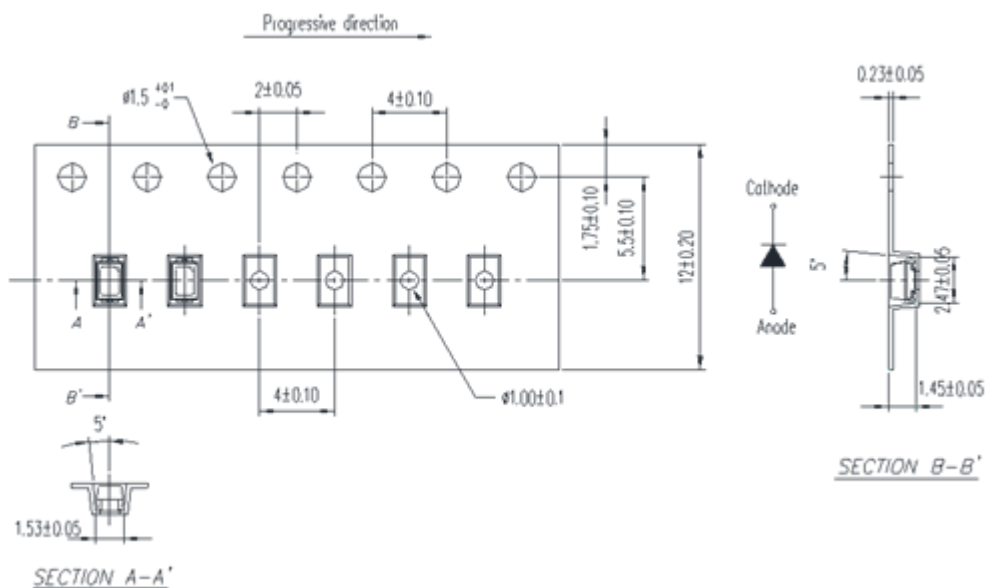
6.2 Recommend Printed Circuit Board Attachment Pad

Infrared / vapor phase

Reflow Soldering



6.3 Package Dimensions of Tape & Reel

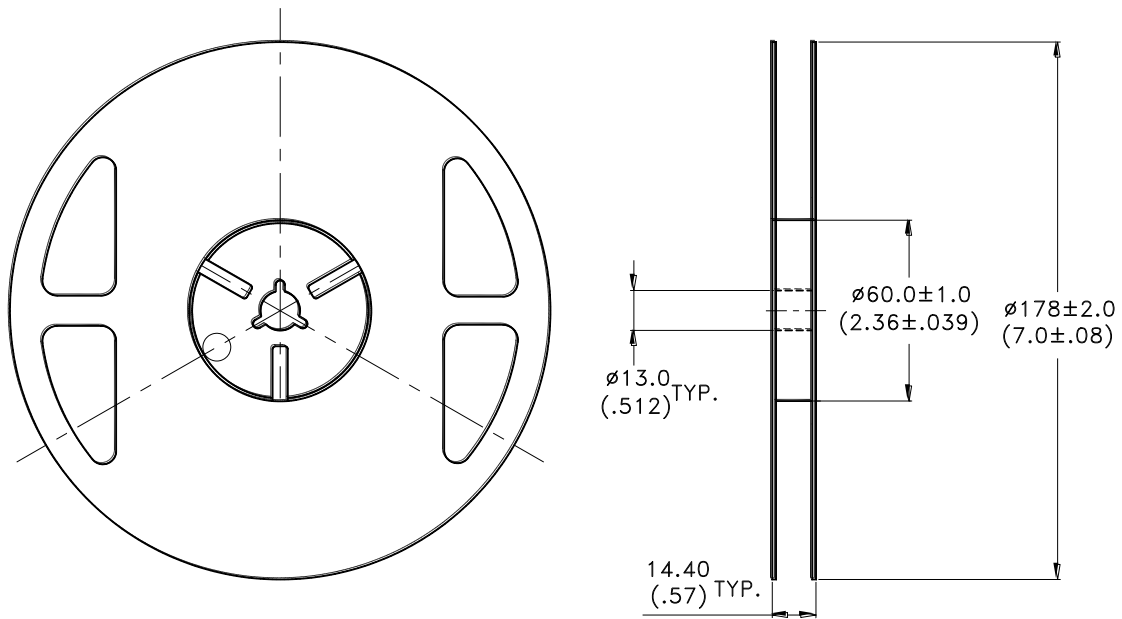


Note:

1. All dimensions are in millimeters (inches).

**SMD LED
LTSA-M67KUHETA**

6.4 Package Dimensions of Reel



Notes:

1. Empty component pockets sealed with top cover tape.
2. 7 inch reel 2000 pieces per reel.
3. The maximum number of consecutive missing lamps is two.
4. In accordance with ANSI/EIA 481 specifications.

SMD LED LTSA-M67KUHETA

7. Cautions

7.1 Application

The LEDs described here are intended to be used for ordinary electronic equipment (such as office equipment, communication equipment and household applications). Consult Liteon's Sales in advance for information on applications in which exceptional reliability is required, particularly when the failure or malfunction of the LEDs may directly jeopardize life or health (such as in aviation, transportation, traffic control equipment, medical and life support systems and safety devices).

7.2 Storage

This product is qualified as Moisture sensitive Level 2a per JEDEC J-STD-020 Precaution when handling this moisture sensitive product is important to ensure the reliability of the product.

The package is sealed:

The LEDs should be stored at 30°C or less and 70%RH or less. And the LEDs are limited to use within one year, while the LEDs is packed in moisture-proof package with the desiccants inside.

The package is opened:

The storage ambient for the LEDs should not exceed 30°C temperature and 60% relative humidity.

It is recommended that LEDs out of their original packaging are IR-reflowed within 4 weeks.

For extended storage out of their original packaging, it is recommended that the LEDs be stored in a sealed container with appropriate desiccant, or in a desiccators with nitrogen ambient.

LEDs stored out of their original packaging for more than 4 weeks should be baked at about 60 °C for at least 48 hours before solder assembly.

7.3 Cleaning

Use alcohol-based cleaning solvents such as isopropyl alcohol to clean the LED if necessary.

7.4 Soldering

Recommended soldering conditions:

Reflow soldering		Soldering iron	
Pre-heat	150~200°C	Temperature	300°C Max.
Pre-heat time	120 sec. Max.	Soldering time	3 sec. Max. (one time only)
Peak temperature	260°C Max.		
Soldering time	10 sec. Max.(Max. two times)		

Notes:

Because different board designs use different number and types of devices, solder pastes, reflow ovens, and circuit boards, no single temperature profile works for all possible combinations.

However, you can successfully mount your packages to the PCB by following the proper guidelines and PCB-specific characterization.

SMD LED LTSA-M67KUHETA

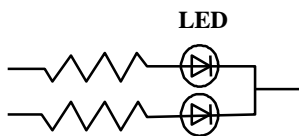
LITE-ON Runs both component-level verification using in-house **KYRAMX98** reflow chambers and board-level assembly. The results of this testing are verified through post-reflow reliability testing. Profiles used at LITE-ON are based on JEDEC standards to ensure that all packages can be successfully and reliably surface mounted.

Figure on page3 shows a sample temperature profile compliant to JEDEC standards. You can use this example as a generic target to set up your reflow process. You should adhere to the JEDEC profile limits as well as specifications and recommendations from the solder paste manufacturer to avoid damaging the device and create a reliable solder joint.

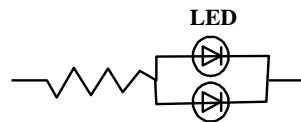
7.5 Drive Method

A LED is a current-operated device. In order to ensure intensity uniformity on multiple LEDs connected in parallel in an application, it is recommended that a current limiting resistor be incorporated in the drive circuit, in series with each LED as shown in Circuit A below.

Circuit model A



Circuit model B



(A) Recommended circuit.

(B) The brightness of each LED might appear different due to the differences in the I-V characteristics of those LEDs.

7.6 ESD (Electrostatic Discharge)

Static Electricity or power surge will damage the LED.

Suggestions to prevent ESD damage:

- Use of a conductive wrist band or anti-electrostatic glove when handling these LEDs.
- All devices, equipment, and machinery must be properly grounded.
- Work tables, storage racks, etc. should be properly grounded.
- Use ion blower to neutralize the static charge which might have built up on surface of the LED's plastic lens as a result of friction between LEDs during storage and handling.

ESD-damaged LEDs will exhibit abnormal characteristics such as high reverse leakage current, low forward voltage, or "no lightup" at low currents.

To verify for ESD damage, check for "lightup" and Vf of the suspect LEDs at low currents.

The Vf of "good" LEDs should be >2.0V@0.1mA for InGaN product and >1.4V@0.1mA for AlInGaP product.

**SMD LED
LTSA-M67KUHETA**

8. Reliability Test

8.1 Test Item/Condition (Based on AEC-Q101 Ver. D):

No.	Test item	Test condition	# of Lots	Sample size Per Lot	Pass Criteria	Reference standard
2	Pre-conditioning	MSL 2a 125°C, 24 hrs baking Moisture Soak 60°C/60% 168 hrs Interval: 15mins ~ 4 hours to do IR-Reflow	3	462	#1	JESD22 A-113
5b+	High Temperature Forward Bias (HTFB)	Ta=65± 2°C IF: 30mA 1000 hrs	3	77	#1	JESD22 A-108
5b	High Temperature Forward Bias (HTFB)	Ta=100 ± 2°C IF: 10mA 1000 hrs	3	77	#1	JESD22 A-108
7	Temperature Cycle (TC)	-40°C(+0, -10) to 100°C(+15,-0) 10 min 10 min 10 min 1000 cycles	3	77	#1	JESD22 A-104 Appendix 6
9a	High Temperature High Humidity Bias (HTHHB)	Ta=85 ± 2°C, 85 ± 5% RH IF: 18mA 1000 hrs	3	77	#1	JESD22 A-101
10alt	Power and Temperature Cycle (PTC)	-40°C (+0, -10) to 85°C (+10,-0) 10 min 20 min 10 min IF: 18mA 1 cycle: 2 min. on / 2 min. off 15000 cycles (1000 hrs)	3	77	#1	JESD22 A-105
11	ESD Characterization	HBM 2000V, CDM 1000V	1	30 each HBM/CDM	#1	AEC Q101-001, and Q101-005
20	Resistance to Solder Heat	Tsld=260°C, 10sec. 3times	1	30	#1	JESD22A-111
21	Solder ability	Tsld = 245± 5°C, 5sec, Leas-free Solder	1	10	#2	J-STD-002 JESD22B102

SMD LED LTSA-M67KUHETA

9. Others

The appearance and specifications of the product may be modified for improvement without prior notice.

10. Suggested Checking List

Training and Certification

1. Everyone working in a static-safe area is ESD-certified?
2. Training records kept and re-certification dates monitored?

Static-Safe Workstation & Work Areas

1. Static-safe workstation or work-areas have ESD signs?
2. All surfaces and objects at all static-safe workstation and within 1 ft measure less than 100V?
3. All ionizer activated, positioned towards the units?
4. Each work surface mats grounding is good?

Personnel Grounding

1. Every person (including visitors) handling ESD sensitive (ESDS) items wears wrist strap, heel strap or conductive shoes with conductive flooring?
2. If conductive footwear used, conductive flooring also present where operator stand or walk?
3. Garments, hairs or anything closer than 1 ft to ESD items measure less than 100V*?
4. Every wrist strap or heel strap/conductive shoes checked daily and result recorded for all DLs?
5. All wrist strap or heel strap checkers calibration up to date?

Note: *50V for InGaN LED.

Device Handling

1. Every ESDS items identified by EIA-471 labels on item or packaging?
2. All ESDS items completely inside properly closed static-shielding containers when not at static-safe workstation?
3. No static charge generators (e.g. plastics) inside shielding containers with ESDS items?
4. All flexible conductive and dissipative package materials inspected before reuse or recycles?

Others

1. Audit result reported to entity ESD control coordinator?
2. Corrective action from previous audits completed?
3. Are audit records complete and on file?