



MS Series

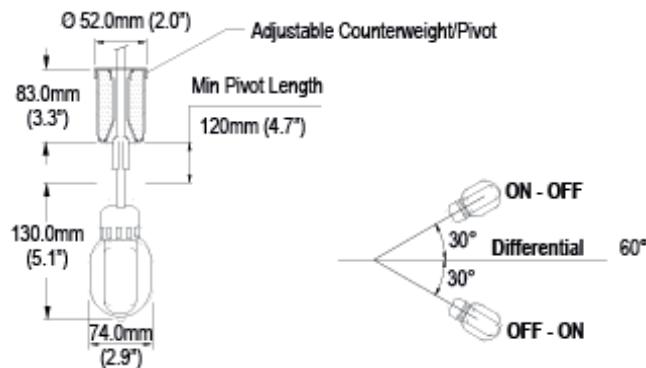
The MS series of cable end float switches are designed for controlling levels in large tanks, cisterns or reservoirs and can be directly installed on submersible pumps. The casing is manufactured in blow moulded Polyethylene (HDPE), with 5m PVC cable with protective earth conductor as standard. The switching element is a microswitch, with UL, VDE and CENELEC approvals, activated by a moving stainless steel ball and having an electrical life of 200,000 operations. Non-hygroscopic closed-cell expanded polyurethane is injected around the switch housing within the outer casing, hermetically sealing the unit. It is capable of working down to 100 metres depth in water.

The “U” version with polyurethane cable is for use in fuel oils.



Part No.	Contact Form	Switching Current Max. (Amps)			Power Rating Max.		Switching Voltage Max.		Cable Matl.	Cable Length *	Body Matl.	Temp. Range		Max. Pressure
		Resistive	AC	Inductive	AC (VA)	DC (W)	AC	DC				°C	°F	
MS10A	N/O	10	4	1	750	180	250	110	PVC	5m	HDPE	0-55	32-131	10 bar
MS10AU	N/O	10	4	1	750	180	250	110	PUR	5m	HDPE	0-55	32-131	10 bar
MS10B	N/C	10	4	1	750	180	250	110	PVC	5m	HDPE	0-55	32-131	10 bar
MS10BU	N/C	10	4	1	750	180	250	110	PUR	5m	HDPE	0-55	32-131	10 bar
MS10C	C/O	10	4	1	750	180	250	110	PVC	5m	HDPE	0-55	32-131	10 bar
MS10CU	C/O	10	4	1	750	180	250	110	PUR	5m	HDPE	0-55	32-131	10 bar
MS20A	N/O	20	8	2	1500	360	250	110	PVC	5m	HDPE	0-55	32-131	10 bar
MS20AU	N/O	20	8	2	1500	360	250	110	PUR	5m	HDPE	0-55	32-131	10 bar
MS20B	N/C	20	8	2	1500	360	250	110	PVC	5m	HDPE	0-55	32-131	10 bar
MS20BU	N/C	20	8	2	1500	360	250	110	PUR	5m	HDPE	0-55	32-131	10 bar
MS20C	C/O	20	8	2	1500	360	250	110	PVC	5m	HDPE	0-55	32-131	10 bar
MS20CU	C/O	20	8	2	1500	360	250	110	PUR	5m	HDPE	0-55	32-131	10 bar

* = protective earth wire included



- Direct power switching
- Cable mounting
- 100 metre depth capability

Cynergy3 Components Ltd
7 Cobham Road
Ferndown Industrial Estate
Wimborne
Dorset BH21 7PE
Tel: +44 (0) 1202 897969
sales@cynergy3.com

ISO 9001 CERTIFIED

MS 2015

© 2015 Cynergy3 Components, All Rights Reserved. Specifications are subject to change without prior notice. Cynergy3 Components and the Cynergy3 Components logo are trademarks of Cynergy3 Components Limited.

www.cynergy3.com

MS Series



Part Numbering System

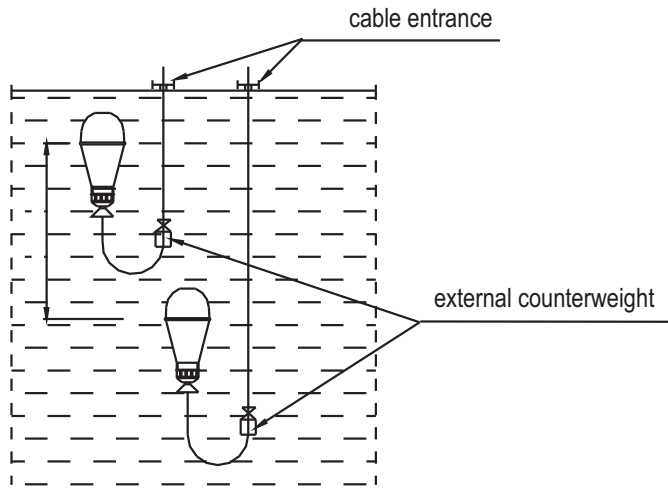
MS 10 A U 10

Series _____
Max. current _____
Contact Form _____
 A = n/o
 B = n/c
 C = c/o

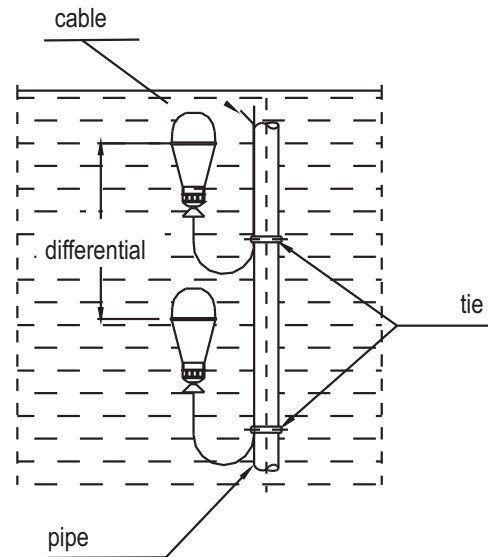
Cable length in metres:
 Blank = 5M standard

Cable covering:
 Blank = PVC
 U = Polyurethane
 W = WRC approved (see MS WRAS.pdf)

Installation



wiring diagram for filling pump



wiring diagram for emptying pump

