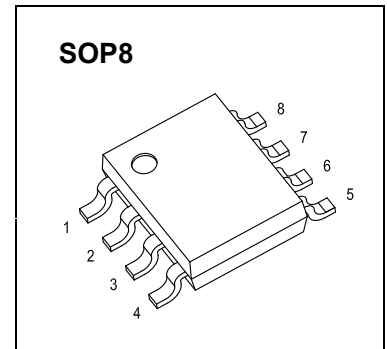


## SOP8 Plastic-Encapsulate MOSFETS

### CJQ9926 Dual N-Channel MOSFET

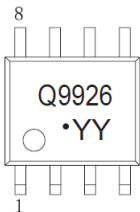
$V_{(BR)DSS}$	$R_{DS(on)MAX}$	$I_D$
20V	40mΩ@2.5V	4.8A
	30mΩ@4.5V	



#### FEATURE

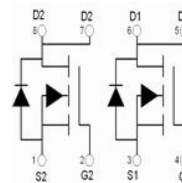
- Advanced trench process technology
- High density cell design for ultra low on-resistance
- High power and current handing capability
- Ideal for Liion battery pack applications

#### MARKING



Q9926= Device code  
 YY=Date Code  
 Solid dot = Pin1 indicator  
 Solid dot = Green molding compound device,  
 if none,the normal device.

#### Equivalent Circuit



#### Maximum ratings ( $T_a=25^{\circ}C$ unless otherwise noted)

Parameter	Symbol	Value	Unit
Drain-Source voltage	$V_{DS}$	20	V
Gate-Source Voltage	$V_{GS}$	±12	V
Continuous Drain Current *	$I_D$	4.8	A
Pulsed Drain Current	$I_{DM}$	30	A
Power Dissipation *	$P_D$	1.25	W
Thermal Resistance from Junction to Ambient *	$R_{\theta JA}$	100	$^{\circ}C/W$
Junction Temperature	$T_J$	150	$^{\circ}C$
Storage Temperature	$T_{stg}$	-55~+150	$^{\circ}C$

\* Surface Mounted on 1" x 1" FR4 Board.

# MOSFET ELECTRICAL CHARACTERISTICS

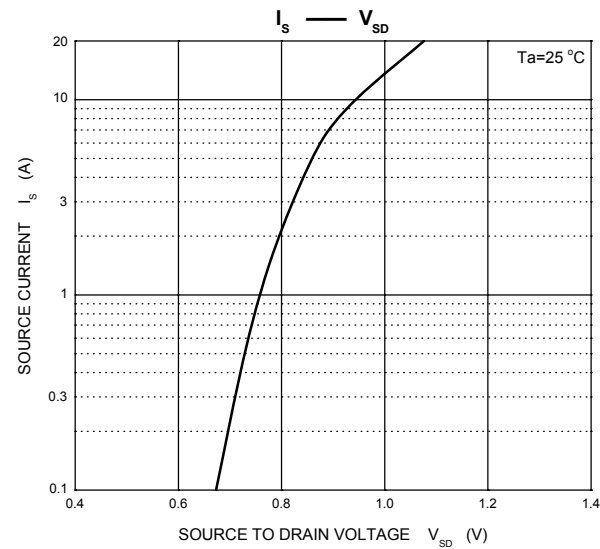
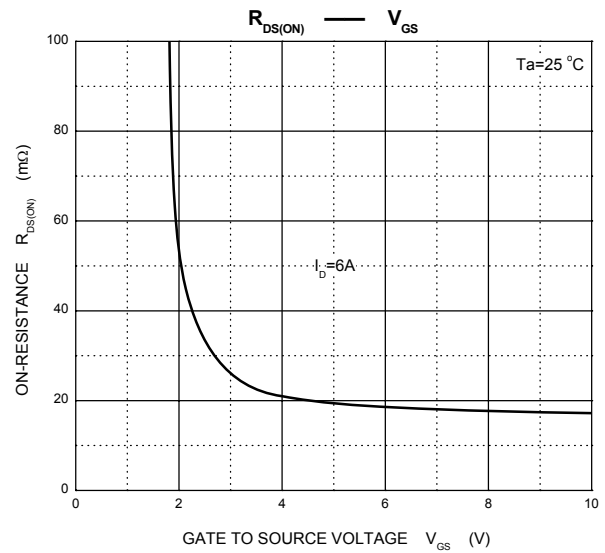
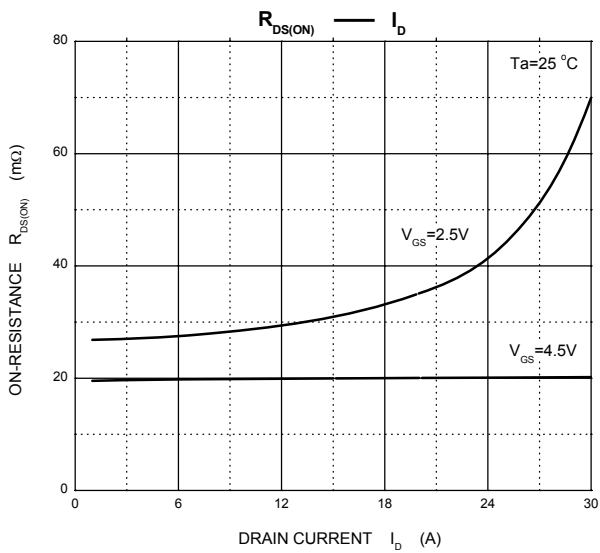
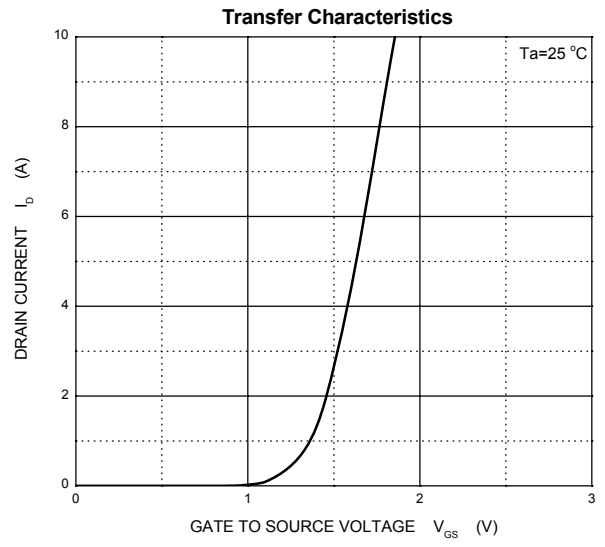
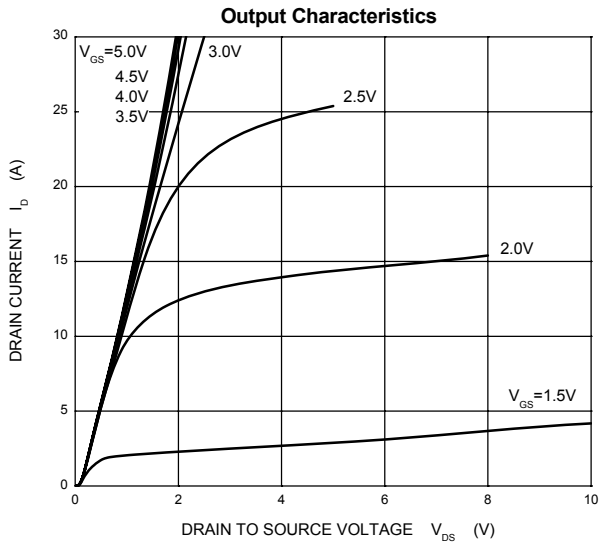
$T_a=25\text{ }^\circ\text{C}$  unless otherwise specified

Parameter	Symbol	Test Condition	Min	Typ	Max	Unit
<b>STATIC CHARACTERISTICS</b>						
Drain-source breakdown voltage	$V_{(BR)DSS}$	$V_{GS} = 0V, I_D = 250\mu A$	20			V
Zero gate voltage drain current	$I_{DSS}$	$V_{DS} = 20V, V_{GS} = 0V$			1	$\mu A$
Gate-body leakage current	$I_{GSS}$	$V_{GS} = \pm 12V, V_{DS} = 0V$			$\pm 100$	nA
Gate threshold voltage (note 1)	$V_{GS(th)}$	$V_{DS} = V_{GS}, I_D = 250\mu A$	0.6	1.0	1.2	V
Drain-source on-resistance (note 1)	$R_{DS(on)}$	$V_{GS} = 2.5V, I_D = 5A$		28	40	m $\Omega$
		$V_{GS} = 4.5V, I_D = 6A$		20	30	m $\Omega$
Forward transconductance (note 1)	$g_{FS}$	$V_{DS} = 15V, I_D = 6A$	15			S
<b>DYNAMIC CHARACTERISTICS (note 2)</b>						
Input Capacitance	$C_{iss}$	$V_{DS} = 10V, V_{GS} = 0V,$ $f = 1.0MHz$		640		pF
Output Capacitance	$C_{oss}$			140		pF
Reverse Transfer Capacitance	$C_{rss}$			80		pF
<b>SWITCHING CHARACTERISTICS (note 2)</b>						
Turn-on delay time	$t_{d(on)}$	$V_{GEN} = 4.5V, V_{DD} = 15V,$ $R_{GEN} = 6\Omega, I_D = 1A, R_L = 15\Omega$			35	ns
Turn-on rise time	$t_r$				60	ns
Turn-off delay time	$t_{d(off)}$				75	ns
Turn-off fall time	$t_f$				30	ns
Total gate charge	$Q_g$	$V_{DS} = 15V, V_{GS} = 4.5V, I_D = 6A$			20	nC
Gate-source Charge	$Q_{gs}$			3		nC
Gate-drain Charge	$Q_{gd}$			3.3		nC
<b>SOURCE-DRAIN DIODE CHARACTERISTICS</b>						
Maximum diode forward current	$I_S$				1	A
Diode forward voltage (note 1)	$V_{SD}$	$I_S = 1.7A, V_{GS} = 0V$			1.2	V
Source-Drain Reverse Recovery Time	$t_{rr}$	$I_F = 1.7A, di/dt = 100A/\mu s$			80	ns

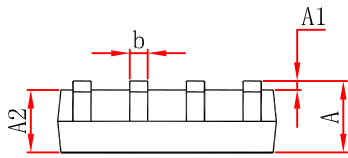
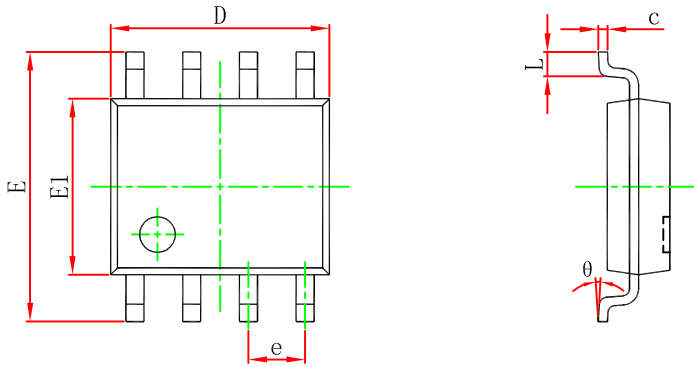
**Notes :**

1. Pulse Test : Pulse Width  $\leq 300\mu s$ , Duty Cycle  $\leq 2\%$ .
2. Guaranteed by design, not subject to production

# Typical Characteristics

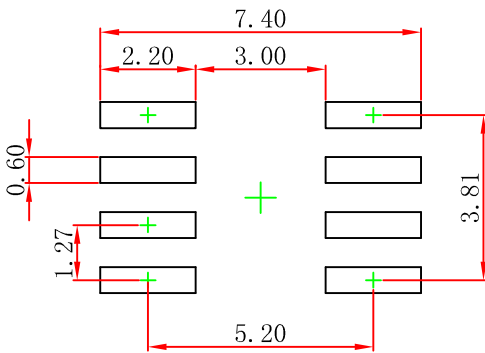


## SOP8 Package Outline Dimensions



Symbol	Dimensions In Millimeters		Dimensions In Inches	
	Min	Max	Min	Max
A	1.350	1.750	0.053	0.069
A1	0.100	0.250	0.004	0.010
A2	1.350	1.550	0.053	0.061
b	0.330	0.510	0.013	0.020
c	0.170	0.250	0.007	0.010
D	4.800	5.000	0.189	0.197
e	1.270 (BSC)		0.050 (BSC)	
E	5.800	6.200	0.228	0.244
E1	3.800	4.000	0.150	0.157
L	0.400	1.270	0.016	0.050
θ	0°	8°	0°	8°

## SOP8 Suggested Pad Layout



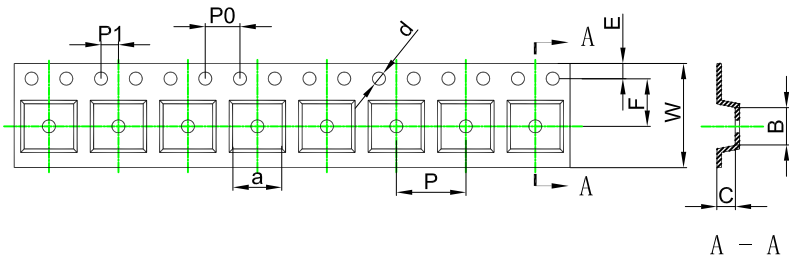
- Note:
1. Controlling dimension: in millimeters.
  2. General tolerance:  $\pm 0.05\text{mm}$ .
  3. The pad layout is for reference purposes only.

### NOTICE

JCET reserve the right to make modifications, enhancements, improvements, corrections or other changes without further notice to any product herein. JCET does not assume any liability arising out of the application or use of any product described herein.

# SOP8 Tape and Reel

## SOP8 Embossed Carrier Tape



### Packaging Description:

SOP8 parts are shipped in tape. The carrier tape is made from a dissipative (carbon filled) polycarbonate resin. The cover tape is a multilayer film (Heat Activated Adhesive in nature) primarily composed of polyester film, adhesive layer, sealant, and anti-static sprayed agent. These reeled parts in standard option are shipped with 2,500 units per 13" or 33cm diameter reel. The reels are clear in color and is made of polystyrene plastic (anti-static coated).

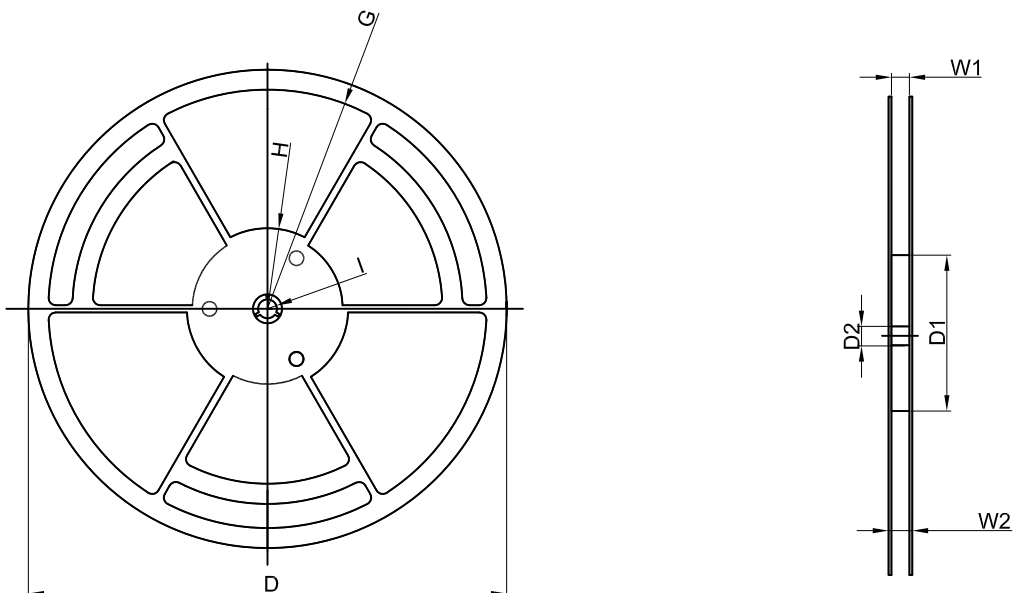
ALL DIM IN mm

Dimensions are in millimeter										
Pkg type	a	B	C	d	E	F	P0	P	P1	W
SOP8	6.40	5.40	2.10	Ø1.50	1.75	5.50	4.00	8.00	2.00	12.00

## SOP8 Tape Leader and Trailer



## SOP8 Reel



Dimensions are in millimeter								
Reel Option	D	D1	D2	G	H	I	W1	W2
13" Dia	Ø330.00	100.00	13.00	R151.00	R56.00	R6.50	12.40	17.60

REEL	Reel Size	Box	Box Size(mm)	Carton	Carton Size(mm)	G.W.(kg)
4,000 pcs	13 inch	8,000 pcs	360×360×65	64,000 pcs	565×380×390	