

To our customers,

---

## Old Company Name in Catalogs and Other Documents

---

On April 1<sup>st</sup>, 2010, NEC Electronics Corporation merged with Renesas Technology Corporation, and Renesas Electronics Corporation took over all the business of both companies. Therefore, although the old company name remains in this document, it is a valid Renesas Electronics document. We appreciate your understanding.

Renesas Electronics website: <http://www.renesas.com>

April 1<sup>st</sup>, 2010  
Renesas Electronics Corporation

Issued by: Renesas Electronics Corporation (<http://www.renesas.com>)

Send any inquiries to <http://www.renesas.com/inquiry>.

## Notice

1. All information included in this document is current as of the date this document is issued. Such information, however, is subject to change without any prior notice. Before purchasing or using any Renesas Electronics products listed herein, please confirm the latest product information with a Renesas Electronics sales office. Also, please pay regular and careful attention to additional and different information to be disclosed by Renesas Electronics such as that disclosed through our website.
2. Renesas Electronics does not assume any liability for infringement of patents, copyrights, or other intellectual property rights of third parties by or arising from the use of Renesas Electronics products or technical information described in this document. No license, express, implied or otherwise, is granted hereby under any patents, copyrights or other intellectual property rights of Renesas Electronics or others.
3. You should not alter, modify, copy, or otherwise misappropriate any Renesas Electronics product, whether in whole or in part.
4. Descriptions of circuits, software and other related information in this document are provided only to illustrate the operation of semiconductor products and application examples. You are fully responsible for the incorporation of these circuits, software, and information in the design of your equipment. Renesas Electronics assumes no responsibility for any losses incurred by you or third parties arising from the use of these circuits, software, or information.
5. When exporting the products or technology described in this document, you should comply with the applicable export control laws and regulations and follow the procedures required by such laws and regulations. You should not use Renesas Electronics products or the technology described in this document for any purpose relating to military applications or use by the military, including but not limited to the development of weapons of mass destruction. Renesas Electronics products and technology may not be used for or incorporated into any products or systems whose manufacture, use, or sale is prohibited under any applicable domestic or foreign laws or regulations.
6. Renesas Electronics has used reasonable care in preparing the information included in this document, but Renesas Electronics does not warrant that such information is error free. Renesas Electronics assumes no liability whatsoever for any damages incurred by you resulting from errors in or omissions from the information included herein.
7. Renesas Electronics products are classified according to the following three quality grades: “Standard”, “High Quality”, and “Specific”. The recommended applications for each Renesas Electronics product depends on the product’s quality grade, as indicated below. You must check the quality grade of each Renesas Electronics product before using it in a particular application. You may not use any Renesas Electronics product for any application categorized as “Specific” without the prior written consent of Renesas Electronics. Further, you may not use any Renesas Electronics product for any application for which it is not intended without the prior written consent of Renesas Electronics. Renesas Electronics shall not be in any way liable for any damages or losses incurred by you or third parties arising from the use of any Renesas Electronics product for an application categorized as “Specific” or for which the product is not intended where you have failed to obtain the prior written consent of Renesas Electronics. The quality grade of each Renesas Electronics product is “Standard” unless otherwise expressly specified in a Renesas Electronics data sheets or data books, etc.
  - “Standard”: Computers; office equipment; communications equipment; test and measurement equipment; audio and visual equipment; home electronic appliances; machine tools; personal electronic equipment; and industrial robots.
  - “High Quality”: Transportation equipment (automobiles, trains, ships, etc.); traffic control systems; anti-disaster systems; anti-crime systems; safety equipment; and medical equipment not specifically designed for life support.
  - “Specific”: Aircraft; aerospace equipment; submersible repeaters; nuclear reactor control systems; medical equipment or systems for life support (e.g. artificial life support devices or systems), surgical implantations, or healthcare intervention (e.g. excision, etc.), and any other applications or purposes that pose a direct threat to human life.
8. You should use the Renesas Electronics products described in this document within the range specified by Renesas Electronics, especially with respect to the maximum rating, operating supply voltage range, movement power voltage range, heat radiation characteristics, installation and other product characteristics. Renesas Electronics shall have no liability for malfunctions or damages arising out of the use of Renesas Electronics products beyond such specified ranges.
9. Although Renesas Electronics endeavors to improve the quality and reliability of its products, semiconductor products have specific characteristics such as the occurrence of failure at a certain rate and malfunctions under certain use conditions. Further, Renesas Electronics products are not subject to radiation resistance design. Please be sure to implement safety measures to guard them against the possibility of physical injury, and injury or damage caused by fire in the event of the failure of a Renesas Electronics product, such as safety design for hardware and software including but not limited to redundancy, fire control and malfunction prevention, appropriate treatment for aging degradation or any other appropriate measures. Because the evaluation of microcomputer software alone is very difficult, please evaluate the safety of the final products or system manufactured by you.
10. Please contact a Renesas Electronics sales office for details as to environmental matters such as the environmental compatibility of each Renesas Electronics product. Please use Renesas Electronics products in compliance with all applicable laws and regulations that regulate the inclusion or use of controlled substances, including without limitation, the EU RoHS Directive. Renesas Electronics assumes no liability for damages or losses occurring as a result of your noncompliance with applicable laws and regulations.
11. This document may not be reproduced or duplicated, in any form, in whole or in part, without prior written consent of Renesas Electronics.
12. Please contact a Renesas Electronics sales office if you have any questions regarding the information contained in this document or Renesas Electronics products, or if you have any other inquiries.

(Note 1) “Renesas Electronics” as used in this document means Renesas Electronics Corporation and also includes its majority-owned subsidiaries.

(Note 2) “Renesas Electronics product(s)” means any product developed or manufactured by or for Renesas Electronics.

**SOURCE DRIVER FOR 300/288-OUTPUT TFT-LCD  
 (NAVIGATION, AUTOMOBILE LCD-TV)**
**DESCRIPTION**

$\mu$ PD16782 is a source driver for TFT liquid crystal panels. This IC consists of a multiplexer circuit supporting a variety of pixel arrays, a shift register that generates sampling timing, and two sample and hold circuits that sample analog voltages. Because the two sample and hold circuits alternately execute sampling and holding, a high definition can be obtained.

In addition, simultaneous sampling and successive sampling are automatically selected according to the pixel array of the LCD panel. It is ideal for a wide range of applications, including navigation systems and automobile LCD-TVs.

**FEATURES**

- Can be driven on 5 V (Dynamic range: 4.3 V,  $V_{DD2} = 5.0$  V)
- 300/288-output
- $f_{CLK} = 15$  MHz MAX. ( $V_{DD1} = 3.0$  V)
- Simultaneous/successive sampling selectable according to pixel array
  - Simultaneous sampling: Vertical stripe
  - Successive sampling: Delta array, mosaic array
- Two sample and hold circuits
- Low output deviation between pins ( $\pm 20$  mV MAX.)
- Stripe, delta, and mosaic pixel arrays supported by internal multiplexer circuit
- Left and right shift selected by R,/L pin
- COG mounting possible

**Remark** /xxx indicates active low signal.

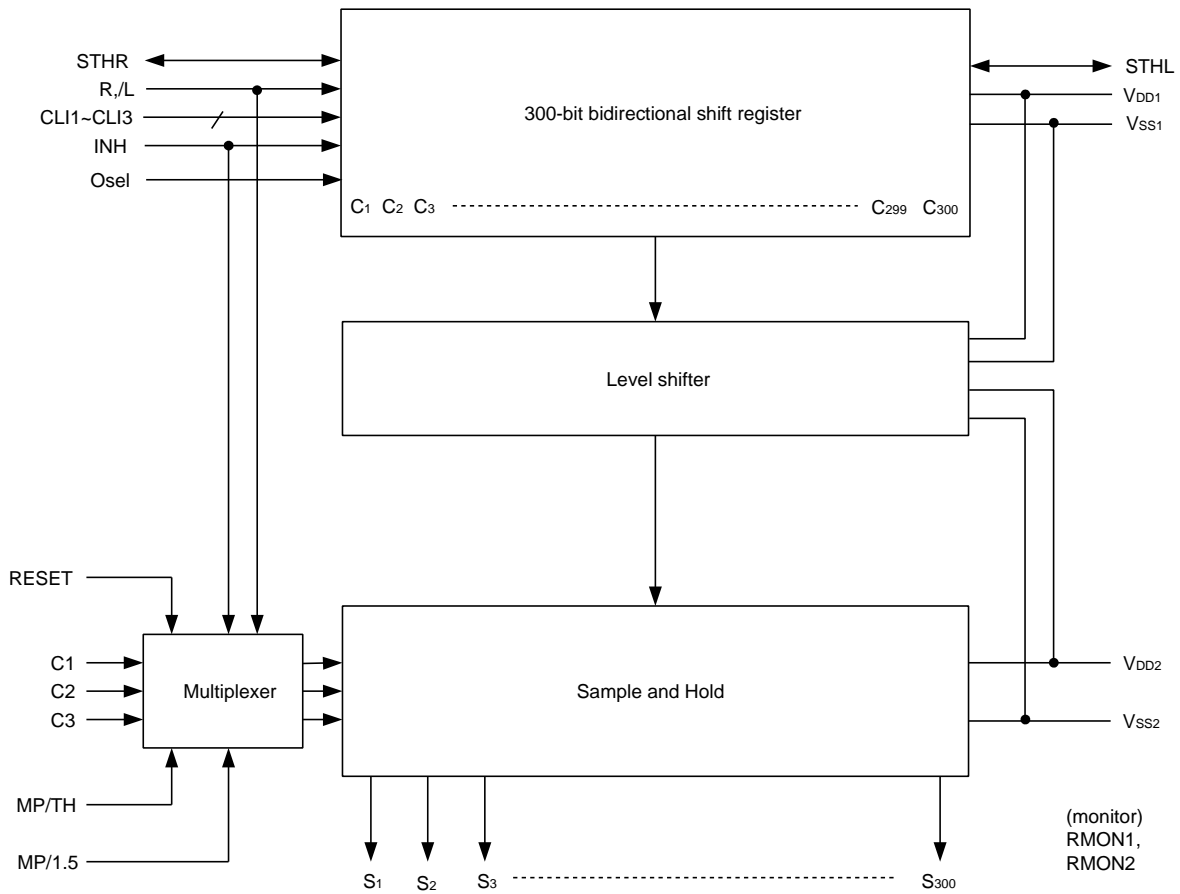
**ORDERING INFORMATION**

| Part Number    | Package |
|----------------|---------|
| $\mu$ PD16782P | Chip    |

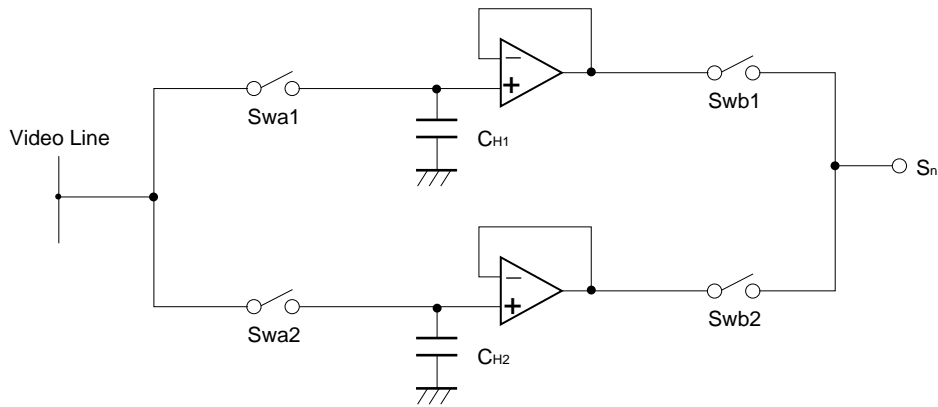
**Remark** Purchasing the above chip entails the exchange of documents such as a separate memorandum or product quality, so please contact one of our sales representative.

The information in this document is subject to change without notice. Before using this document, please confirm that this is the latest version.  
 Not all products and/or types are available in every country. Please check with an NEC Electronics sales representative for availability and additional information.

1. BLOCK DIAGRAM



2. SAMPLE AND HOLD CIRCUIT AND OUTPUT CIRCUIT



3. PIN CONFIGURATION

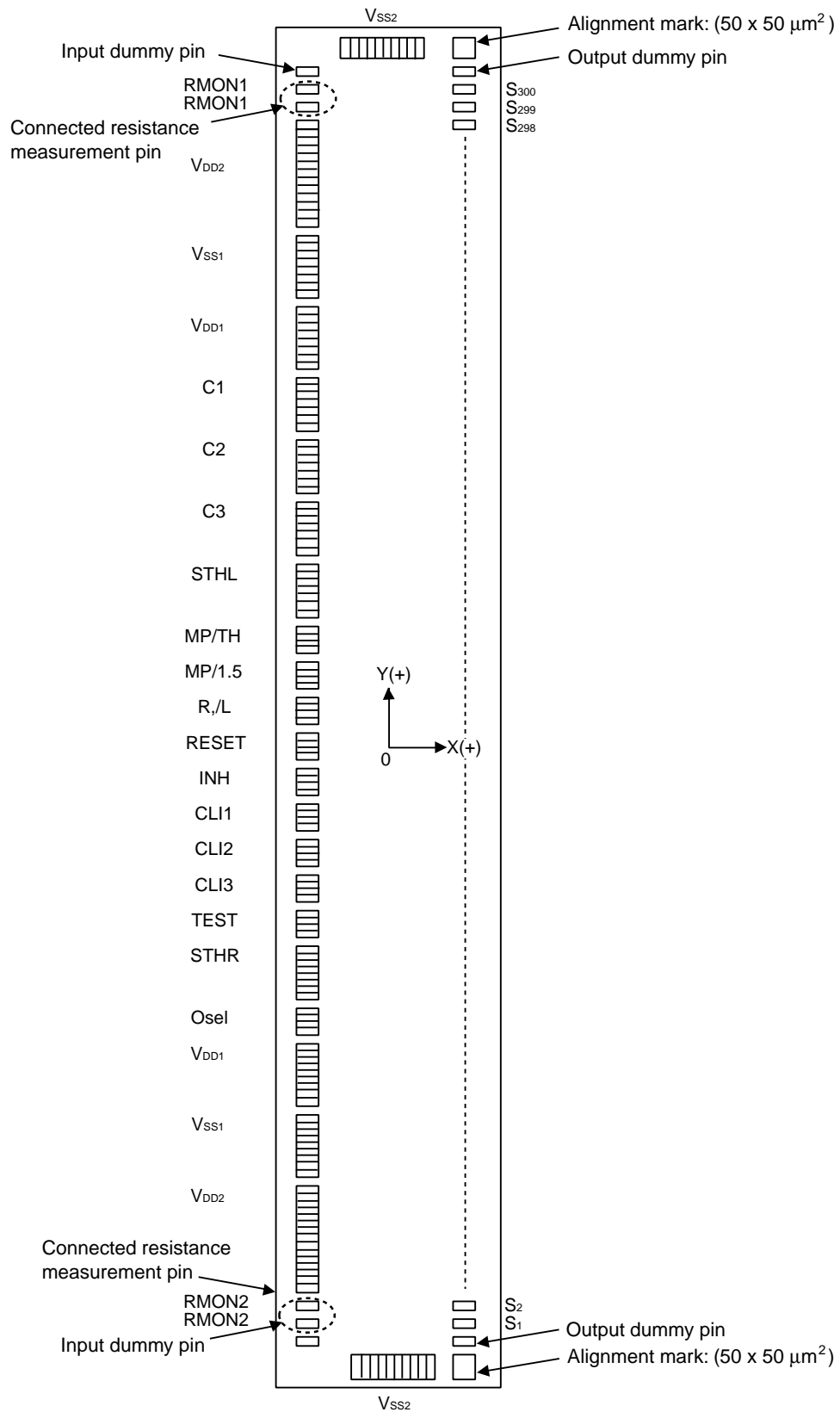


Table 3-1. Pad Layout (1/4)

| No. | PAD Name | X [μm] | Y [μm] | Bump Size (X:Y) [μm] |
|-----|----------|--------|--------|----------------------|
| 1   | Dummy1   | -464.0 | 8451.0 | 100:60               |
| 2   | RMON1    | -464.0 | 8014.2 | 100:60               |
| 3   | RMON1    | -464.0 | 7842.0 | 100:60               |
| 4   | VDD2     | -464.0 | 7538.6 | 100:60               |
| 5   | VDD2     | -464.0 | 7458.6 | 100:60               |
| 6   | VDD2     | -464.0 | 7378.6 | 100:60               |
| 7   | VDD2     | -464.0 | 7298.6 | 100:60               |
| 8   | VDD2     | -464.0 | 7218.6 | 100:60               |
| 9   | VDD2     | -464.0 | 7138.6 | 100:60               |
| 10  | VDD2     | -464.0 | 7058.6 | 100:60               |
| 11  | VDD2     | -464.0 | 6978.6 | 100:60               |
| 12  | VDD2     | -464.0 | 6898.6 | 100:60               |
| 13  | VDD2     | -464.0 | 6818.6 | 100:60               |
| 14  | VDD2     | -464.0 | 6738.6 | 100:60               |
| 15  | VDD2     | -464.0 | 6658.6 | 100:60               |
| 16  | VSS1     | -464.0 | 6181.0 | 100:60               |
| 17  | VSS1     | -464.0 | 6101.0 | 100:60               |
| 18  | VSS1     | -464.0 | 6021.0 | 100:60               |
| 19  | VSS1     | -464.0 | 5941.0 | 100:60               |
| 20  | VSS1     | -464.0 | 5861.0 | 100:60               |
| 21  | VSS1     | -464.0 | 5781.0 | 100:60               |
| 22  | VSS1     | -464.0 | 5701.0 | 100:60               |
| 23  | VDD1     | -464.0 | 5239.4 | 100:60               |
| 24  | VDD1     | -464.0 | 5159.4 | 100:60               |
| 25  | VDD1     | -464.0 | 5079.4 | 100:60               |
| 26  | VDD1     | -464.0 | 4999.4 | 100:60               |
| 27  | VDD1     | -464.0 | 4919.4 | 100:60               |
| 28  | VDD1     | -464.0 | 4839.4 | 100:60               |
| 29  | VDD1     | -464.0 | 4759.4 | 100:60               |
| 30  | C1       | -464.0 | 4335.2 | 100:60               |
| 31  | C1       | -464.0 | 4255.2 | 100:60               |
| 32  | C1       | -464.0 | 4175.2 | 100:60               |
| 33  | C1       | -464.0 | 4095.2 | 100:60               |
| 34  | C1       | -464.0 | 4015.2 | 100:60               |
| 35  | C1       | -464.0 | 3935.2 | 100:60               |
| 36  | C2       | -464.0 | 3470.4 | 100:60               |
| 37  | C2       | -464.0 | 3390.4 | 100:60               |
| 38  | C2       | -464.0 | 3310.4 | 100:60               |
| 39  | C2       | -464.0 | 3230.4 | 100:60               |
| 40  | C2       | -464.0 | 3150.4 | 100:60               |
| 41  | C2       | -464.0 | 3070.4 | 100:60               |
| 42  | C3       | -464.0 | 2605.6 | 100:60               |
| 43  | C3       | -464.0 | 2525.6 | 100:60               |
| 44  | C3       | -464.0 | 2445.6 | 100:60               |
| 45  | C3       | -464.0 | 2365.6 | 100:60               |
| 46  | C3       | -464.0 | 2285.6 | 100:60               |
| 47  | C3       | -464.0 | 2205.6 | 100:60               |
| 48  | STHL     | -464.0 | 1384.2 | 100:60               |
| 49  | STHL     | -464.0 | 1304.2 | 100:60               |
| 50  | STHL     | -464.0 | 1224.2 | 100:60               |
| 51  | STHL     | -464.0 | 1144.2 | 100:60               |
| 52  | STHL     | -464.0 | 1064.2 | 100:60               |
| 53  | STHL     | -464.0 | 984.2  | 100:60               |
| 54  | MP/TH    | -464.0 | 538.6  | 100:60               |
| 55  | MP/TH    | -464.0 | 458.6  | 100:60               |

| No. | PAD Name | X [μm] | Y [μm]  | Bump Size (X:Y) [μm] |
|-----|----------|--------|---------|----------------------|
| 56  | MP/TH    | -464.0 | 378.6   | 100:60               |
| 57  | MP/1.5   | -464.0 | 145.5   | 100:60               |
| 58  | MP/1.5   | -464.0 | 65.5    | 100:60               |
| 59  | MP/1.5   | -464.0 | -14.5   | 100:60               |
| 60  | R, /L    | -464.0 | -247.6  | 100:60               |
| 61  | R, /L    | -464.0 | -327.6  | 100:60               |
| 62  | R, /L    | -464.0 | -407.6  | 100:60               |
| 63  | RESET    | -464.0 | -640.7  | 100:60               |
| 64  | RESET    | -464.0 | -720.7  | 100:60               |
| 65  | RESET    | -464.0 | -800.7  | 100:60               |
| 66  | INH      | -464.0 | -1033.8 | 100:60               |
| 67  | INH      | -464.0 | -1113.8 | 100:60               |
| 68  | INH      | -464.0 | -1193.8 | 100:60               |
| 69  | CL11     | -464.0 | -1427.0 | 100:60               |
| 70  | CL11     | -464.0 | -1507.0 | 100:60               |
| 71  | CL11     | -464.0 | -1587.0 | 100:60               |
| 72  | CL12     | -464.0 | -1820.1 | 100:60               |
| 73  | CL12     | -464.0 | -1900.1 | 100:60               |
| 74  | CL12     | -464.0 | -1980.1 | 100:60               |
| 75  | CL13     | -464.0 | -2213.2 | 100:60               |
| 76  | CL13     | -464.0 | -2293.2 | 100:60               |
| 77  | CL13     | -464.0 | -2373.2 | 100:60               |
| 78  | TEST     | -464.0 | -2606.3 | 100:60               |
| 79  | TEST     | -464.0 | -2686.3 | 100:60               |
| 80  | TEST     | -464.0 | -2766.3 | 100:60               |
| 81  | STHR     | -464.0 | -3227.0 | 100:60               |
| 82  | STHR     | -464.0 | -3307.0 | 100:60               |
| 83  | STHR     | -464.0 | -3387.0 | 100:60               |
| 84  | STHR     | -464.0 | -3467.0 | 100:60               |
| 85  | STHR     | -464.0 | -3547.0 | 100:60               |
| 86  | STHR     | -464.0 | -3627.0 | 100:60               |
| 87  | Osel     | -464.0 | -4170.4 | 100:60               |
| 88  | Osel     | -464.0 | -4250.4 | 100:60               |
| 89  | Osel     | -464.0 | -4330.4 | 100:60               |
| 90  | VDD1     | -464.0 | -4759.4 | 100:60               |
| 91  | VDD1     | -464.0 | -4839.4 | 100:60               |
| 92  | VDD1     | -464.0 | -4919.4 | 100:60               |
| 93  | VDD1     | -464.0 | -4999.4 | 100:60               |
| 94  | VDD1     | -464.0 | -5079.4 | 100:60               |
| 95  | VDD1     | -464.0 | -5159.4 | 100:60               |
| 96  | VDD1     | -464.0 | -5239.4 | 100:60               |
| 97  | VSS1     | -464.0 | -5701.0 | 100:60               |
| 98  | VSS1     | -464.0 | -5781.0 | 100:60               |
| 99  | VSS1     | -464.0 | -5861.0 | 100:60               |
| 100 | VSS1     | -464.0 | -5941.0 | 100:60               |
| 101 | VSS1     | -464.0 | -6021.0 | 100:60               |
| 102 | VSS1     | -464.0 | -6101.0 | 100:60               |
| 103 | VSS1     | -464.0 | -6181.0 | 100:60               |
| 104 | VDD2     | -464.0 | -6658.6 | 100:60               |
| 105 | VDD2     | -464.0 | -6738.6 | 100:60               |
| 106 | VDD2     | -464.0 | -6818.6 | 100:60               |
| 107 | VDD2     | -464.0 | -6898.6 | 100:60               |
| 108 | VDD2     | -464.0 | -6978.6 | 100:60               |
| 109 | VDD2     | -464.0 | -7058.6 | 100:60               |
| 110 | VDD2     | -464.0 | -7138.6 | 100:60               |

Table 3-1. Pad Layout (2/4)

| No. | PAD Name         | X [μm] | Y [μm]  | Bump Size (X:Y) [μm] |
|-----|------------------|--------|---------|----------------------|
| 111 | V <sub>DD2</sub> | -464.0 | -7218.6 | 100:60               |
| 112 | V <sub>DD2</sub> | -464.0 | -7298.6 | 100:60               |
| 113 | V <sub>DD2</sub> | -464.0 | -7378.6 | 100:60               |
| 114 | V <sub>DD2</sub> | -464.0 | -7458.6 | 100:60               |
| 115 | V <sub>DD2</sub> | -464.0 | -7538.6 | 100:60               |
| 116 | RMON2            | -464.0 | -7842.0 | 100:60               |
| 117 | RMON2            | -464.0 | -8014.2 | 100:60               |
| 118 | Dummy2           | -464.0 | -8451.0 | 100:60               |
| 119 | V <sub>SS2</sub> | -399.8 | -8769.0 | 60 100               |
| 120 | V <sub>SS2</sub> | -319.8 | -8769.0 | 60 100               |
| 121 | V <sub>SS2</sub> | -239.8 | -8769.0 | 60 100               |
| 122 | V <sub>SS2</sub> | -159.8 | -8769.0 | 60 100               |
| 123 | V <sub>SS2</sub> | -79.8  | -8769.0 | 60 100               |
| 124 | V <sub>SS2</sub> | 0.2    | -8769.0 | 60 100               |
| 125 | V <sub>SS2</sub> | 80.2   | -8769.0 | 60 100               |
| 126 | V <sub>SS2</sub> | 160.2  | -8769.0 | 60 100               |
| 127 | V <sub>SS2</sub> | 240.2  | -8769.0 | 60 100               |
| 128 | V <sub>SS2</sub> | 320.2  | -8769.0 | 60 100               |
| 129 | Dummy3           | 402.0  | -8642.5 | 80:37                |
| 130 | S <sub>1</sub>   | 402.0  | -8585.5 | 80:37                |
| 131 | S <sub>2</sub>   | 402.0  | -8528.5 | 80:37                |
| 132 | S <sub>3</sub>   | 402.0  | -8471.5 | 80:37                |
| 133 | S <sub>4</sub>   | 402.0  | -8414.5 | 80:37                |
| 134 | S <sub>5</sub>   | 402.0  | -8357.5 | 80:37                |
| 135 | S <sub>6</sub>   | 402.0  | -8300.5 | 80:37                |
| 136 | S <sub>7</sub>   | 402.0  | -8243.5 | 80:37                |
| 137 | S <sub>8</sub>   | 402.0  | -8186.5 | 80:37                |
| 138 | S <sub>9</sub>   | 402.0  | -8129.5 | 80:37                |
| 139 | S <sub>10</sub>  | 402.0  | -8072.5 | 80:37                |
| 140 | S <sub>11</sub>  | 402.0  | -8015.5 | 80:37                |
| 141 | S <sub>12</sub>  | 402.0  | -7958.5 | 80:37                |
| 142 | S <sub>13</sub>  | 402.0  | -7901.5 | 80:37                |
| 143 | S <sub>14</sub>  | 402.0  | -7844.5 | 80:37                |
| 144 | S <sub>15</sub>  | 402.0  | -7787.5 | 80:37                |
| 145 | S <sub>16</sub>  | 402.0  | -7730.5 | 80:37                |
| 146 | S <sub>17</sub>  | 402.0  | -7673.5 | 80:37                |
| 147 | S <sub>18</sub>  | 402.0  | -7616.5 | 80:37                |
| 148 | S <sub>19</sub>  | 402.0  | -7559.5 | 80:37                |
| 149 | S <sub>20</sub>  | 402.0  | -7502.5 | 80:37                |
| 150 | S <sub>21</sub>  | 402.0  | -7445.5 | 80:37                |
| 151 | S <sub>22</sub>  | 402.0  | -7388.5 | 80:37                |
| 152 | S <sub>23</sub>  | 402.0  | -7331.5 | 80:37                |
| 153 | S <sub>24</sub>  | 402.0  | -7274.5 | 80:37                |
| 154 | S <sub>25</sub>  | 402.0  | -7217.5 | 80:37                |
| 155 | S <sub>26</sub>  | 402.0  | -7160.5 | 80:37                |
| 156 | S <sub>27</sub>  | 402.0  | -7103.5 | 80:37                |
| 157 | S <sub>28</sub>  | 402.0  | -7046.5 | 80:37                |
| 158 | S <sub>29</sub>  | 402.0  | -6989.5 | 80:37                |
| 159 | S <sub>30</sub>  | 402.0  | -6932.5 | 80:37                |
| 160 | S <sub>31</sub>  | 402.0  | -6875.5 | 80:37                |
| 161 | S <sub>32</sub>  | 402.0  | -6818.5 | 80:37                |
| 162 | S <sub>33</sub>  | 402.0  | -6761.5 | 80:37                |
| 163 | S <sub>34</sub>  | 402.0  | -6704.5 | 80:37                |
| 164 | S <sub>35</sub>  | 402.0  | -6647.5 | 80:37                |
| 165 | S <sub>36</sub>  | 402.0  | -6590.5 | 80:37                |

| No. | PAD Name        | X [μm] | Y [μm]  | Bump Size (X:Y) [μm] |
|-----|-----------------|--------|---------|----------------------|
| 166 | S <sub>37</sub> | 402.0  | -6533.5 | 80:37                |
| 167 | S <sub>38</sub> | 402.0  | -6476.5 | 80:37                |
| 168 | S <sub>39</sub> | 402.0  | -6419.5 | 80:37                |
| 169 | S <sub>40</sub> | 402.0  | -6362.5 | 80:37                |
| 170 | S <sub>41</sub> | 402.0  | -6305.5 | 80:37                |
| 171 | S <sub>42</sub> | 402.0  | -6248.5 | 80:37                |
| 172 | S <sub>43</sub> | 402.0  | -6191.5 | 80:37                |
| 173 | S <sub>44</sub> | 402.0  | -6134.5 | 80:37                |
| 174 | S <sub>45</sub> | 402.0  | -6077.5 | 80:37                |
| 175 | S <sub>46</sub> | 402.0  | -6020.5 | 80:37                |
| 176 | S <sub>47</sub> | 402.0  | -5963.5 | 80:37                |
| 177 | S <sub>48</sub> | 402.0  | -5906.5 | 80:37                |
| 178 | S <sub>49</sub> | 402.0  | -5849.5 | 80:37                |
| 179 | S <sub>50</sub> | 402.0  | -5792.5 | 80:37                |
| 180 | S <sub>51</sub> | 402.0  | -5735.5 | 80:37                |
| 181 | S <sub>52</sub> | 402.0  | -5678.5 | 80:37                |
| 182 | S <sub>53</sub> | 402.0  | -5621.5 | 80:37                |
| 183 | S <sub>54</sub> | 402.0  | -5564.5 | 80:37                |
| 184 | S <sub>55</sub> | 402.0  | -5507.5 | 80:37                |
| 185 | S <sub>56</sub> | 402.0  | -5450.5 | 80:37                |
| 186 | S <sub>57</sub> | 402.0  | -5393.5 | 80:37                |
| 187 | S <sub>58</sub> | 402.0  | -5336.5 | 80:37                |
| 188 | S <sub>59</sub> | 402.0  | -5279.5 | 80:37                |
| 189 | S <sub>60</sub> | 402.0  | -5222.5 | 80:37                |
| 190 | S <sub>61</sub> | 402.0  | -5165.5 | 80:37                |
| 191 | S <sub>62</sub> | 402.0  | -5108.5 | 80:37                |
| 192 | S <sub>63</sub> | 402.0  | -5051.5 | 80:37                |
| 193 | S <sub>64</sub> | 402.0  | -4994.5 | 80:37                |
| 194 | S <sub>65</sub> | 402.0  | -4937.5 | 80:37                |
| 195 | S <sub>66</sub> | 402.0  | -4880.5 | 80:37                |
| 196 | S <sub>67</sub> | 402.0  | -4823.5 | 80:37                |
| 197 | S <sub>68</sub> | 402.0  | -4766.5 | 80:37                |
| 198 | S <sub>69</sub> | 402.0  | -4709.5 | 80:37                |
| 199 | S <sub>70</sub> | 402.0  | -4652.5 | 80:37                |
| 200 | S <sub>71</sub> | 402.0  | -4595.5 | 80:37                |
| 201 | S <sub>72</sub> | 402.0  | -4538.5 | 80:37                |
| 202 | S <sub>73</sub> | 402.0  | -4481.5 | 80:37                |
| 203 | S <sub>74</sub> | 402.0  | -4424.5 | 80:37                |
| 204 | S <sub>75</sub> | 402.0  | -4367.5 | 80:37                |
| 205 | S <sub>76</sub> | 402.0  | -4310.5 | 80:37                |
| 206 | S <sub>77</sub> | 402.0  | -4253.5 | 80:37                |
| 207 | S <sub>78</sub> | 402.0  | -4196.5 | 80:37                |
| 208 | S <sub>79</sub> | 402.0  | -4139.5 | 80:37                |
| 209 | S <sub>80</sub> | 402.0  | -4082.5 | 80:37                |
| 210 | S <sub>81</sub> | 402.0  | -4025.5 | 80:37                |
| 211 | S <sub>82</sub> | 402.0  | -3968.5 | 80:37                |
| 212 | S <sub>83</sub> | 402.0  | -3911.5 | 80:37                |
| 213 | S <sub>84</sub> | 402.0  | -3854.5 | 80:37                |
| 214 | S <sub>85</sub> | 402.0  | -3797.5 | 80:37                |
| 215 | S <sub>86</sub> | 402.0  | -3740.5 | 80:37                |
| 216 | S <sub>87</sub> | 402.0  | -3683.5 | 80:37                |
| 217 | S <sub>88</sub> | 402.0  | -3626.5 | 80:37                |
| 218 | S <sub>89</sub> | 402.0  | -3569.5 | 80:37                |
| 219 | S <sub>90</sub> | 402.0  | -3512.5 | 80:37                |
| 220 | S <sub>91</sub> | 402.0  | -3455.5 | 80:37                |

Table 3-1. Pad Layout (3/4)

| No. | PAD Name         | X [μm] | Y [μm]  | Bump Size (X:Y) [μm] |
|-----|------------------|--------|---------|----------------------|
| 221 | S <sub>92</sub>  | 402.0  | -3398.5 | 80:37                |
| 222 | S <sub>93</sub>  | 402.0  | -3341.5 | 80:37                |
| 223 | S <sub>94</sub>  | 402.0  | -3284.5 | 80:37                |
| 224 | S <sub>95</sub>  | 402.0  | -3227.5 | 80:37                |
| 225 | S <sub>96</sub>  | 402.0  | -3170.5 | 80:37                |
| 226 | S <sub>97</sub>  | 402.0  | -3113.5 | 80:37                |
| 227 | S <sub>98</sub>  | 402.0  | -3056.5 | 80:37                |
| 228 | S <sub>99</sub>  | 402.0  | -2999.5 | 80:37                |
| 229 | S <sub>100</sub> | 402.0  | -2942.5 | 80:37                |
| 230 | S <sub>101</sub> | 402.0  | -2885.5 | 80:37                |
| 231 | S <sub>102</sub> | 402.0  | -2828.5 | 80:37                |
| 232 | S <sub>103</sub> | 402.0  | -2771.5 | 80:37                |
| 233 | S <sub>104</sub> | 402.0  | -2714.5 | 80:37                |
| 234 | S <sub>105</sub> | 402.0  | -2657.5 | 80:37                |
| 235 | S <sub>106</sub> | 402.0  | -2600.5 | 80:37                |
| 236 | S <sub>107</sub> | 402.0  | -2543.5 | 80:37                |
| 237 | S <sub>108</sub> | 402.0  | -2486.5 | 80:37                |
| 238 | S <sub>109</sub> | 402.0  | -2429.5 | 80:37                |
| 239 | S <sub>110</sub> | 402.0  | -2372.5 | 80:37                |
| 240 | S <sub>111</sub> | 402.0  | -2315.5 | 80:37                |
| 241 | S <sub>112</sub> | 402.0  | -2258.5 | 80:37                |
| 242 | S <sub>113</sub> | 402.0  | -2201.5 | 80:37                |
| 243 | S <sub>114</sub> | 402.0  | -2144.5 | 80:37                |
| 244 | S <sub>115</sub> | 402.0  | -2087.5 | 80:37                |
| 245 | S <sub>116</sub> | 402.0  | -2030.5 | 80:37                |
| 246 | S <sub>117</sub> | 402.0  | -1973.5 | 80:37                |
| 247 | S <sub>118</sub> | 402.0  | -1916.5 | 80:37                |
| 248 | S <sub>119</sub> | 402.0  | -1859.5 | 80:37                |
| 249 | S <sub>120</sub> | 402.0  | -1802.5 | 80:37                |
| 250 | S <sub>121</sub> | 402.0  | -1745.5 | 80:37                |
| 251 | S <sub>122</sub> | 402.0  | -1688.5 | 80:37                |
| 252 | S <sub>123</sub> | 402.0  | -1631.5 | 80:37                |
| 253 | S <sub>124</sub> | 402.0  | -1574.5 | 80:37                |
| 254 | S <sub>125</sub> | 402.0  | -1517.5 | 80:37                |
| 255 | S <sub>126</sub> | 402.0  | -1460.5 | 80:37                |
| 256 | S <sub>127</sub> | 402.0  | -1403.5 | 80:37                |
| 257 | S <sub>128</sub> | 402.0  | -1346.5 | 80:37                |
| 258 | S <sub>129</sub> | 402.0  | -1289.5 | 80:37                |
| 259 | S <sub>130</sub> | 402.0  | -1232.5 | 80:37                |
| 260 | S <sub>131</sub> | 402.0  | -1175.5 | 80:37                |
| 261 | S <sub>132</sub> | 402.0  | -1118.5 | 80:37                |
| 262 | S <sub>133</sub> | 402.0  | -1061.5 | 80:37                |
| 263 | S <sub>134</sub> | 402.0  | -1004.5 | 80:37                |
| 264 | S <sub>135</sub> | 402.0  | -947.5  | 80:37                |
| 265 | S <sub>136</sub> | 402.0  | -890.5  | 80:37                |
| 266 | S <sub>137</sub> | 402.0  | -833.5  | 80:37                |
| 267 | S <sub>138</sub> | 402.0  | -776.5  | 80:37                |
| 268 | S <sub>139</sub> | 402.0  | -719.5  | 80:37                |
| 269 | S <sub>140</sub> | 402.0  | -662.5  | 80:37                |
| 270 | S <sub>141</sub> | 402.0  | -605.5  | 80:37                |
| 271 | S <sub>142</sub> | 402.0  | -548.5  | 80:37                |
| 272 | S <sub>143</sub> | 402.0  | -491.5  | 80:37                |
| 273 | S <sub>144</sub> | 402.0  | -434.5  | 80:37                |
| 274 | S <sub>145</sub> | 402.0  | -377.5  | 80:37                |
| 275 | S <sub>146</sub> | 402.0  | -320.5  | 80:37                |

| No. | PAD Name         | X [μm] | Y [μm] | Bump Size (X:Y) [μm] |
|-----|------------------|--------|--------|----------------------|
| 276 | S <sub>147</sub> | 402.0  | -263.5 | 80:37                |
| 277 | S <sub>148</sub> | 402.0  | -206.5 | 80:37                |
| 278 | S <sub>149</sub> | 402.0  | -149.5 | 80:37                |
| 279 | S <sub>150</sub> | 402.0  | -92.5  | 80:37                |
| 280 | S <sub>151</sub> | 402.0  | -35.5  | 80:37                |
| 281 | S <sub>152</sub> | 402.0  | 21.5   | 80:37                |
| 282 | S <sub>153</sub> | 402.0  | 78.5   | 80:37                |
| 283 | S <sub>154</sub> | 402.0  | 135.5  | 80:37                |
| 284 | S <sub>155</sub> | 402.0  | 192.5  | 80:37                |
| 285 | S <sub>156</sub> | 402.0  | 249.5  | 80:37                |
| 286 | S <sub>157</sub> | 402.0  | 306.5  | 80:37                |
| 287 | S <sub>158</sub> | 402.0  | 363.5  | 80:37                |
| 288 | S <sub>159</sub> | 402.0  | 420.5  | 80:37                |
| 289 | S <sub>160</sub> | 402.0  | 477.5  | 80:37                |
| 290 | S <sub>161</sub> | 402.0  | 534.5  | 80:37                |
| 291 | S <sub>162</sub> | 402.0  | 591.5  | 80:37                |
| 292 | S <sub>163</sub> | 402.0  | 648.5  | 80:37                |
| 293 | S <sub>164</sub> | 402.0  | 705.5  | 80:37                |
| 294 | S <sub>165</sub> | 402.0  | 762.5  | 80:37                |
| 295 | S <sub>166</sub> | 402.0  | 819.5  | 80:37                |
| 296 | S <sub>167</sub> | 402.0  | 876.5  | 80:37                |
| 297 | S <sub>168</sub> | 402.0  | 933.5  | 80:37                |
| 298 | S <sub>169</sub> | 402.0  | 990.5  | 80:37                |
| 299 | S <sub>170</sub> | 402.0  | 1047.5 | 80:37                |
| 300 | S <sub>171</sub> | 402.0  | 1104.5 | 80:37                |
| 301 | S <sub>172</sub> | 402.0  | 1161.5 | 80:37                |
| 302 | S <sub>173</sub> | 402.0  | 1218.5 | 80:37                |
| 303 | S <sub>174</sub> | 402.0  | 1275.5 | 80:37                |
| 304 | S <sub>175</sub> | 402.0  | 1332.5 | 80:37                |
| 305 | S <sub>176</sub> | 402.0  | 1389.5 | 80:37                |
| 306 | S <sub>177</sub> | 402.0  | 1446.5 | 80:37                |
| 307 | S <sub>178</sub> | 402.0  | 1503.5 | 80:37                |
| 308 | S <sub>179</sub> | 402.0  | 1560.5 | 80:37                |
| 309 | S <sub>180</sub> | 402.0  | 1617.5 | 80:37                |
| 310 | S <sub>181</sub> | 402.0  | 1674.5 | 80:37                |
| 311 | S <sub>182</sub> | 402.0  | 1731.5 | 80:37                |
| 312 | S <sub>183</sub> | 402.0  | 1788.5 | 80:37                |
| 313 | S <sub>184</sub> | 402.0  | 1845.5 | 80:37                |
| 314 | S <sub>185</sub> | 402.0  | 1902.5 | 80:37                |
| 315 | S <sub>186</sub> | 402.0  | 1959.5 | 80:37                |
| 316 | S <sub>187</sub> | 402.0  | 2016.5 | 80:37                |
| 317 | S <sub>188</sub> | 402.0  | 2073.5 | 80:37                |
| 318 | S <sub>189</sub> | 402.0  | 2130.5 | 80:37                |
| 319 | S <sub>190</sub> | 402.0  | 2187.5 | 80:37                |
| 320 | S <sub>191</sub> | 402.0  | 2244.5 | 80:37                |
| 321 | S <sub>192</sub> | 402.0  | 2301.5 | 80:37                |
| 322 | S <sub>193</sub> | 402.0  | 2358.5 | 80:37                |
| 323 | S <sub>194</sub> | 402.0  | 2415.5 | 80:37                |
| 324 | S <sub>195</sub> | 402.0  | 2472.5 | 80:37                |
| 325 | S <sub>196</sub> | 402.0  | 2529.5 | 80:37                |
| 326 | S <sub>197</sub> | 402.0  | 2586.5 | 80:37                |
| 327 | S <sub>198</sub> | 402.0  | 2643.5 | 80:37                |
| 328 | S <sub>199</sub> | 402.0  | 2700.5 | 80:37                |
| 329 | S <sub>200</sub> | 402.0  | 2757.5 | 80:37                |
| 330 | S <sub>201</sub> | 402.0  | 2814.5 | 80:37                |



Table 3-1. Pad Layout (4/4)

| No. | PAD Name | X [μm] | Y [μm] | Bump Size (X:Y) [μm] |
|-----|----------|--------|--------|----------------------|
| 331 | S202     | 402.0  | 2871.5 | 80:37                |
| 332 | S203     | 402.0  | 2928.5 | 80:37                |
| 333 | S204     | 402.0  | 2985.5 | 80:37                |
| 334 | S205     | 402.0  | 3042.5 | 80:37                |
| 335 | S206     | 402.0  | 3099.5 | 80:37                |
| 336 | S207     | 402.0  | 3156.5 | 80:37                |
| 337 | S208     | 402.0  | 3213.5 | 80:37                |
| 338 | S209     | 402.0  | 3270.5 | 80:37                |
| 339 | S210     | 402.0  | 3327.5 | 80:37                |
| 340 | S211     | 402.0  | 3384.5 | 80:37                |
| 341 | S212     | 402.0  | 3441.5 | 80:37                |
| 342 | S213     | 402.0  | 3498.5 | 80:37                |
| 343 | S214     | 402.0  | 3555.5 | 80:37                |
| 344 | S215     | 402.0  | 3612.5 | 80:37                |
| 345 | S216     | 402.0  | 3669.5 | 80:37                |
| 346 | S217     | 402.0  | 3726.5 | 80:37                |
| 347 | S218     | 402.0  | 3783.5 | 80:37                |
| 348 | S219     | 402.0  | 3840.5 | 80:37                |
| 349 | S220     | 402.0  | 3897.5 | 80:37                |
| 350 | S221     | 402.0  | 3954.5 | 80:37                |
| 351 | S222     | 402.0  | 4011.5 | 80:37                |
| 352 | S223     | 402.0  | 4068.5 | 80:37                |
| 353 | S224     | 402.0  | 4125.5 | 80:37                |
| 354 | S225     | 402.0  | 4182.5 | 80:37                |
| 355 | S226     | 402.0  | 4239.5 | 80:37                |
| 356 | S227     | 402.0  | 4296.5 | 80:37                |
| 357 | S228     | 402.0  | 4353.5 | 80:37                |
| 358 | S229     | 402.0  | 4410.5 | 80:37                |
| 359 | S230     | 402.0  | 4467.5 | 80:37                |
| 360 | S231     | 402.0  | 4524.5 | 80:37                |
| 361 | S232     | 402.0  | 4581.5 | 80:37                |
| 362 | S233     | 402.0  | 4638.5 | 80:37                |
| 363 | S234     | 402.0  | 4695.5 | 80:37                |
| 364 | S235     | 402.0  | 4752.5 | 80:37                |
| 365 | S236     | 402.0  | 4809.5 | 80:37                |
| 366 | S237     | 402.0  | 4866.5 | 80:37                |
| 367 | S238     | 402.0  | 4923.5 | 80:37                |
| 368 | S239     | 402.0  | 4980.5 | 80:37                |
| 369 | S240     | 402.0  | 5037.5 | 80:37                |
| 370 | S241     | 402.0  | 5094.5 | 80:37                |
| 371 | S242     | 402.0  | 5151.5 | 80:37                |
| 372 | S243     | 402.0  | 5208.5 | 80:37                |
| 373 | S244     | 402.0  | 5265.5 | 80:37                |
| 374 | S245     | 402.0  | 5322.5 | 80:37                |
| 375 | S246     | 402.0  | 5379.5 | 80:37                |
| 376 | S247     | 402.0  | 5436.5 | 80:37                |
| 377 | S248     | 402.0  | 5493.5 | 80:37                |
| 378 | S249     | 402.0  | 5550.5 | 80:37                |
| 379 | S250     | 402.0  | 5607.5 | 80:37                |
| 380 | S251     | 402.0  | 5664.5 | 80:37                |
| 381 | S252     | 402.0  | 5721.5 | 80:37                |
| 382 | S253     | 402.0  | 5778.5 | 80:37                |
| 383 | S254     | 402.0  | 5835.5 | 80:37                |
| 384 | S255     | 402.0  | 5892.5 | 80:37                |
| 385 | S256     | 402.0  | 5949.5 | 80:37                |

| No. | PAD Name         | X [μm] | Y [μm]  | Bump Size (X:Y) [μm] |
|-----|------------------|--------|---------|----------------------|
| 386 | S257             | 402.0  | 6006.5  | 80:37                |
| 387 | S258             | 402.0  | 6063.5  | 80:37                |
| 388 | S259             | 402.0  | 6120.5  | 80:37                |
| 389 | S260             | 402.0  | 6177.5  | 80:37                |
| 390 | S261             | 402.0  | 6234.5  | 80:37                |
| 391 | S262             | 402.0  | 6291.5  | 80:37                |
| 392 | S263             | 402.0  | 6348.5  | 80:37                |
| 393 | S264             | 402.0  | 6405.5  | 80:37                |
| 394 | S265             | 402.0  | 6462.5  | 80:37                |
| 395 | S266             | 402.0  | 6519.5  | 80:37                |
| 396 | S267             | 402.0  | 6576.5  | 80:37                |
| 397 | S268             | 402.0  | 6633.5  | 80:37                |
| 398 | S269             | 402.0  | 6690.5  | 80:37                |
| 399 | S270             | 402.0  | 6747.5  | 80:37                |
| 400 | S271             | 402.0  | 6804.5  | 80:37                |
| 401 | S272             | 402.0  | 6861.5  | 80:37                |
| 402 | S273             | 402.0  | 6918.5  | 80:37                |
| 403 | S274             | 402.0  | 6975.5  | 80:37                |
| 404 | S275             | 402.0  | 7032.5  | 80:37                |
| 405 | S276             | 402.0  | 7089.5  | 80:37                |
| 406 | S277             | 402.0  | 7146.5  | 80:37                |
| 407 | S278             | 402.0  | 7203.5  | 80:37                |
| 408 | S279             | 402.0  | 7260.5  | 80:37                |
| 409 | S280             | 402.0  | 7317.5  | 80:37                |
| 410 | S281             | 402.0  | 7374.5  | 80:37                |
| 411 | S282             | 402.0  | 7431.5  | 80:37                |
| 412 | S283             | 402.0  | 7488.5  | 80:37                |
| 413 | S284             | 402.0  | 7545.5  | 80:37                |
| 414 | S285             | 402.0  | 7602.5  | 80:37                |
| 415 | S286             | 402.0  | 7659.5  | 80:37                |
| 416 | S287             | 402.0  | 7716.5  | 80:37                |
| 417 | S288             | 402.0  | 7773.5  | 80:37                |
| 418 | S289             | 402.0  | 7830.5  | 80:37                |
| 419 | S290             | 402.0  | 7887.5  | 80:37                |
| 420 | S291             | 402.0  | 7944.5  | 80:37                |
| 421 | S292             | 402.0  | 8001.5  | 80:37                |
| 422 | S293             | 402.0  | 8058.5  | 80:37                |
| 423 | S294             | 402.0  | 8115.5  | 80:37                |
| 424 | S295             | 402.0  | 8172.5  | 80:37                |
| 425 | S296             | 402.0  | 8229.5  | 80:37                |
| 426 | S297             | 402.0  | 8286.5  | 80:37                |
| 427 | S298             | 402.0  | 8343.5  | 80:37                |
| 428 | S299             | 402.0  | 8400.5  | 80:37                |
| 429 | S300             | 402.0  | 8457.5  | 80:37                |
| 430 | Dummy4           | 402.0  | 8514.5  | 80:37                |
| 431 | VSS2             | 320.2  | 8769.0  | 60:100               |
| 432 | VSS2             | 240.2  | 8769.0  | 60:100               |
| 433 | VSS2             | 160.2  | 8769.0  | 60:100               |
| 434 | VSS2             | 80.2   | 8769.0  | 60:100               |
| 435 | VSS2             | 0.2    | 8769.0  | 60:100               |
| 436 | VSS2             | -79.8  | 8769.0  | 60:100               |
| 437 | VSS2             | -159.8 | 8769.0  | 60:100               |
| 438 | VSS2             | -239.8 | 8769.0  | 60:100               |
| 439 | VSS2             | -319.8 | 8769.0  | 60:100               |
| 440 | VSS2             | -399.8 | 8769.0  | 60:100               |
| 441 | Alignment mark 1 | 429.2  | 8779.8  |                      |
| 442 | Alignment mark 2 | 429.2  | -8779.8 |                      |

4. PIN FUNCTIONS

| Symbol                             | Pin Name                                       | Pad No.                | I/O    | Description                                                                                                                                                                                                                                                                                                                                                                                                                     |      |       |        |                       |   |   |                         |   |   |              |   |   |                         |   |   |
|------------------------------------|------------------------------------------------|------------------------|--------|---------------------------------------------------------------------------------------------------------------------------------------------------------------------------------------------------------------------------------------------------------------------------------------------------------------------------------------------------------------------------------------------------------------------------------|------|-------|--------|-----------------------|---|---|-------------------------|---|---|--------------|---|---|-------------------------|---|---|
| C1 to C3                           | Video signal input                             | 30 to 47               | Input  | Input R, G, and B video signals.                                                                                                                                                                                                                                                                                                                                                                                                |      |       |        |                       |   |   |                         |   |   |              |   |   |                         |   |   |
| S <sub>1</sub> to S <sub>300</sub> | Video signal output                            | 130 to 429             | Output | Video signal output pins. Output sampled and held video signals during horizontal period.                                                                                                                                                                                                                                                                                                                                       |      |       |        |                       |   |   |                         |   |   |              |   |   |                         |   |   |
| STHR, STHL                         | Cascade I/O                                    | 81 to 86, 48 to 53     | I/O    | Start pulse I/O pins of sample hold timing. STHR serves as an input pin and STHL, as an output pin, in the case of right shift. In the case of left shift, STHL serves as an input pin, and STHR, as an output pin.                                                                                                                                                                                                             |      |       |        |                       |   |   |                         |   |   |              |   |   |                         |   |   |
| CLI1 to CLI3                       | Shift clock input                              | 69 to 77               | Input  | A start pulse is read at the rising edge of CLI1. Sampling pulse SHP <sub>n</sub> is generated at the rising edge of CLI1 through CLI3 during successive sampling, and at the rising edge of CLI1 during simultaneous sampling (for details, refer to the Timing charts in <b>5. FUNCTIONAL DESCRIPTION</b> ).                                                                                                                  |      |       |        |                       |   |   |                         |   |   |              |   |   |                         |   |   |
| INH                                | Inhibit input                                  | 66 to 68               | Input  | Selects a multiplexer and one of the two sample and hold circuits at the falling edge.                                                                                                                                                                                                                                                                                                                                          |      |       |        |                       |   |   |                         |   |   |              |   |   |                         |   |   |
| RESET                              | Reset input                                    | 63 to 65               | Input  | Resets the select counter of the multiplexer and the selector circuit of the two sample and hold circuits when it goes high. After reset, the multiplexer is turned OFF, so sure to input one pulse of the INH signal before inputting the video signal. If the video signal is input without the INH signal, sampling is not executed.                                                                                         |      |       |        |                       |   |   |                         |   |   |              |   |   |                         |   |   |
| MP/TH                              | Multiplexer circuit select input (1)           | 54 to 56               | Input  | Four types of color filter arrays can be supported by combination of MP/TH and MP/1.5.                                                                                                                                                                                                                                                                                                                                          |      |       |        |                       |   |   |                         |   |   |              |   |   |                         |   |   |
| MP/1.5                             | Multiplexer circuit select input (2)           | 57 to 59               | Input  | <table border="1" style="margin-left: auto; margin-right: auto;"> <thead> <tr> <th>Mode</th> <th>MP/TH</th> <th>MP/1.5</th> </tr> </thead> <tbody> <tr> <td>Vertical stripe array</td> <td>L</td> <td>L</td> </tr> <tr> <td>Single-side delta array</td> <td>L</td> <td>H</td> </tr> <tr> <td>Mosaic array</td> <td>H</td> <td>L</td> </tr> <tr> <td>Double-side delta array</td> <td>H</td> <td>H</td> </tr> </tbody> </table> | Mode | MP/TH | MP/1.5 | Vertical stripe array | L | L | Single-side delta array | L | H | Mosaic array | H | L | Double-side delta array | H | H |
| Mode                               | MP/TH                                          | MP/1.5                 |        |                                                                                                                                                                                                                                                                                                                                                                                                                                 |      |       |        |                       |   |   |                         |   |   |              |   |   |                         |   |   |
| Vertical stripe array              | L                                              | L                      |        |                                                                                                                                                                                                                                                                                                                                                                                                                                 |      |       |        |                       |   |   |                         |   |   |              |   |   |                         |   |   |
| Single-side delta array            | L                                              | H                      |        |                                                                                                                                                                                                                                                                                                                                                                                                                                 |      |       |        |                       |   |   |                         |   |   |              |   |   |                         |   |   |
| Mosaic array                       | H                                              | L                      |        |                                                                                                                                                                                                                                                                                                                                                                                                                                 |      |       |        |                       |   |   |                         |   |   |              |   |   |                         |   |   |
| Double-side delta array            | H                                              | H                      |        |                                                                                                                                                                                                                                                                                                                                                                                                                                 |      |       |        |                       |   |   |                         |   |   |              |   |   |                         |   |   |
| R, <sub>/</sub> L                  | Shift direction select input                   | 60 to 62               | Input  | R, <sub>/</sub> L = H: Right shift: STHR → S <sub>1</sub> → S <sub>300</sub> → STHL<br>R, <sub>/</sub> L = L: Left shift: STHL → S <sub>300</sub> → S <sub>1</sub> → STHR                                                                                                                                                                                                                                                       |      |       |        |                       |   |   |                         |   |   |              |   |   |                         |   |   |
| Osel                               | Selection of Number of outputs switching input | 87 to 89               | Input  | Selects number of outputs.<br>Osel = L: 288 output mode<br>Osel = H: 300 output mode<br>Output pins S <sub>145</sub> through S <sub>156</sub> are invalid in 288 output mode.<br>The signal which is with S <sub>157</sub> to S <sub>168</sub> (R, <sub>/</sub> L = H) or S <sub>133</sub> to S <sub>144</sub> (R, <sub>/</sub> L = L) is output identically.                                                                   |      |       |        |                       |   |   |                         |   |   |              |   |   |                         |   |   |
| RMON1, RMON2                       | Monitor                                        | 2, 3, 116, 117         |        | This pin can measure the connection resistance at the time of COG mounting. RMON1 and RMON2 are each short inside IC. It does not connect with other pins inside IC.                                                                                                                                                                                                                                                            |      |       |        |                       |   |   |                         |   |   |              |   |   |                         |   |   |
| Dummy1 to Dummy4                   | Dummy                                          | 1, 118, 129, 430       |        | No dummy pins are connected with other pins inside IC.                                                                                                                                                                                                                                                                                                                                                                          |      |       |        |                       |   |   |                         |   |   |              |   |   |                         |   |   |
| V <sub>DD1</sub>                   | Logic power supply                             | 23 to 29, 90 to 96     |        | 3.0 to 5.5 V                                                                                                                                                                                                                                                                                                                                                                                                                    |      |       |        |                       |   |   |                         |   |   |              |   |   |                         |   |   |
| V <sub>DD2</sub>                   | Driver power supply                            | 4 to 15, 104 to 115    |        | 5.0 ± 0.5 V                                                                                                                                                                                                                                                                                                                                                                                                                     |      |       |        |                       |   |   |                         |   |   |              |   |   |                         |   |   |
| V <sub>SS1</sub>                   | Logic ground                                   | 16 to 22, 97 to 103    |        | Connect this pin to ground of system.                                                                                                                                                                                                                                                                                                                                                                                           |      |       |        |                       |   |   |                         |   |   |              |   |   |                         |   |   |
| V <sub>SS2</sub>                   | Driver ground                                  | 119 to 128, 431 to 440 |        | Connect this pin to ground of system.                                                                                                                                                                                                                                                                                                                                                                                           |      |       |        |                       |   |   |                         |   |   |              |   |   |                         |   |   |
| TEST                               | Test                                           | 78 to 80               |        | Fix this pin to low level.                                                                                                                                                                                                                                                                                                                                                                                                      |      |       |        |                       |   |   |                         |   |   |              |   |   |                         |   |   |

## 5. FUNCTIONAL DESCRIPTION

### 5.1 Multiplexer Circuit

This circuit selects RGB video signals input to the C1 to C3 pins according to the pixel array of the liquid crystal panel, and outputs the signals to the S<sub>1</sub> through S<sub>300</sub> pins.

Vertical stripe array, single-/double-side delta array, or mosaic array can be selected by using the MP/TH and MP/1.5 pins.

#### 5.1.1 Vertical stripe array mode (MP/TH = L, MP/1.5 = L)

In this mode, the relation between video signals C1 to C3, and output pins is as shown below. This mode is used to drive a panel of vertical stripe array. In this mode, the multiplexer circuit is in the through status.

**Table 5-1. Relation between Video Signals C1 to C3, and Output Pins (during right shift)**

| Line No. (number of INHs) | RESET | INH | S <sub>1</sub> to S <sub>300</sub> | S <sub>2</sub> to S <sub>299</sub> | S <sub>3</sub> to S <sub>298</sub> | S <sub>4</sub> to S <sub>297</sub> | ... | S <sub>299</sub> to S <sub>2</sub> | S <sub>300</sub> to S <sub>1</sub> |
|---------------------------|-------|-----|------------------------------------|------------------------------------|------------------------------------|------------------------------------|-----|------------------------------------|------------------------------------|
| 0                         | H     | L   | Sampling C1 (C3)                   | Sampling C2 (C2)                   | Sampling C3 (C1)                   | Sampling C1 (C3)                   | ... | Sampling C2 (C2)                   | Sampling C3 (C1)                   |
| 1                         | L     | ↓   | Output C1 (C3)                     | Output C2 (C2)                     | Output C3 (C1)                     | Output C1 (C3)                     | ... | Output C2 (C2)                     | Output C3 (C1)                     |
| 2                         | L     | ↓   | Output C1 (C3)                     | Output C2 (C2)                     | Output C3 (C1)                     | Output C1 (C3)                     | ... | Output C2 (C2)                     | Output C3 (C1)                     |
| 3                         | L     | ↓   | Output C1 (C3)                     | Output C2 (C2)                     | Output C3 (C1)                     | Output C1 (C3)                     | ... | Output C2 (C2)                     | Output C3 (C1)                     |
| :                         | :     | :   | :                                  | :                                  | :                                  | :                                  | ... | :                                  | :                                  |

**Remark** ( ) indicates the case of left shift.

**Figure 5-1. Pixel Arrangement of Vertical Stripe Array and Multiplexer Operation**

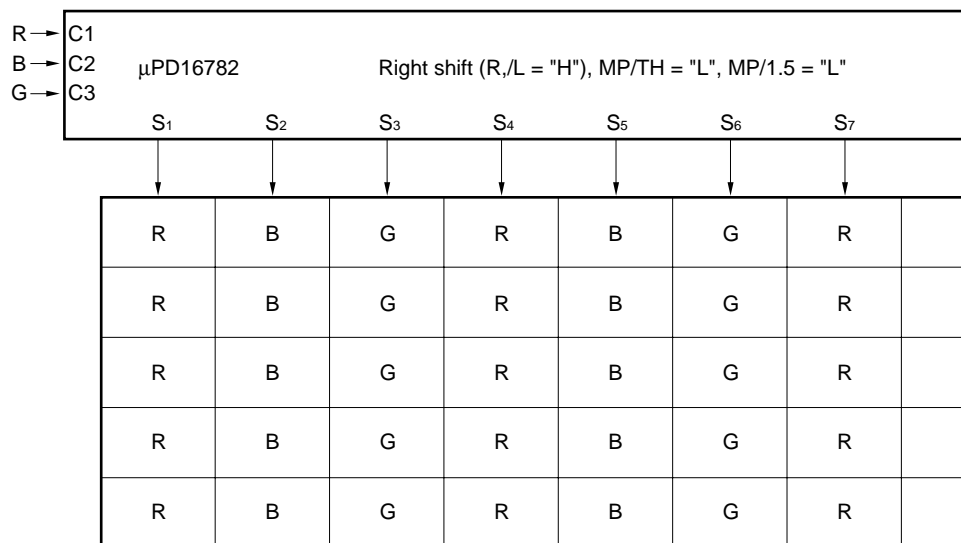
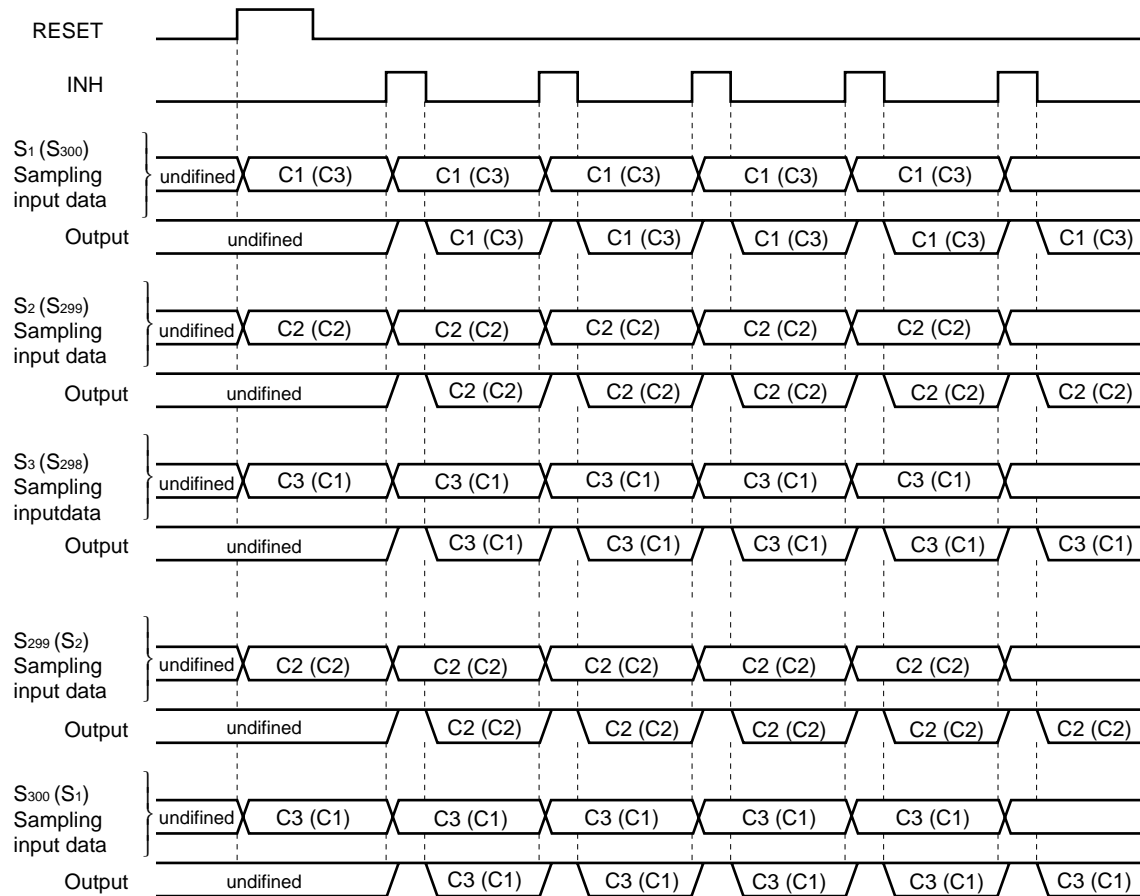


Figure 5-2. Timing Chart of Vertical Stripe Array



5.1.2 Single-side delta array mode (MP/TH = L, MP/1.5 = H)

Table 5-2. Relation between Video Signals C1 to C3, and Output Pins

| Line No. (number of INHs) | RESET | INH | S <sub>1</sub> to S <sub>300</sub> | S <sub>2</sub> to S <sub>299</sub> | S <sub>3</sub> to S <sub>298</sub> | S <sub>4</sub> to S <sub>297</sub> | ... | S <sub>299</sub> to S <sub>2</sub> | S <sub>300</sub> to S <sub>1</sub> |
|---------------------------|-------|-----|------------------------------------|------------------------------------|------------------------------------|------------------------------------|-----|------------------------------------|------------------------------------|
| 0                         | H     | L   | Undefined                          | Undefined                          | Undefined                          | Undefined                          | ... | Undefined                          | Undefined                          |
| 1                         | L     | ↓   | Sampling C1 (C3)                   | Sampling C2 (C2)                   | Sampling C3 (C1)                   | Sampling C1 (C3)                   | ... | Sampling C2 (C2)                   | Sampling C3 (C1)                   |
| 2                         | L     | ↓   | Output C1 (C3)                     | Output C2 (C2)                     | Output C3 (C1)                     | Output C1 (C3)                     | ... | Output C2 (C2)                     | Output C3 (C1)                     |
| 3                         | L     | ↓   | Output C2 (C1)                     | Output C3 (C3)                     | Output C1 (C2)                     | Output C2 (C1)                     | ... | Output C3 (C3)                     | Output C1 (C2)                     |
| 4                         | L     | ↓   | Output C1 (C3)                     | Output C2 (C2)                     | Output C3 (C1)                     | Output C1 (C3)                     | ... | Output C2 (C2)                     | Output C3 (C1)                     |
| 5                         | L     | ↓   | Output C2 (C1)                     | Output C3 (C3)                     | Output C1 (C2)                     | Output C2 (C1)                     | ... | Output C3 (C3)                     | Output C1 (C2)                     |
| :                         | :     | :   | :                                  | :                                  | :                                  | :                                  | ... | :                                  | :                                  |

Remark ( ) indicates the case of left shift.

Figure 5-3. Pixel Arrangement of Single-Side Delta Array and Multiplexer Operation

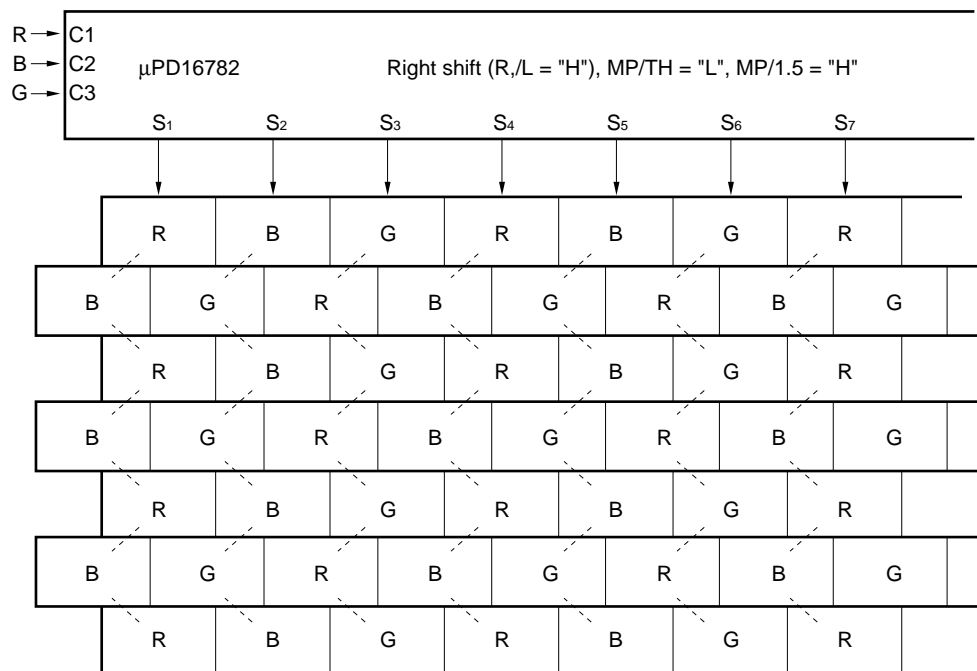
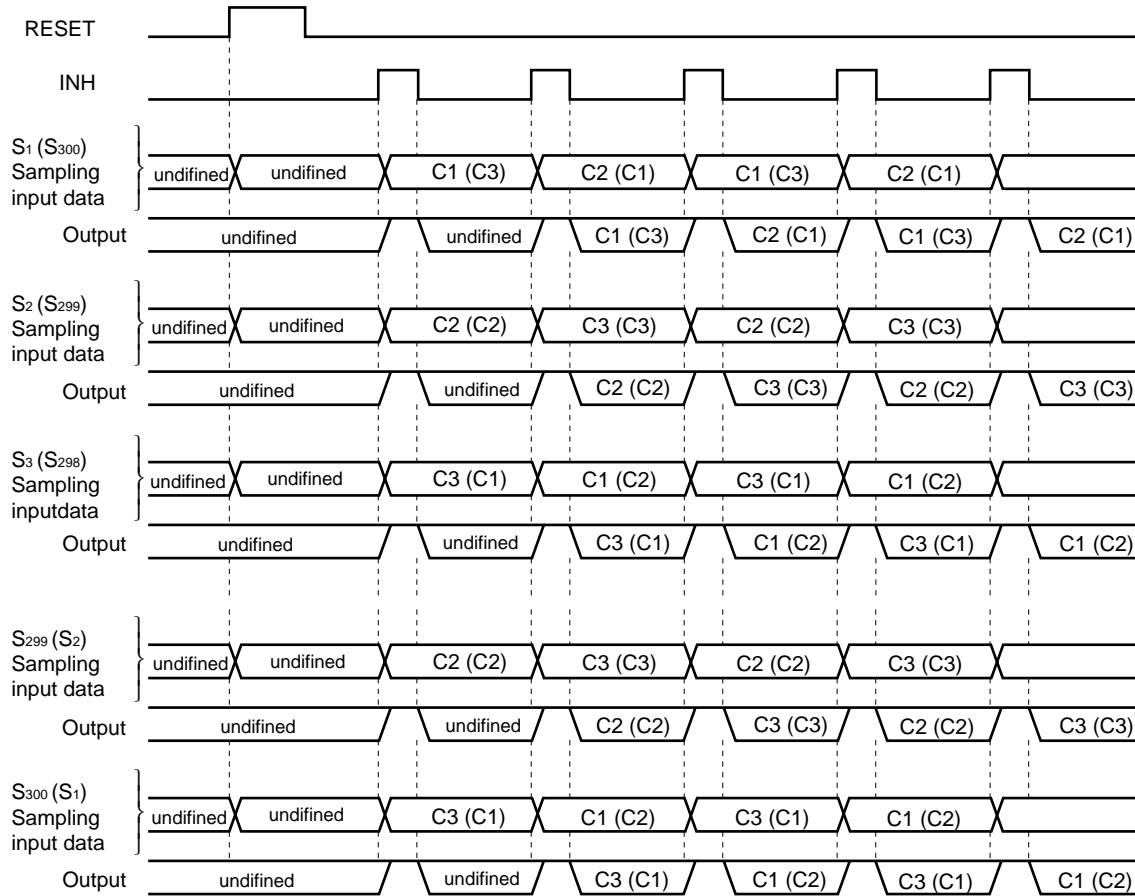


Figure 5-4. Timing Chart of Single-Side Delta Array



5.1.3 Double-side delta array mode (MP/TH = H, MP/1.5 = H)

Table 5-3. Relation between Video Signals C1 to C3 and Output Pins

| Line No. (number of INHs) | RESET | INH | S <sub>1</sub> to S <sub>300</sub> | S <sub>2</sub> to S <sub>299</sub> | S <sub>3</sub> to S <sub>298</sub> | S <sub>4</sub> to S <sub>297</sub> | ... | S <sub>299</sub> to S <sub>2</sub> | S <sub>300</sub> to S <sub>1</sub> |
|---------------------------|-------|-----|------------------------------------|------------------------------------|------------------------------------|------------------------------------|-----|------------------------------------|------------------------------------|
| 0                         | H     | L   | Undefined                          | Undefined                          | Undefined                          | Undefined                          | ... | Undefined                          | Undefined                          |
| 1                         | L     | ↓   | Sampling C2 (C3)                   | Sampling C3 (C2)                   | Sampling C1 (C1)                   | Sampling C2 (C3)                   | ... | Sampling C3 (C2)                   | Sampling C1 (C1)                   |
| 2                         | L     | ↓   | Output C2 (C3)                     | Output C3 (C2)                     | Output C1 (C1)                     | Output C2 (C3)                     | ... | Output C3 (C2)                     | Output C1 (C1)                     |
| 3                         | L     | ↓   | Output C1 (C1)                     | Output C2 (C3)                     | Output C3 (C2)                     | Output C1 (C1)                     | ... | Output C2 (C3)                     | Output C3 (C2)                     |
| 4                         | L     | ↓   | Output C2 (C3)                     | Output C3 (C2)                     | Output C1 (C1)                     | Output C2 (C3)                     | ... | Output C3 (C2)                     | Output C1 (C1)                     |
| 5                         | L     | ↓   | Output C1 (C1)                     | Output C2 (C3)                     | Output C3 (C2)                     | Output C1 (C1)                     | ... | Output C2 (C3)                     | Output C3 (C2)                     |
| :                         | :     | :   | :                                  | :                                  | :                                  | :                                  | ... | :                                  | :                                  |

Remark ( ) indicates the case of left shift.

Figure 5-5. Pixel Arrangement of Double-Side Delta Array and Multiplexer Operation

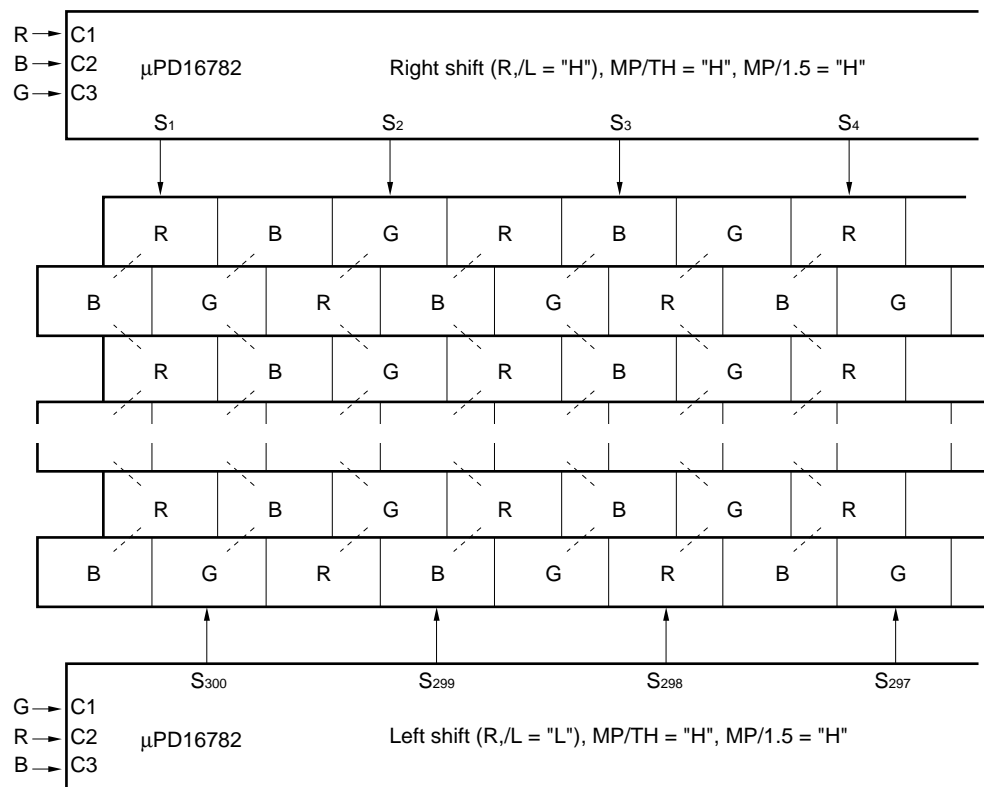
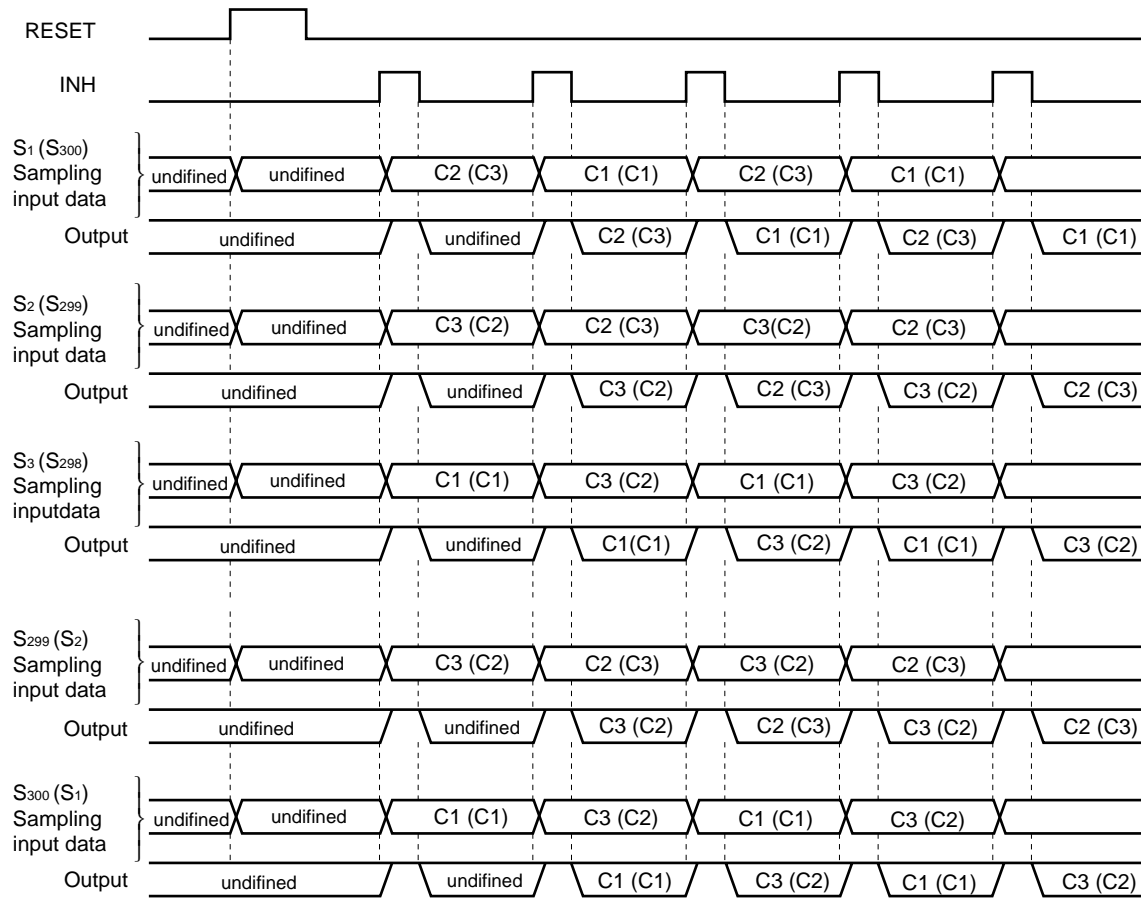


Figure 5-6. Timing Chart of Both-Sides Delta Array





5.1.4 Mosaic array mode (MP/TH = H, MP/1.5 = L)

Table 5-4. Relation between Video Signals C1 to C3, and Output Pins

| Line No. (number of INHs) | RESET | INH | S <sub>1</sub> to S <sub>300</sub> | S <sub>2</sub> to S <sub>299</sub> | S <sub>3</sub> to S <sub>298</sub> | S <sub>4</sub> to S <sub>297</sub> | ... | S <sub>299</sub> to S <sub>2</sub> | S <sub>300</sub> to S <sub>1</sub> |
|---------------------------|-------|-----|------------------------------------|------------------------------------|------------------------------------|------------------------------------|-----|------------------------------------|------------------------------------|
| 0                         | H     | L   | Undefined                          | Undefined                          | Undefined                          | Undefined                          | ... | Undefined                          | Undefined                          |
| 1                         | L     | ↓   | Sampling C1 (C3)                   | Sampling C2 (C2)                   | Sampling C3 (C1)                   | Sampling C1 (C3)                   | ... | Sampling C2 (C2)                   | Sampling C3 (C1)                   |
| 2                         | L     | ↓   | Output C1 (C3)                     | Output C2 (C2)                     | Output C3 (C1)                     | Output C1 (C3)                     | ... | Output C2 (C2)                     | Output C3 (C1)                     |
| 3                         | L     | ↓   | Output C3 (C2)                     | Output C1 (C1)                     | Output C2 (C3)                     | Output C3 (C2)                     | ... | Output C1 (C1)                     | Output C2 (C3)                     |
| 4                         | L     | ↓   | Output C2 (C1)                     | Output C3 (C3)                     | Output C1 (C2)                     | Output C2 (C1)                     | ... | Output C3 (C3)                     | Output C1 (C2)                     |
| 5                         | L     | ↓   | Output C1 (C3)                     | Output C2 (C2)                     | Output C3 (C1)                     | Output C1 (C3)                     | ... | Output C2 (C2)                     | Output C3 (C1)                     |
| :                         | :     | :   | :                                  | :                                  | :                                  | :                                  | ... | :                                  | :                                  |

Remark ( ) indicates the case of left shift.

Figure 5-7. Pixel Arrangement of Mosaic Array and Multiplexer Operation

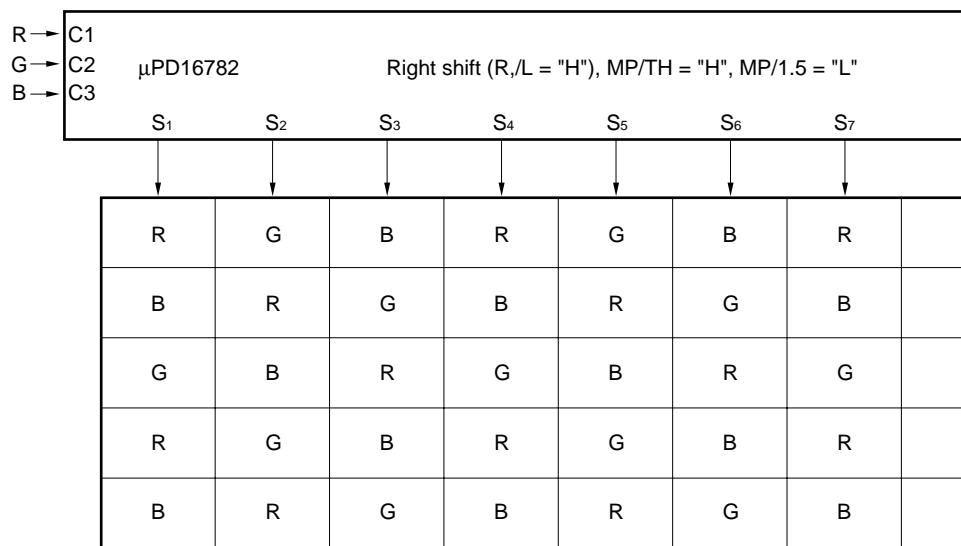
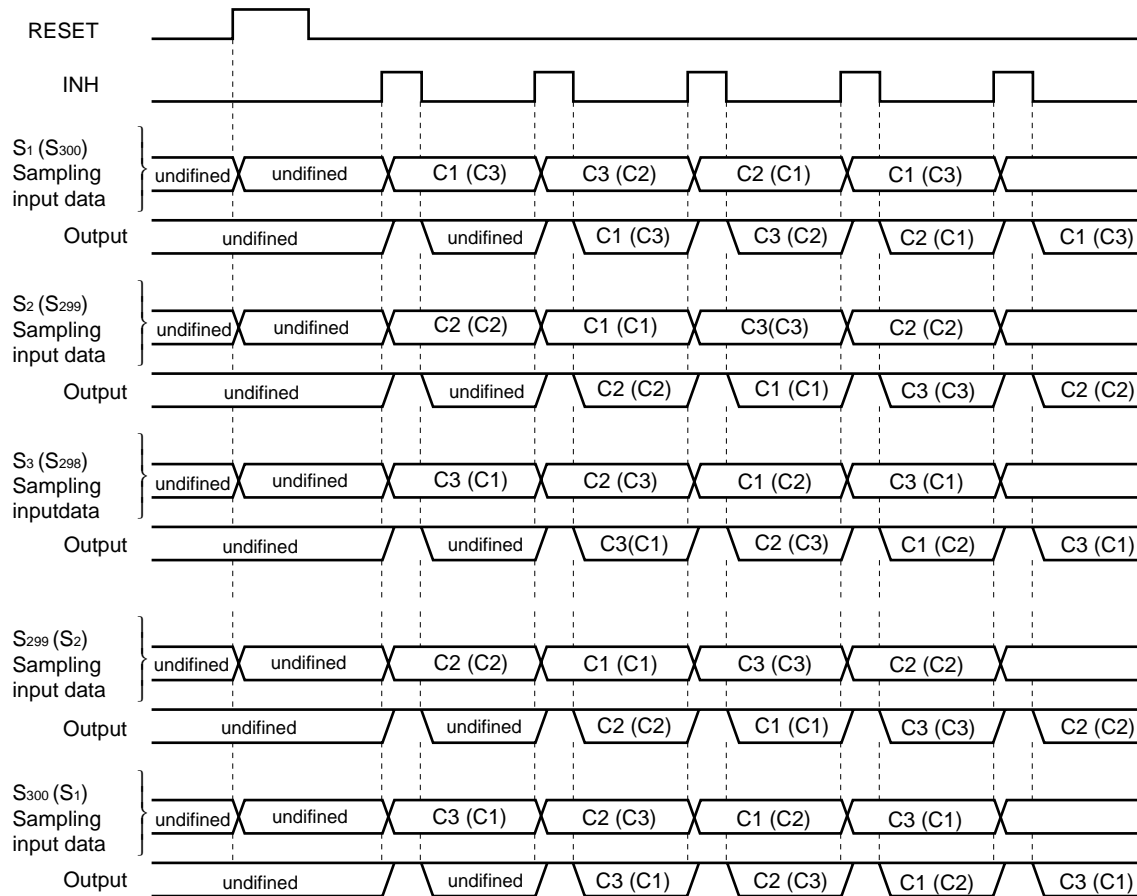
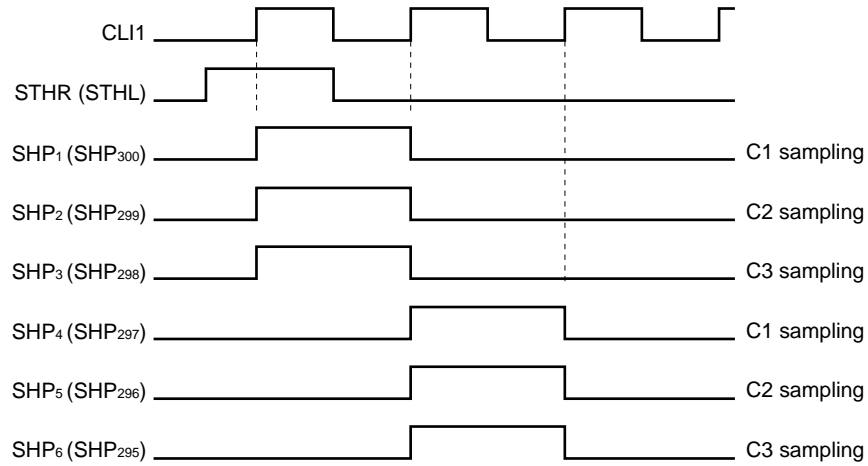


Figure 5-8. Timing Chart of Mosaic Array



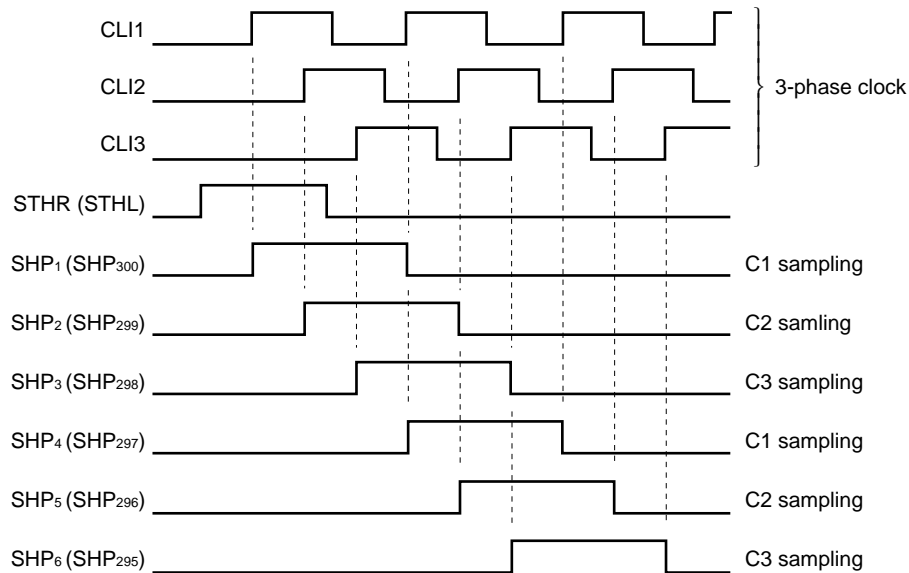
5.1.5 Relation between Shift Clock CLIn and Internal Sampling Pulse SHPn

(1) Simultaneous sampling ( ) indicates the case of left shift.)



**Remark** C1 through C3 are sampled while SHPn is high level.

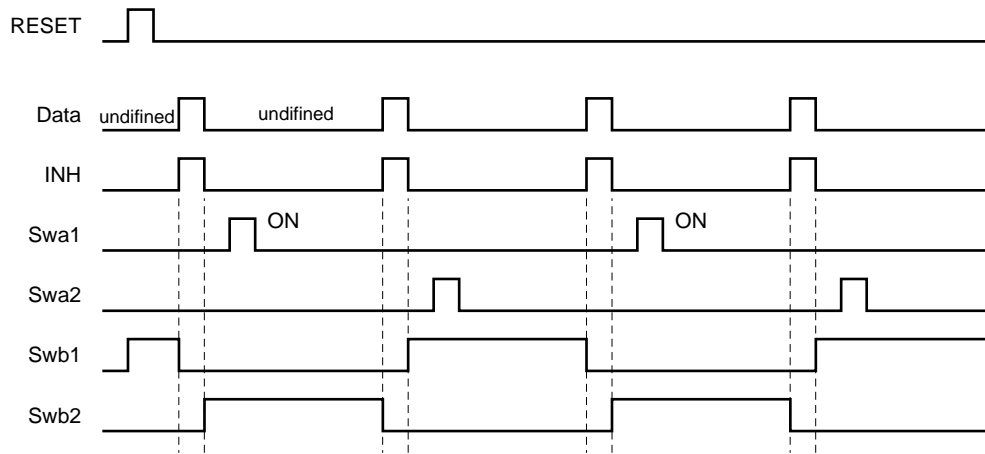
(2) Successive sampling ( ) indicates the case of left shift.)



- Remarks 1.** Input a three-phase clock to shift clock pins CLI1 through CLI3.
- 2.** The video signals (C1 to C3) are sampled while SHPn is high level.

### 5.2 Sample and Hold Circuit

The sample and hold circuit samples and holds the video input signals C1 through C3 selected by the multiplexer circuit in the timing shown below. Swa1 through Swb2 are reset by the RESET signal and change at the rising and falling edges of the INH signal (refer to 1. **BLOCK DIAGRAM.**).



### 5.3 Write Operation Timing

The sampled video signals are written to the LCD panel by output currents  $I_{VOL}$  and  $I_{VOH}$  via output buffer. The dynamic range is 4.3 V MIN. ( $V_{DD2} = 5.0$  V).

While  $INH = H$ , do not stop shift clocks  $CLI1$  through  $CLI3$ .

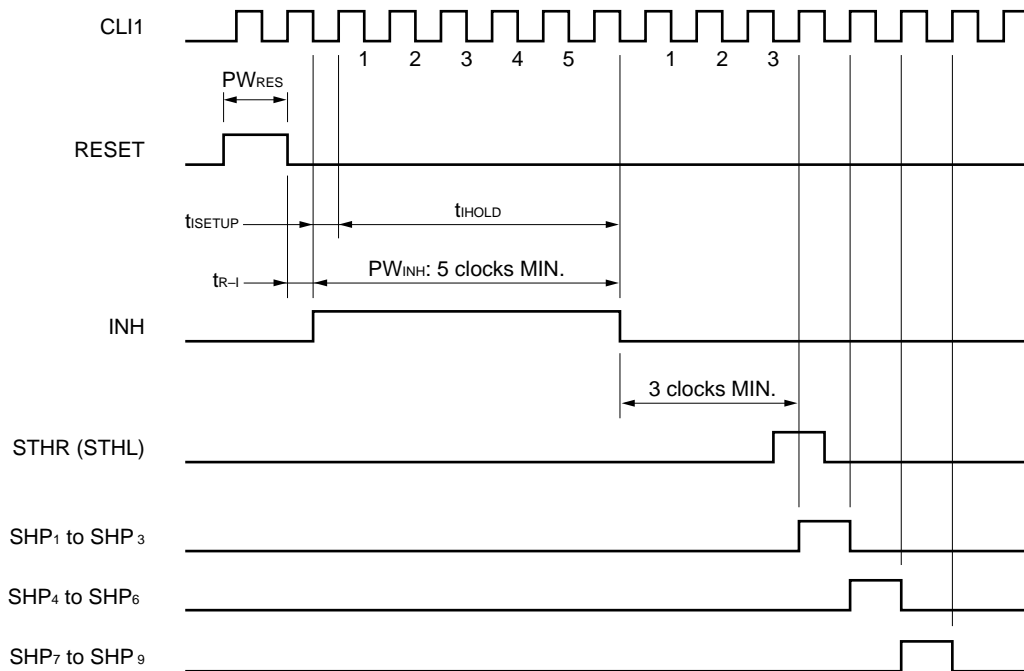
The output operation of this IC is controlled by  $INH$  signals.

$INH = Hi-Z$

$INH =$  Connected with internal circuit (switch sample and hold circuit at the falling edge.)

Therefore, performing  $V_{COM}$  inversion while  $INH = L$  causes current flow to these IC output pins, which may result in malfunction. Perform  $V_{COM}$  inversion during  $INH = H$  (Hi-Z) and start output operation of the next line after the  $V_{COM}$  signal is stable enough to operate. Make sure to evaluate this output operation sufficiently.

- Cautions**
1. Turn on power to  $V_{DD1}$ , logic input,  $V_{DD2}$ , and video signal input in that order to prevent destruction due to latch-up, and turn off power in the reverse sequence. Observe this power sequence even during the transition period.
  2. The μPD16782 is designed to input successive signals such as chrome signals. The input band of the video signals is designed to be 9 MHz MAX. If video signals faster than that are input, display is not performed correctly.
  3. Insert a bypass capacitor of 0.1 μF between  $V_{DD1}$  and  $V_{SS1}$  and between  $V_{DD2}$  and  $V_{SS2}$ . If the power supply is not reinforced, the sampling voltage may be abnormal if the supply voltage fluctuates.
  4. Display may not be correctly performed if noise is superimposed on the start pulse pin. Therefore, be sure to input a reset signal during the vertical blanking period.
  5. Even if the start pulse width is extended by half a clock or more, sampling start timing SHP<sub>1</sub> is not affected, and the sampling operation is performed normally.
  6. When the multiplexer circuit is used in the vertical stripe mode, C1 to C3 are simultaneously sampled at the rising edge of SHP<sub>n</sub>. Internally, however, only CLI1 is valid. Therefore, input a shift clock to CLI1 only. At this time, keep the CLI2 and CLI3 pins to "L".  
When using the multiplexer circuit in the delta array mode or mosaic array mode, C1 to C3 are sequentially sampled. Input a three-phase clock to CLI1 through CLI3 (for the sampling timing, refer to 2. FUNCTIONAL DESCRIPTION.).
  7. The recommended timing of  $t_{R-1}$  and  $PW_{RES}$  on starting is shown below (The following timing chart shows simultaneous sampling.).  
An INH pulse width of at least 5 clocks is required to reset the internal logic. Unless the INH pulse is input after reset, sampling is not performed in the correct sequence.



6. ELECTRICAL SPECIFICATIONS

**Absolute Maximum Ratings (T<sub>A</sub> = 25°C, V<sub>SS1</sub> = 0 V)**

| Parameter                     | Symbol           | Condition | Ratings                       | Unit |
|-------------------------------|------------------|-----------|-------------------------------|------|
| Logic supply voltage          | V <sub>DD1</sub> |           | -0.5 to +6.0                  | V    |
| Driver supply voltage         | V <sub>DD2</sub> |           | -0.5 to +6.0                  | V    |
| Logic input voltage           | V <sub>I</sub>   |           | -0.5 to V <sub>DD1</sub> +0.5 | V    |
| Video input voltage           | V <sub>VI</sub>  | C1 to C3  | -0.5 to V <sub>DD2</sub> +0.5 | V    |
| Logic output voltage          | V <sub>O1</sub>  |           | -0.5 to V <sub>DD1</sub> +0.5 | V    |
| Driver output voltage         | V <sub>O2</sub>  |           | -0.5 to V <sub>DD2</sub> +0.5 | V    |
| Driver output current         | I <sub>O2</sub>  |           | ±10                           | mA   |
| Operating ambient temperature | T <sub>A</sub>   |           | -30 to +85                    | °C   |
| Storage temperature           | T <sub>stg</sub> |           | -65 to +125                   | °C   |

**Caution** Product quality may suffer if the absolute maximum rating is exceeded even momentarily for any parameter. That is, the absolute maximum ratings are rated values at which the product is on the verge of suffering physical damage, and therefore the product must be used under conditions that ensure that the absolute maximum ratings are not exceeded.

**Recommended Operating Conditions (T<sub>A</sub> = -40 to +85°C, V<sub>SS1</sub> = V<sub>SS2</sub> = 0 V)**

| Parameter                | Symbol           | Condition | MIN.                    | TYP. | MAX.                    | Unit |
|--------------------------|------------------|-----------|-------------------------|------|-------------------------|------|
| Logic supply voltage     | V <sub>DD1</sub> |           | 3.0                     | 3.3  | 5.5                     | V    |
| Driver supply voltage    | V <sub>DD2</sub> |           | 4.5                     | 5.0  | 5.5                     | V    |
| Video input voltage      | V <sub>VI</sub>  |           | V <sub>SS2</sub> + 0.35 |      | V <sub>DD2</sub> - 0.35 | V    |
| Driver output voltage    | V <sub>O2</sub>  |           | V <sub>SS2</sub> + 0.35 |      | V <sub>DD2</sub> - 0.35 | V    |
| High level Input voltage | V <sub>IH</sub>  |           | 0.7 V <sub>DD1</sub>    |      | V <sub>DD1</sub>        | V    |
| Low level Input voltage  | V <sub>IL</sub>  |           | 0                       |      | 0.3 V <sub>DD1</sub>    | V    |

**Electrical Characteristics (T<sub>A</sub> = -30 to +85 °C, V<sub>DD1</sub> = 3.0 to 5.5 V, V<sub>DD2</sub> = 5.0 V ± 0.5 V, V<sub>SS1</sub> = V<sub>SS2</sub> = 0 V)**

| Parameter                              | Symbol            | Condition                                                                                                                       | MIN.                           | TYP.  | MAX.                 | Unit |     |
|----------------------------------------|-------------------|---------------------------------------------------------------------------------------------------------------------------------|--------------------------------|-------|----------------------|------|-----|
| Maximum video signal output voltage    | V <sub>VOH</sub>  |                                                                                                                                 | V <sub>DD2</sub> - 0.35        |       |                      | V    |     |
| Minimum video signal output voltage    | V <sub>VOL</sub>  |                                                                                                                                 |                                |       | 0.35                 | V    |     |
| Logic high level output voltage        | V <sub>LOH</sub>  | STHL, STHR pins,<br>I <sub>OH</sub> = -1.0 mA                                                                                   | 0.9 V <sub>DD1</sub>           |       |                      | V    |     |
| Logic low level output voltage         | V <sub>LOL</sub>  | STHL, STHR pins<br>I <sub>OL</sub> = 1.0 mA                                                                                     |                                |       | 0.1 V <sub>DD1</sub> | V    |     |
| Video signal high level output current | I <sub>VOH</sub>  | INH = L, V <sub>OF</sub> = V <sub>DD2</sub> - 1.0 V<br>V <sub>O</sub> = V <sub>DD2</sub> - 0.5 V                                |                                | -0.20 | -0.08                | mA   |     |
| Video signal low level output current  | I <sub>VOL</sub>  | INH = L,<br>V <sub>OF</sub> = 1.0 V, V <sub>O</sub> = 0.5 V                                                                     | 0.08                           | 0.20  |                      | mA   |     |
| Reference voltage 1                    | V <sub>REF1</sub> | V <sub>DD2</sub> = 5.0 V, T <sub>A</sub> = 25°C,<br>V <sub>VI</sub> = 0.5 V                                                     |                                | 0.49  |                      | V    |     |
| Reference voltage 2                    | V <sub>REF2</sub> | V <sub>DD2</sub> = 5.0 V, T <sub>A</sub> = 25°C,<br>V <sub>VI</sub> = 2.0 V                                                     |                                | 1.99  |                      | V    |     |
| Reference voltage 3                    | V <sub>REF3</sub> | V <sub>DD2</sub> = 5.0 V, T <sub>A</sub> = 25°C,<br>V <sub>VI</sub> = 3.5 V                                                     |                                | 3.49  |                      | V    |     |
| Output voltage deviation 1             | ΔV <sub>VO1</sub> | V <sub>DD2</sub> = 5.0 V, T <sub>A</sub> = 25°C,<br>V <sub>VI</sub> = 0.5 V                                                     |                                |       | ±30                  | mV   |     |
| Output voltage deviation 2             | ΔV <sub>VO2</sub> | V <sub>DD2</sub> = 5.0 V, T <sub>A</sub> = 25°C,<br>V <sub>VI</sub> = 2.0 V                                                     |                                |       | ±30                  | mV   |     |
| Output voltage deviation 3             | ΔV <sub>VO3</sub> | V <sub>DD2</sub> = 5.0 V, T <sub>A</sub> = 25°C,<br>V <sub>VI</sub> = 3.5 V                                                     |                                |       | ±30                  | mV   |     |
| Logic input leakage current            | I <sub>LL</sub>   | Logic input except Osel                                                                                                         |                                |       | ±1.0                 | μA   |     |
|                                        |                   | Osel, V <sub>I</sub> = V <sub>DD</sub> = 3.3 V                                                                                  |                                | 90    |                      | μA   |     |
| Video input leakage current            | I <sub>VL</sub>   |                                                                                                                                 |                                |       | ±10                  | μA   |     |
| Logic dynamic current consumption      | I <sub>DD1</sub>  | f <sub>CLI</sub> = 14 MHz<br>V <sub>VI</sub> = 2.0 V,<br>no load,<br>f <sub>INH</sub> = 15.4 kHz,<br>PW <sub>INH</sub> = 5.0 μs | V <sub>DD1</sub> = 3.3 ± 0.3 V |       |                      | 3    | mA  |
|                                        |                   |                                                                                                                                 | V <sub>DD1</sub> = 5.0 ± 0.5 V |       |                      |      | 4.5 |
| Driver dynamic current consumption     | I <sub>DD2</sub>  | f <sub>CLI</sub> = 14 MHz<br>V <sub>VI</sub> = 2.0 V,<br>no load,<br>f <sub>INH</sub> = 15.4 kHz,<br>PW <sub>INH</sub> = 5.0 μs |                                |       |                      | 12   | mA  |

**Remarks 1.** V<sub>OF</sub>: output applied voltage, V<sub>O</sub>: output voltage without load

**2.** The reference values are typical values only. The output deviation is only guaranteed within the chip.

**Switching Characteristics (T<sub>A</sub> = -30 to +85°C, V<sub>DD1</sub> = 3.0 to 5.5 V, V<sub>DD2</sub> = 5.0 V ± 0.5 V, V<sub>SS1</sub> = V<sub>SS2</sub> = 0 V)**

| Parameter                          | Symbol             | Condition                         | MIN. | TYP. | MAX. | Unit |
|------------------------------------|--------------------|-----------------------------------|------|------|------|------|
| Start pulse propagation delay time | t <sub>PHL</sub>   | C <sub>L</sub> = 20 pF            | 10   |      | 54   | ns   |
|                                    | t <sub>PLH</sub>   | C <sub>L</sub> = 20 pF            | 10   |      | 54   | ns   |
| Clock frequency 1                  | f <sub>CLK 1</sub> |                                   |      |      | 15   | MHz  |
| Clock frequency 2                  | f <sub>CLK 2</sub> | With 3-phase clock input          |      |      | 8    | MHz  |
| Logic input capacitance            | C <sub>I1</sub>    | Other than STHL, STHR             |      |      | 15   | pF   |
| STHL, STHR input capacitance       | C <sub>I2</sub>    | STHL, STHR                        |      |      | 20   | pF   |
| Video input capacitance            | C <sub>3</sub>     | C1 to C3, V <sub>VI</sub> = 2.0 V |      |      | 50   | pF   |

**Timing Requirements (T<sub>A</sub> = -30 to +85 °C, V<sub>DD1</sub> = 3.0 to 5.5 V, V<sub>DD2</sub> = 5.0 V ± 0.5 V, V<sub>SS1</sub> = V<sub>SS2</sub> = 0 V)**

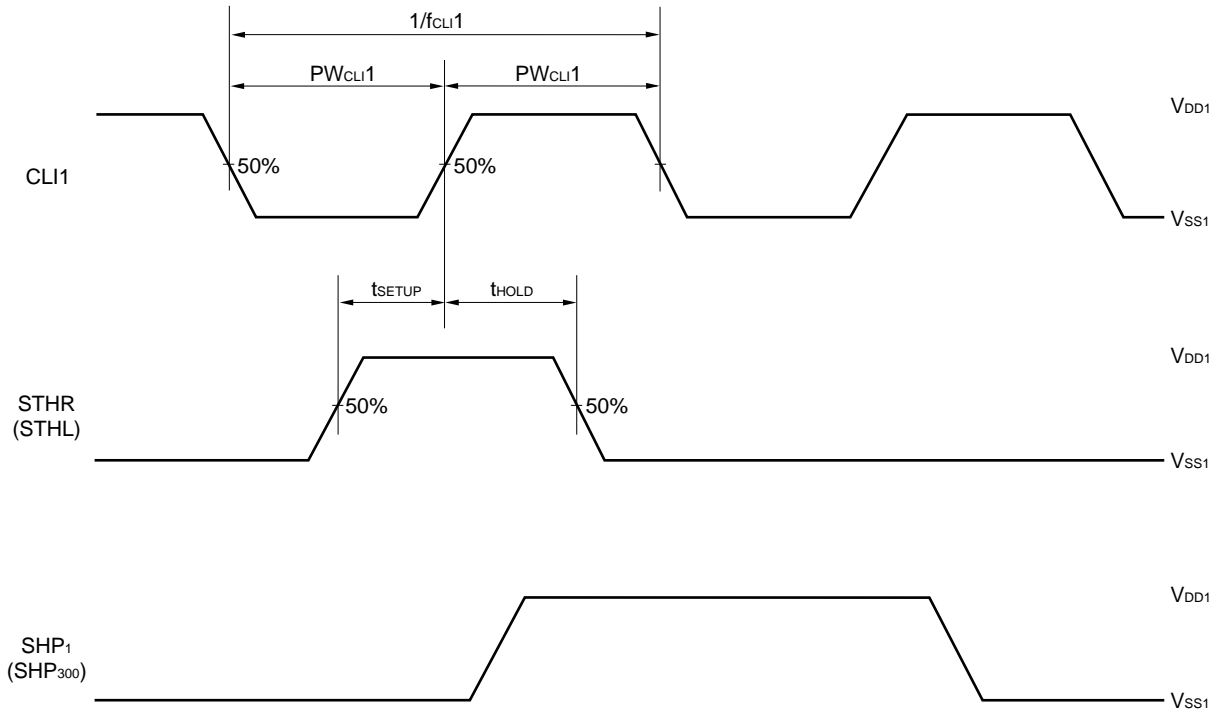
| Parameter              | Symbol             | Condition  | MIN. | TYP. | MAX. | Unit |
|------------------------|--------------------|------------|------|------|------|------|
| Clock pulse width      | PW <sub>CLI</sub>  | Duty = 50% | 33   |      |      | ns   |
| Start pulse setup time | t <sub>SETUP</sub> |            | 8    |      |      | ns   |
| Start pulse hold time  | t <sub>HOLD</sub>  |            | 8    |      |      | ns   |
| Reset pulse width      | PW <sub>RES</sub>  |            | 66   |      |      | ns   |
| INH setup time         | t <sub>SETUP</sub> |            | 33   |      |      | ns   |
| INH hold time          | t <sub>HOLD</sub>  |            | 33   |      |      | ns   |
| Reset-INH time         | t <sub>R-I</sub>   |            | 81   |      |      | ns   |
| INH pulse width        | PW <sub>INH</sub>  |            | 5    |      |      | CLK  |

**Remark** Keep the rise and fall times of the logic input signals to within t<sub>r</sub> = t<sub>f</sub> = 5 ns (10 to 90%).  
 As an example, the switching characteristic wave of CLI1 is defined on the next page.

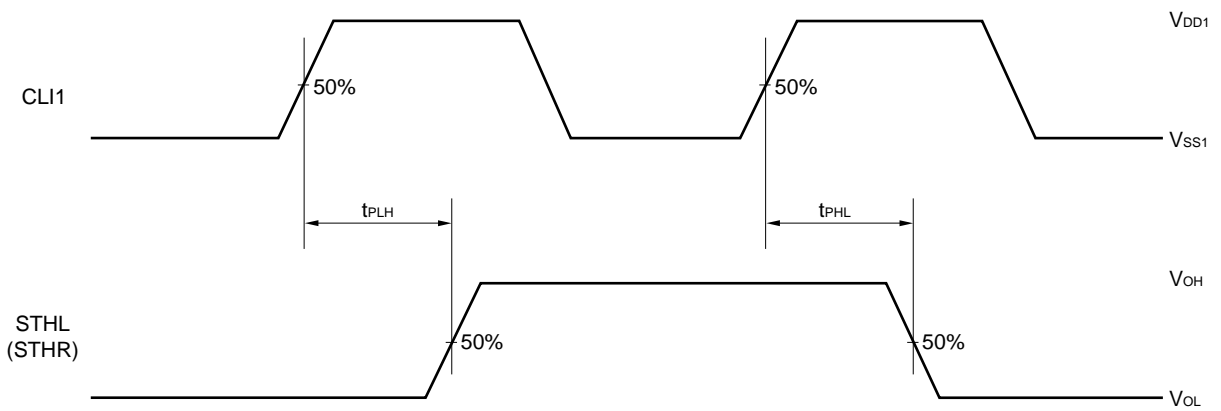


Switching Characteristic Waveform (Simultaneous/successive sampling)

Start Pulse Input Timing

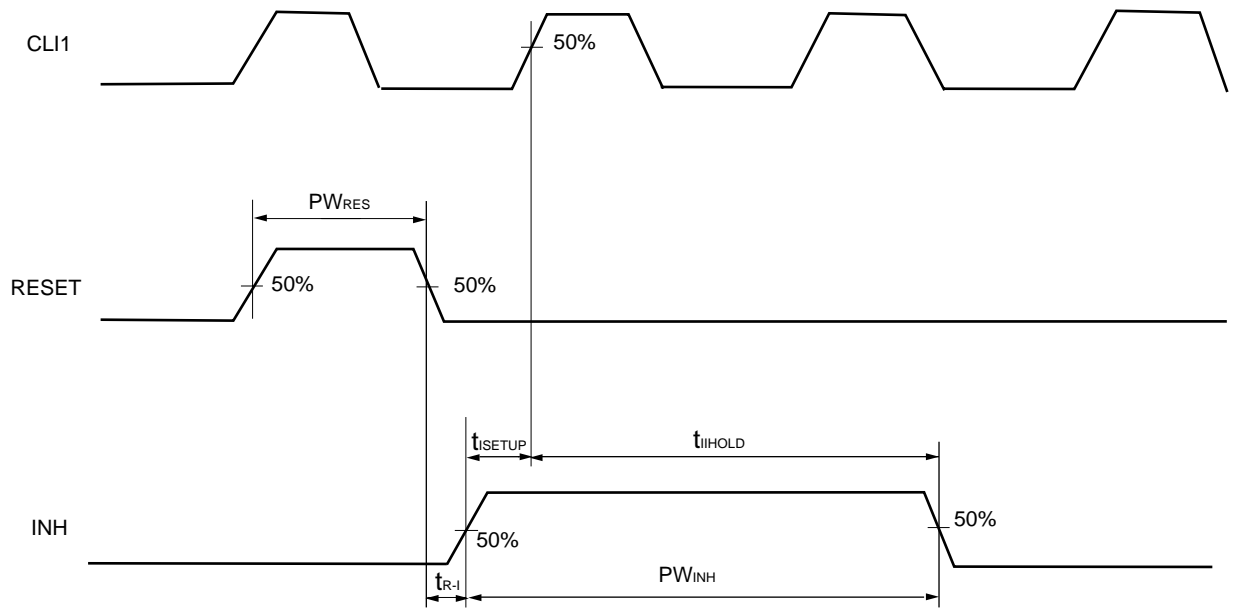


Start Pulse Output Timing



**Remark** The input/output timing of the start pulse is the same for simultaneous/successive sampling.

RESET INH Pulse Timing



**NOTES FOR CMOS DEVICES****① PRECAUTION AGAINST ESD FOR SEMICONDUCTORS**

Note:

Strong electric field, when exposed to a MOS device, can cause destruction of the gate oxide and ultimately degrade the device operation. Steps must be taken to stop generation of static electricity as much as possible, and quickly dissipate it once, when it has occurred. Environmental control must be adequate. When it is dry, humidifier should be used. It is recommended to avoid using insulators that easily build static electricity. Semiconductor devices must be stored and transported in an anti-static container, static shielding bag or conductive material. All test and measurement tools including work bench and floor should be grounded. The operator should be grounded using wrist strap. Semiconductor devices must not be touched with bare hands. Similar precautions need to be taken for PW boards with semiconductor devices on it.

**② HANDLING OF UNUSED INPUT PINS FOR CMOS**

Note:

No connection for CMOS device inputs can be cause of malfunction. If no connection is provided to the input pins, it is possible that an internal input level may be generated due to noise, etc., hence causing malfunction. CMOS devices behave differently than Bipolar or NMOS devices. Input levels of CMOS devices must be fixed high or low by using a pull-up or pull-down circuitry. Each unused pin should be connected to  $V_{DD}$  or GND with a resistor, if it is considered to have a possibility of being an output pin. All handling related to the unused pins must be judged device by device and related specifications governing the devices.

**③ STATUS BEFORE INITIALIZATION OF MOS DEVICES**

Note:

Power-on does not necessarily define initial status of MOS device. Production process of MOS does not define the initial operation status of the device. Immediately after the power source is turned ON, the devices with reset function have not yet been initialized. Hence, power-on does not guarantee out-pin levels, I/O settings or contents of registers. Device is not initialized until the reset signal is received. Reset operation must be executed immediately after power-on for devices having reset function.

**Reference Documents**

**NEC Semiconductor Device Reliability/Quality Control System (C10983E)**  
**Quality Grades On NEC Semiconductor Devices (C11531E)**

- **The information in this document is current as of December, 2002. The information is subject to change without notice. For actual design-in, refer to the latest publications of NEC Electronics data sheets or data books, etc., for the most up-to-date specifications of NEC Electronics products. Not all products and/or types are available in every country. Please check with NEC Electronics sales representative for availability and additional information.**
- No part of this document may be copied or reproduced in any form or by any means without prior written consent of NEC Electronics. NEC Electronics assumes no responsibility for any errors that may appear in this document.
- NEC Electronics does not assume any liability for infringement of patents, copyrights or other intellectual property rights of third parties by or arising from the use of NEC Electronics products listed in this document or any other liability arising from the use of such NEC Electronics products. No license, express, implied or otherwise, is granted under any patents, copyrights or other intellectual property rights of NEC Electronics or others.
- Descriptions of circuits, software and other related information in this document are provided for illustrative purposes in semiconductor product operation and application examples. The incorporation of these circuits, software and information in the design of customer's equipment shall be done under the full responsibility of customer. NEC Electronics assumes no responsibility for any losses incurred by customers or third parties arising from the use of these circuits, software and information.
- While NEC Electronics endeavors to enhance the quality, reliability and safety of NEC Electronics products, customers agree and acknowledge that the possibility of defects thereof cannot be eliminated entirely. To minimize risks of damage to property or injury (including death) to persons arising from defects in NEC Electronics products, customers must incorporate sufficient safety measures in their design, such as redundancy, fire-containment and anti-failure features.
- NEC Electronics products are classified into the following three quality grades: "Standard", "Special" and "Specific".

The "Specific" quality grade applies only to NEC Electronics products developed based on a customer-designated "quality assurance program" for a specific application. The recommended applications of NEC Electronics product depend on its quality grade, as indicated below. Customers must check the quality grade of each NEC Electronics product before using it in a particular application.

"Standard": Computers, office equipment, communications equipment, test and measurement equipment, audio and visual equipment, home electronic appliances, machine tools, personal electronic equipment and industrial robots.

"Special": Transportation equipment (automobiles, trains, ships, etc.), traffic control systems, anti-disaster systems, anti-crime systems, safety equipment and medical equipment (not specifically designed for life support).

"Specific": Aircraft, aerospace equipment, submersible repeaters, nuclear reactor control systems, life support systems and medical equipment for life support, etc.

The quality grade of NEC Electronics products is "Standard" unless otherwise expressly specified in NEC Electronics data sheets or data books, etc. If customers wish to use NEC Electronics products in applications not intended by NEC Electronics, they must contact NEC Electronics sales representative in advance to determine NEC Electronics's willingness to support a given application.

(Note)

- (1) "NEC Electronics" as used in this statement means NEC Electronics Corporation and also includes its majority-owned subsidiaries.
- (2) "NEC Electronics products" means any product developed or manufactured by or for NEC Electronics (as defined above).