



SMA Male to SMA Female Bulkhead Semi-Flexible Precision Cable 6 Inch Length Using PE-SR405FLJ Coax, RoHS

TECHNICAL DATA SHEET

PE39433-6

Pasternack's formable cable assemblies are hand formable semi-rigid replacements that are an alternative to costly preformed assemblies. The formable semi-rigid cable alternatives are dimensionally and electrically similar to their semi-rigid counterpart and have a tinned-copper-braid outer shield that provides excellent RF shielding. The hand formable cable assemblies from Pasternack do not require special tooling to shape or reshape the assemblies and can replace standard semi-rigid versions. The assemblies are available with or without a FEP jacket and are RoHS compliant,

Features

- Dimensionally and electrically the same as standard, solid outer conductor semi-rigid coax
- Cable may be formed by hand and does not require special tools to bend
- May be formed more than once without damaging the outer conductor
- High RF Shielding >100 dB
- 100% Hi-pot and continuity tested
- 100% VSWR tested to max frequency of assembly
- Standard and custom lengths ship the same day

Configuration

Connector 1	SMA Male
Connector 2	SMA Female Bulkhead
Cable Type	PE-SR405FLJ

Electrical Specifications

Frequency Range	DC to 18 GHz
Impedance	50 Ohms
Velocity of Propagation	69.5 %
Group Delay	1.43 ns/ft [4.69 ns/m]
RF Shielding	100 dB

Performance by Frequency

Frequency 1	
Frequency	1000 MHz
Insertion Loss	0.298 dB
Frequency 2	
Frequency	2 GHz
Insertion Loss	0.331 dB
Frequency 3	
Frequency	4.5 GHz
Insertion Loss	0.413 dB
Frequency 4	
Frequency	9 GHz
Insertion Loss	0.517 dB
Frequency 5	
Frequency	18 GHz

Click the following link (or enter part number in "SEARCH" on website) to obtain additional part information including price, inventory and certifications: [SMA Male to SMA Female Bulkhead Semi-Flexible Precision Cable 6 Inch Length Using PE-SR405FLJ Coax, RoHS PE39433-6](#)



SMA Male to SMA Female Bulkhead Semi-Flexible Precision Cable 6 Inch Length Using PE-SR405FLJ Coax, RoHS

TECHNICAL DATA SHEET PE39433-6

Insertion Loss 0.669 dB

Mechanical Specifications

Size

Length 6 in [152.4 mm]
 Diameter 0.433 in [11 mm]
 Cable Color Black
 One Time Minimum Bend Radius 0.236 in [5.99 mm]
 Repeated Minimum Bend Radius 0.787 in [19.99 mm]

Cable

Cable Type PE-SR405FLJ
 Inner Conductor Type Solid
 Cable Inner Conductor Copper Clad Steel, Silver
 No of Shields 1
 Dielectric Type PTFE
 Jacket Material FEP
 Jacket Diameter 0.098 in [2.49 mm]

Connector 1

Type SMA Male
 Configuration Straight
 Inner Conductor Material and Plating Brass, Gold
 Coupling Nut Material and Plating Passivated Stainless Steel
 Hex Size 5/16 in.
 Torque 8 in-lbs [0.9 Nm]
 Body Material and Plating Brass, Gold
 Dielectric Type PTFE

Connector 2

Type SMA Female Bulkhead
 Configuration Straight
 Mount Method Bulkhead
 Inner Conductor Material and Plating Beryllium Copper, Gold
 Body Material and Plating Brass, Gold
 Dielectric Type PTFE

Compliance Certifications (visit www.Pasternack.com for current document)

RoHS Compliant Yes
 REACH Compliant 06/18/2012

Plotted and Other Data

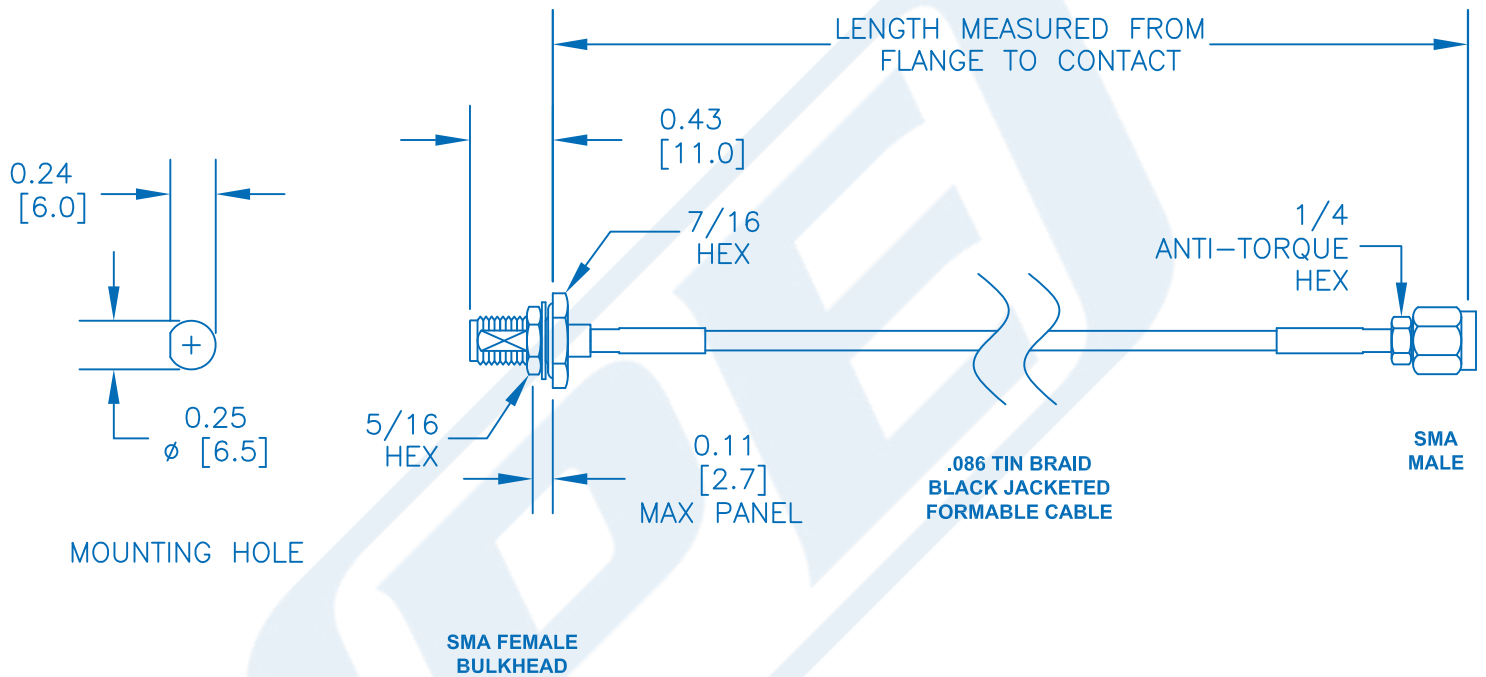
Notes:
 • Values at +25 °C, sea level

Click the following link (or enter part number in "SEARCH" on website) to obtain additional part information including price, inventory and certifications: [SMA Male to SMA Female Bulkhead Semi-Flexible Precision Cable 6 Inch Length Using PE-SR405FLJ Coax, RoHS PE39433-6](#)




PE39433-6 CAD Drawing

SMA Male to SMA Female Bulkhead Semi-Flexible Precision
Cable 6 Inch Length Using PE-SR405FLJ Coax, RoHS



Note: This part is lead free.

 PASTERNAK <small>THE ENGINEER'S RF SOURCE</small> Pasternack Enterprises, Inc. P.O. Box 16759 Irvine CA 92623 Phone: (949) 261-1920 Fax: (949) 261-7451 Website: www.pasternack.com E-Mail: sales@pasternack.com	NOTES: 1. UNLESS OTHERWISE SPECIFIED ALL DIMENSIONS ARE NOMINAL. 2. ALL SPECIFICATIONS ARE SUBJECT TO CHANGE WITHOUT NOTICE AT ANY TIME. 3. DIMENSIONS ARE IN INCHES [mm]. 4. LENGTH TOLERANCE IS ± 1.5% OR 3/8", WHICHEVER IS GREATER.			
	DWG TITLE	FSCM NO.		
PE39433	53919			
CAD FILE	012015	SCALE N/A	SIZE A	2233