

GOG96010

THREE PHASE AC-DC BRIDGE

Fuse protection
Temperature sensors
Snubber for SCR's protections
Extractible stacks for easy field service

LINE VOLTAGE UP TO 690V
DC OUTPUT CURRENT 1000A

GOG96010

| | | | | |
|----------------------|--|--|--|--------------|
| Line to line voltage | | | | 690 V |
|----------------------|--|--|--|--------------|

| Characteristic | | Conditions | | | Value |
|------------------------|--------------------|------------|--|--|--------|
| I _{DC} | DC output current | | | | 1000 A |
| V _{INS} (rms) | Insulation voltage | | | | 3000 V |
| | | | | | |

THYRISTOR TRIGGERING CHARACTERISTICS

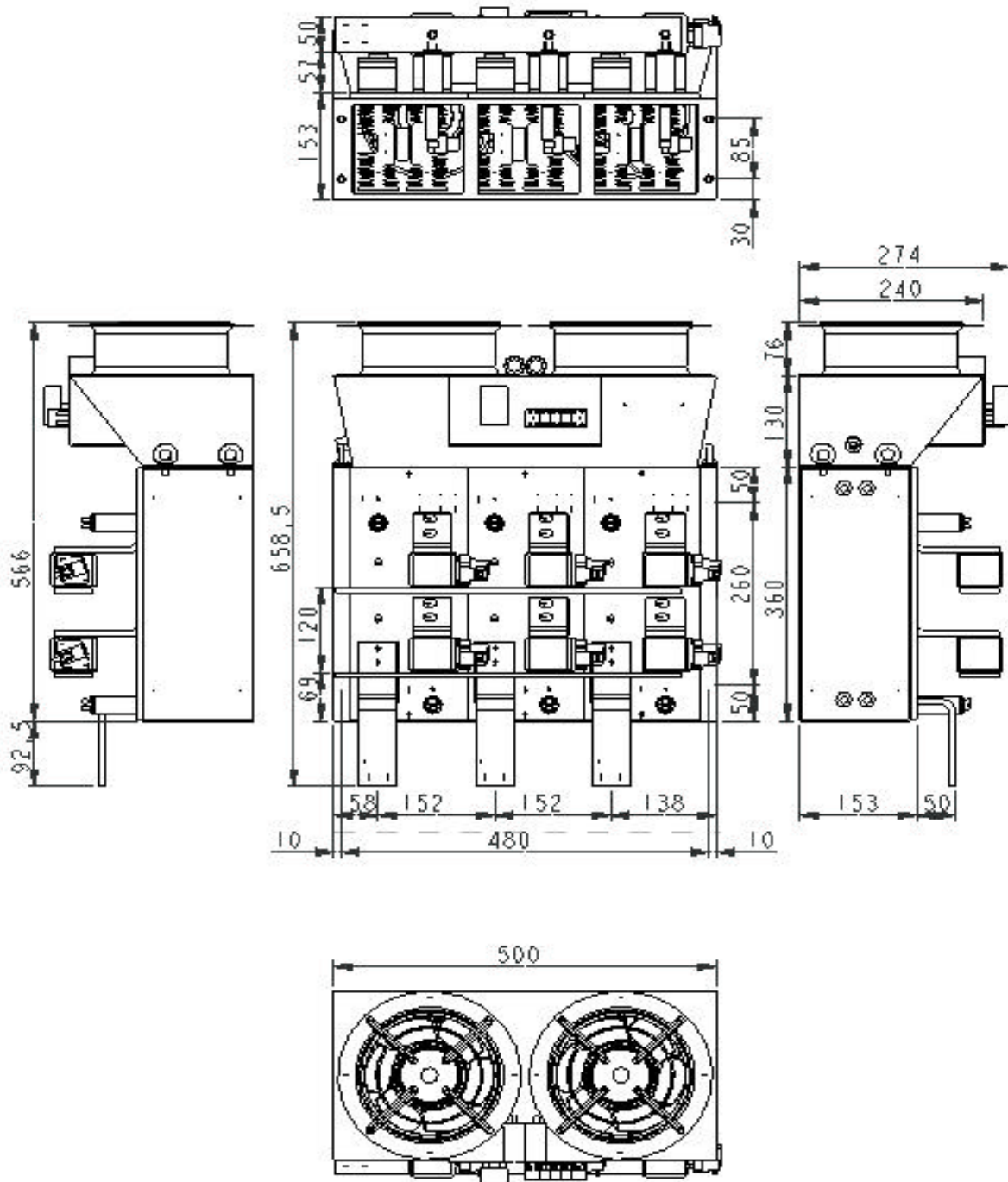
| | | | | | |
|------------------|---|--|--|--|-----------|
| V _{GT} | Gate trigger voltage | T _j = 25 °C, V _D = 5 V | | | 2.5 V |
| I _{GT} | Gate trigger current | T _j = 25 °C, V _D = 5 V | | | 250 mA |
| dV/dt | Critical rate of rise off-state voltage | T _j = 125 °C | | | 1000 V/us |
| V _{RRM} | Blocking Voltage | T _j = 125 °C | | | 2200 V |

FUSE TYPE SIBA 2067132.700

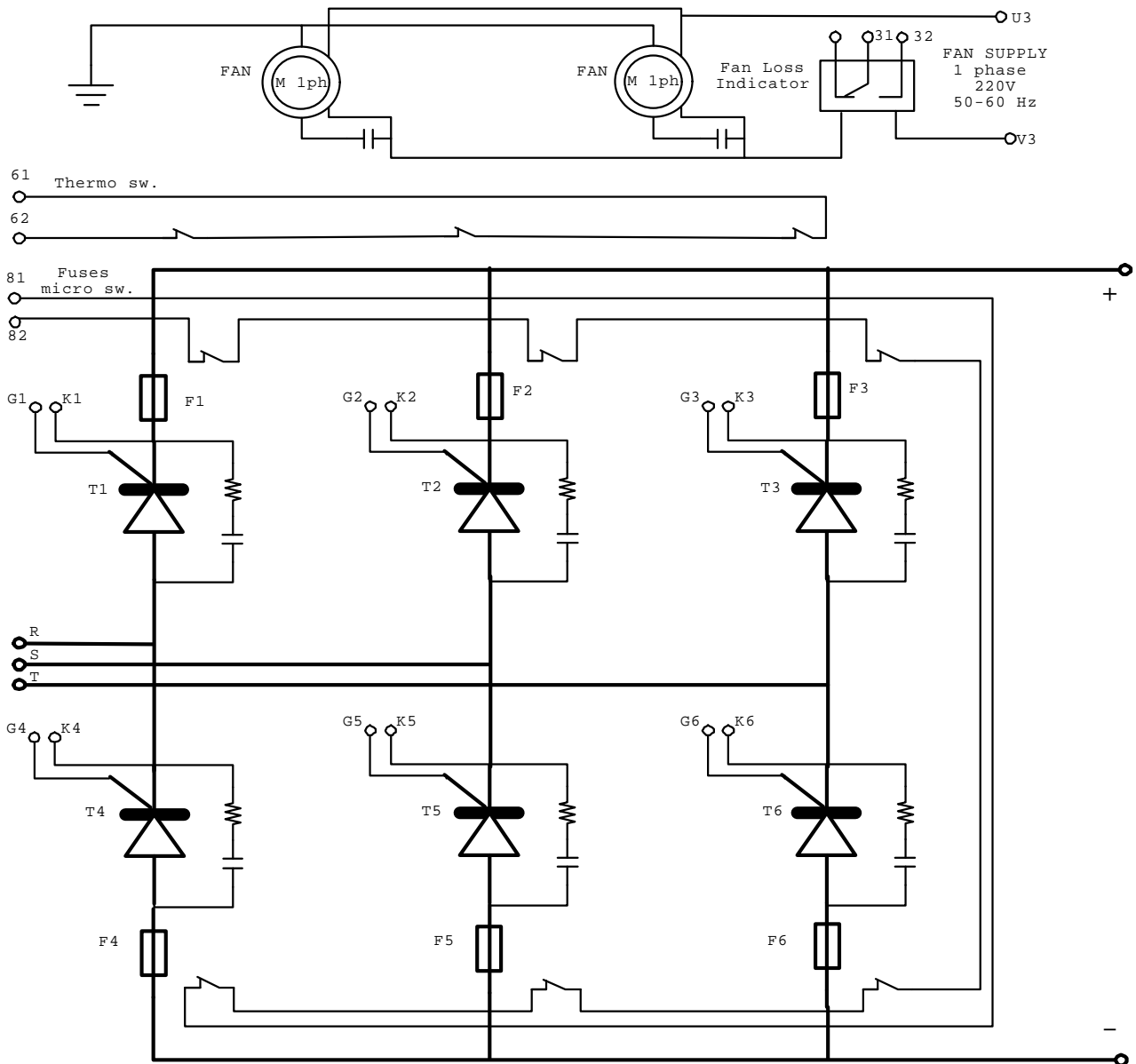
| | | | | | |
|------------------|------------------------|------------------|--|--|-----------------------|
| V _{NF} | Rated voltage | | | | 690 V |
| I _{NF} | Rated current | | | | 700 A |
| P _{VF} | Power loss | At rated current | | | 99 W |
| I ² t | Total I ² t | | | | 410 kA ² s |
| | | | | | |

MECHANICAL AND THERMAL CHARACTERISTICS

| | | | | | |
|--------------------|---------------------|--|--|--|-----------|
| | Width | | | | 500 mm |
| | Depth | | | | 275 mm |
| | Height | | | | 655 mm |
| | Mass | | | | 65 kg |
| T _{a max} | Max amb. op. Temp. | | | | 40 °C |
| T _{stg} | Storage temperature | | | | -40/60 °C |
| | | | | | |



In the interest of product improvement Green Power Semiconductors reserves the right to change any specification given in this data sheet without notice.



In the interest of product improvement Green Power Semiconductors reserves the right to change any specification given in this data sheet without notice.