

## 4 Channel 2:1 Switch BL3257

### Description

BL3257 is a quad single pole/double throw high-speed CMOS TTL-compatible bus switch. The low on resistance of the switch allows inputs to be connected to outputs without adding propagation delay or generating additional ground bounce noise. Also this device has exceptionally high current capability, which is far greater than most analog switches offered today. A single 5V supply is all that is required for operation.

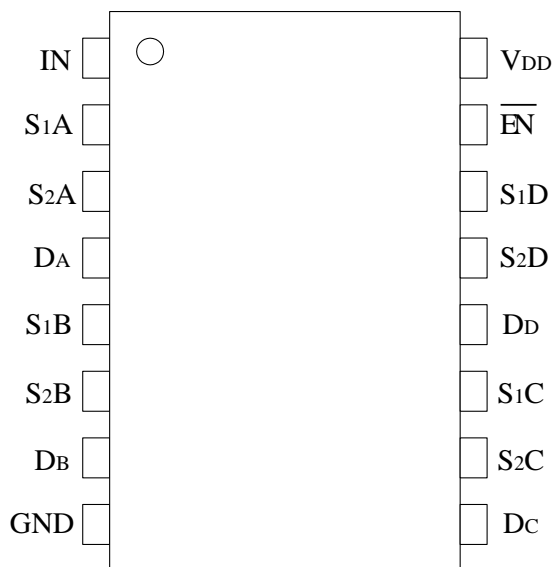
### Applications

- Set Top Boxes
- Flat Panel Displays
- CRT Displays
- DVD-RW

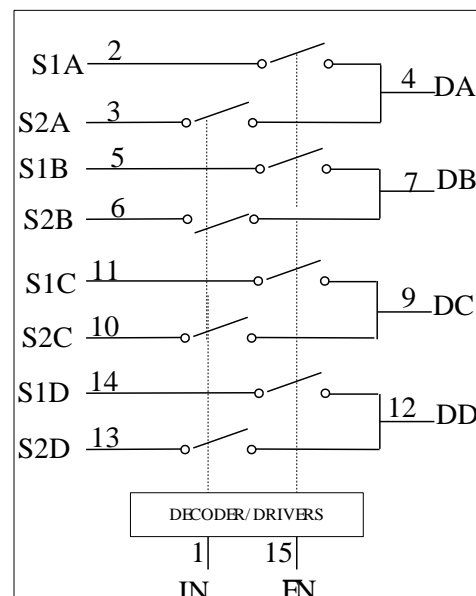
### Features

- 1、VCC: 4.0V-5.5V
- 2、Low On-Resistance: 5Ω
- 3、Fast switching: 10.0ns (VDD=5V)
- 4、Low crosstalk: -70dB (VDD = 5V)
- 6、Packaging(Pb-free & Green Available):  
SOP-16 、SSOP-16
- 6、ESD: >4000V HBM

### Pin Configuration



### Block Diagram



## Order Information

Part Number	Package	shipping
BL3257SO	SOP16	Tube
BL3257SS	SSOP16	5000 pcs / Tape & Reel

## Pin Description

Pin Name	Description
$V_{DD}$	Power
GND	Ground
$D_A, D_B, D_C, D_D$	Analog Video I/O
$S_{1A}, S_{1B}, S_{1C}, S_{1D}$	Analog Video 1 I/O
$S_{2A}, S_{2B}, S_{2C}, S_{2D}$	Analog Video 2 I/O
IN	Select Input
ENN	Enable

## Function Table

ENN	S	ON SWITCH
0	1	$S_2 (S_{2A}, S_{2B}, S_{2C}, S_{2D})$
0	0	$S_1 (S_{1A}, S_{1B}, S_{1C}, S_{1D})$
1	X	Disabled

## ELECTRICAL CHARACTERISTICS

### 1 ABSOLUTE MAXIMUM RATINGS

Symbol	Parameter		Units
$V_{DD}$	Supply Voltage	-0.5 to +6.0	V
$V_{IS}$	Analog Input Voltage ( $V_{S1}$ , $V_{S2}$ , or $V_D$ )	-0.5 to +6.0	V
$V_S$ $V_{ENN}$	Digital Select Input Voltage	-0.5 to +6.0	V
$I_{anll}$	Continuous DC Current from D to S1/S2	$\pm 200$	mA

Maximum ratings are those values beyond which device damage can occur. If these limits are exceeded, device functional operation is not implied, damage may occur and reliability may be affected.

### 2 RECOMMENDED OPERATING CONDITIONS

Symbol	Parameter	MIN	MAX	Units
$V_{DD}$	Supply Voltage	4.0	5.5	V
$V_{IS}$	Analog Input Voltage ( $V_{S1}$ , $V_{S2}$ , or $V_D$ )	0	2	V
$V_S$ $V_{ENN}$	Digital Select Input Voltage	0	$V_{DD}$	V
$T_A$	Operating Temperature	-40	85	$^{\circ}\text{C}$

### 3 ELECTRICAL CHARACTERISTICS

Parameter	Symbol	Test Conditions	Min	Typ	Max	Units
<b>DC ELECTRICAL CHARACTERISTICS</b>						
Switch On Resistance	$R_{ON}$	$V_{DD} = 4.5\text{V}$ , $V_{IS} = 1.0\text{V}$ , $R_L = 75\Omega$ , $I_{IS} = 13\text{mA}$		5	7	$\Omega$
		$V_{DD} = 4.5\text{V}$ , $V_{IS} = 2.0\text{V}$ , $R_L = 75\Omega$ , $I_{IS} = 26\text{mA}$		7.5	10	$\Omega$
HIGH Level Input Voltage	$V_{IH}$	Guaranteed Logic HIGH Level	2.0			V
LOW Level Input Voltage	$V_{IL}$	Guaranteed Logic LOW Level	-0.5		0.8	V
Input high current	$I_{IH}$	$V_{DD} = 5.5\text{V}$ , $V_{IN} = V_{DD}$			$\pm 1$	$\mu\text{A}$
Input low current	$I_{IL}$	$V_{DD} = 5.5\text{V}$ , $V_{IN} = \text{GND}$			$\pm 1$	$\mu\text{A}$
Switch output leakage current	$I_o$	$0 \leq S1, S2, \text{ or } D \leq V_{DD}$ , Switch OFF			$\pm 1$	$\mu\text{A}$
Switch short circuit current	$I_{os}$			230		mA
Clamping diode voltage	$V_{IK}$	$V_{DD} = 4.5\text{V}$ , $I_{IN} = -18\text{mA}$		-0.9		V
Input hysteresis	$V_H$			200		mV

<b>AC ELECTRICAL CHARACTERISTICS</b>						
Turn on time	$T_{ON}$	$R_L = 70\Omega, C_L = 20pF$		8	15	ns
Turn off time	$T_{OFF}$	$R_L = 70\Omega, C_L = 20pF$		4	8	ns
Cross talk	$X_{TALK}$	$R_{IN} = 10\Omega, R_L = 150\Omega, f = 10MHz$		-70		dB
Enable input capacitance	$C_{IN}$	$V_{IN} = 0V, f = 1MHz$		5		pF
Off state input capacitance	$C_{OFF}$	$V_{IN} = 0V, f = 1MHz$		10		pF
On state input capacitance	$C_{ON}$	$V_{IN} = 0V, f = 1MHz$		15		pF
<b>POWER SUPPLY CHARACTERISTICS</b>						
Quiescent supply current	$I_{DD}$	$V_{DD} = +5.5V, IN = GND \text{ or } 5V$		0.1	10.0	$\mu A$
Supply current change when changing input	$\Delta I_{DD}$	$V_{DD} = +5.5V, IN = 3.4V$			300	$\mu A$
Supply current when toggle input	$I_{DDD}$	$V_{DD} = +5.5V, S1, S2 \text{ and } D \text{ Pins Open}$ $ENN = GND$ Control Input Toggling 50% Duty Cycle			0.1	mA/ MHz

TEST SETUP CIRCUITS

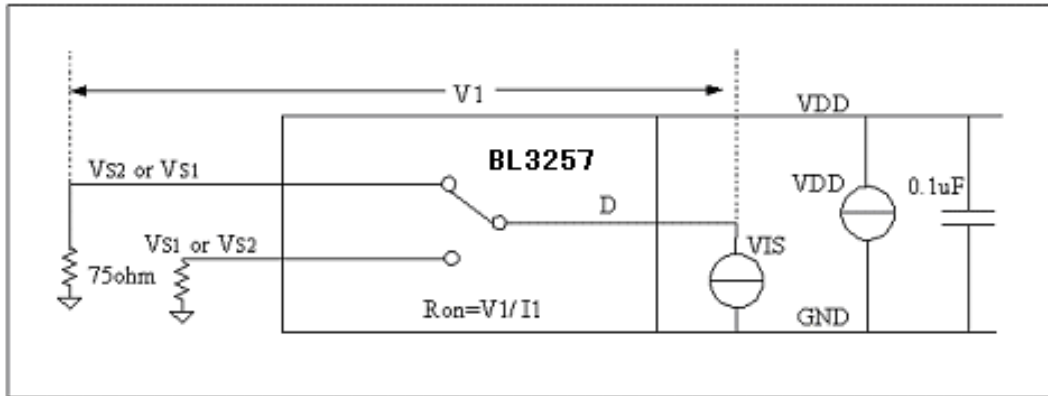


Figure1. Test Circuit for On Resistance

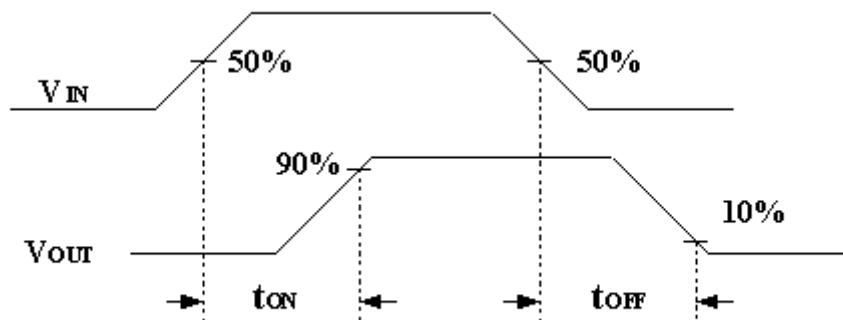
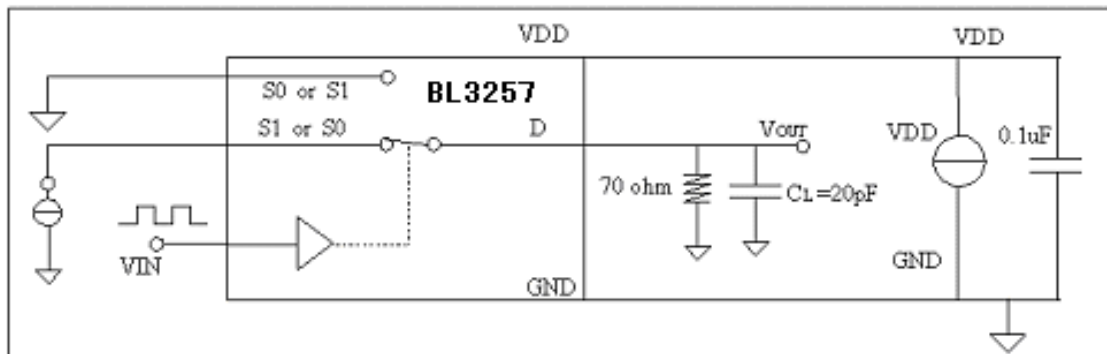
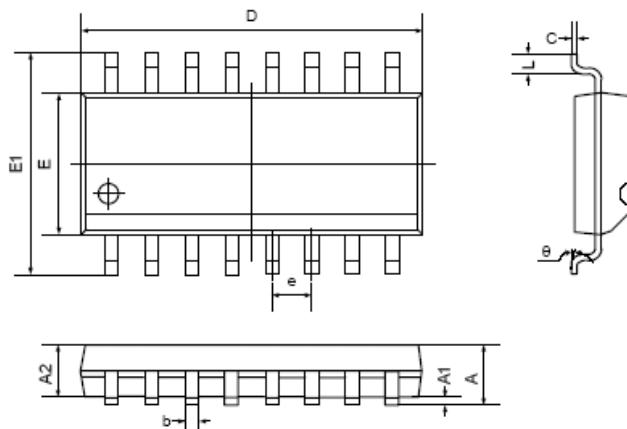


Figure2. Test Circuit for Bandwidth

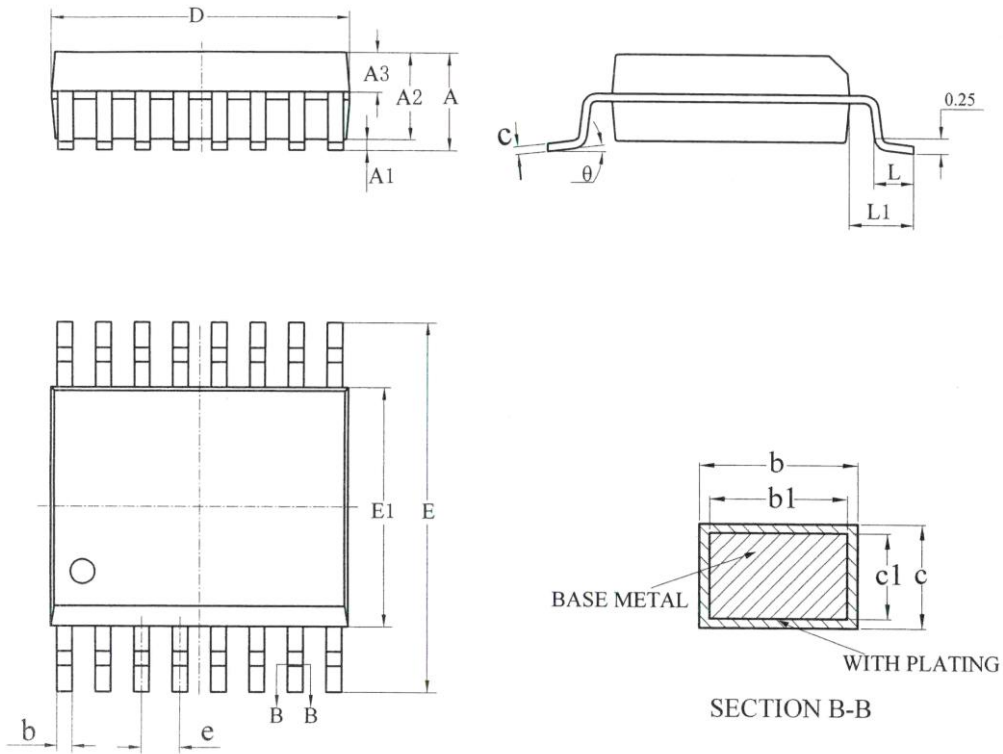
## PACKAGE OUTLINE DIMENSIONS

SOP16



Symbol	Dimensions In Millimeters		Dimensions In Inches	
	Min	Max	Min	Max
A	1.350	1.750	0.053	0.069
A1	0.100	0.250	0.004	0.010
A2	1.350	1.550	0.053	0.061
b	0.330	0.510	0.013	0.020
c	0.170	0.250	0.007	0.010
D	9.800	10.20	0.386	0.402
E	3.800	4.000	0.150	0.157
E1	5.800	6.200	0.228	0.244
e	1.270 (BSC)		0.050 (BSC)	
L	0.400	1.270	0.016	0.050
θ	0°	8°	0°	8°

SSOP16



SYMBOL	MILLIMETER		
	MIN	NOM	MAX
A	—	—	1.75
A1	0.10	0.18	0.25
A2	1.35	1.40	1.45
A3	0.50	0.60	0.70
b	0.24	—	0.30
b1	0.23	0.254	0.28
c	0.20	—	0.25
c1	0.19	0.20	0.21
D	4.80	4.90	5.00
E	5.80	6.00	6.20
E1	3.80	—	4.00
e	0.635BSC		
L	0.50	0.65	0.80
L1	1.05BSC		
θ	0	—	8°
L/F载体尺寸 (mil)	93*92 100*160		