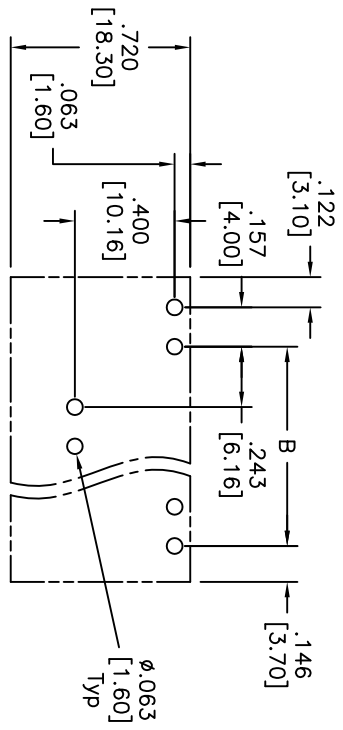
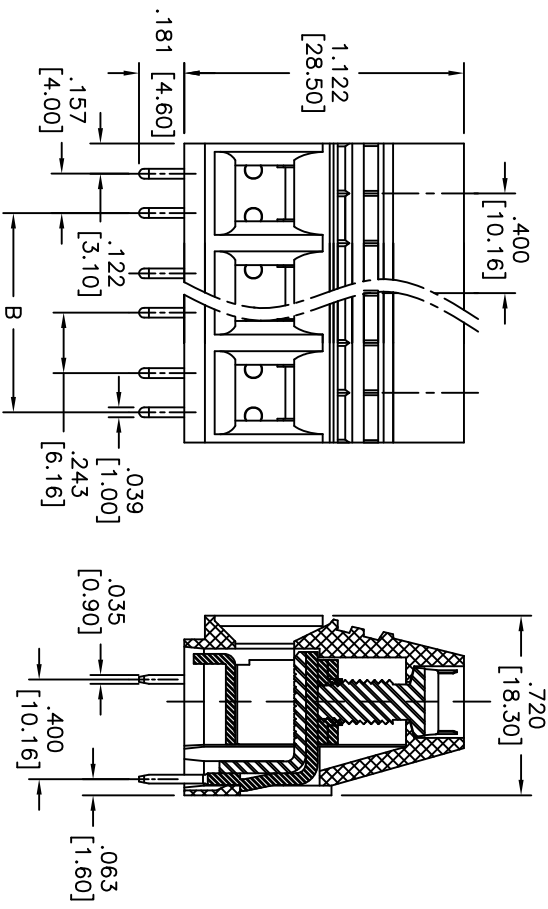
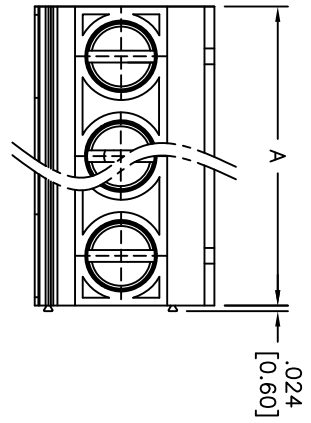


Rev	AWO #	Description	Date	Appr
-		RELEASED	2/8/11	

APPROVED: _____
 DATE: _____ TITLE: _____



RECOMMENDED PCB LAYOUT

SPECIFICATIONS:

- Material: Insulator: Thermoplastic, rated UL 94V-0
- Insulator color: Grey
- Clamp: Stainless steel, Zinc plated
- Wire guard solder pin: Copper, Tin plated
- Screw: Steel Zinc plating
- Electrical:
 - Operation voltage: 300 VAC max
 - Current rating: 65 Amps max per Pole
 - Dielectric withstanding voltage: 1600 VAC for 1 minute
- Mechanical:
 - Screw Torque(Lb-In): 19
- Environmental:
 - Operating temperature: -40°C to +115°C
 - Lead free, ROHS compliant.
 - Recommended soldering temp: 235°C for 5 sec.

Poles: 2 thru 12
 A = .400 [10.16] X No. of Poles
 B = .400 [10.16] X No. of Spaces

UNLESS OTHERWISE SPECIFIED
 ALL DIMENSIONS ARE MM [INCHES]
 TOLERANCES: EXCEPT AS NOTED

INCHES	HOLDS
.X ± .10	ØXX ± .10
.XX ± .020	ØXXX ± .015
.XXX ± .015	ØXXXX ± .010

ADAM TECH
 909 Rahway Avenue, Union, NJ 07083
 Phone: 908-687-5000 Fax: 908-687-5710

TITLE: **TERMINAL BLOCK, .400" [10.16] PITCH, PCB, GREY**

APPROVALS	DATE	SIZE	PART NO.	SCALE	SHEET 1 OF 1
DRAWN AY	2/8/11	X	EBYD-XX-J-GY	NTS	1
CHECKED JL	2/8/11				
APPROVED					

