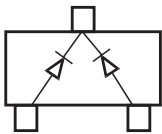


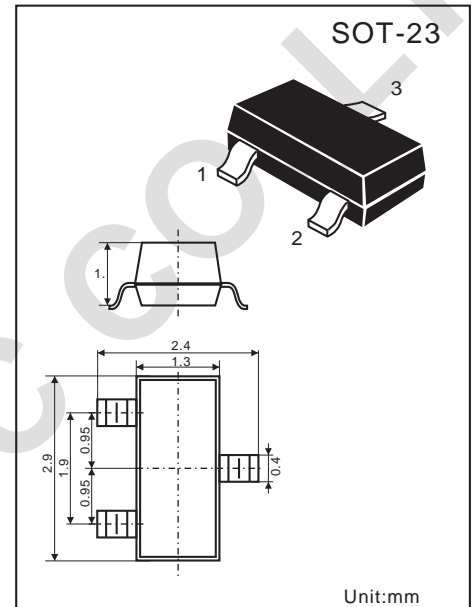
SOT-23 Plastic-Encapsulate DIODE

Features

- **Power dissipation**
 P_D : 150 mW ($T_{amb}=25^{\circ}C$)
- **Forward Current**
 I_F : 100 mA
- **Reverse Voltage**
 V_R : 80V
- **Operating and storage junction temperature range**
 T_j, T_{stg} : $-55^{\circ}C$ to $+150^{\circ}C$



Marking: B3



ELECTRICAL CHARACTERISTICS

(Ta=25°C unless otherwise specified)

| Parameter | Symbol | Test Condition | MIN. | MAX. | Unit |
|---------------------------------|------------|-----------------------------------|------|------|---------|
| Reverse breakdown voltage | $V_{(BR)}$ | $I_R=100\mu A$ | 80 | | V |
| Reverse Voltage leakage current | I_R | $V_R=80V$ | | 0.5 | μA |
| Forward Voltage | V_F | $I_F=100mA$ | | 1.2 | V |
| Diode Capacitance | C_{tot} | $V_R=0V$ $f=1MHz$ | | 3 | pF |
| Reverse Recovery Time | t_{rr} | $I_F=I_R=10mA$ $I_{rr}=0.1I_R$ | | 4 | nS |

Typical Characteristics

