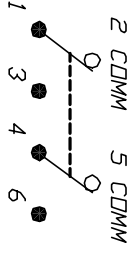


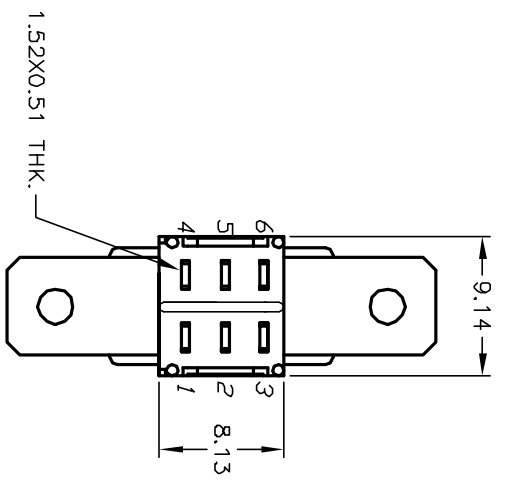
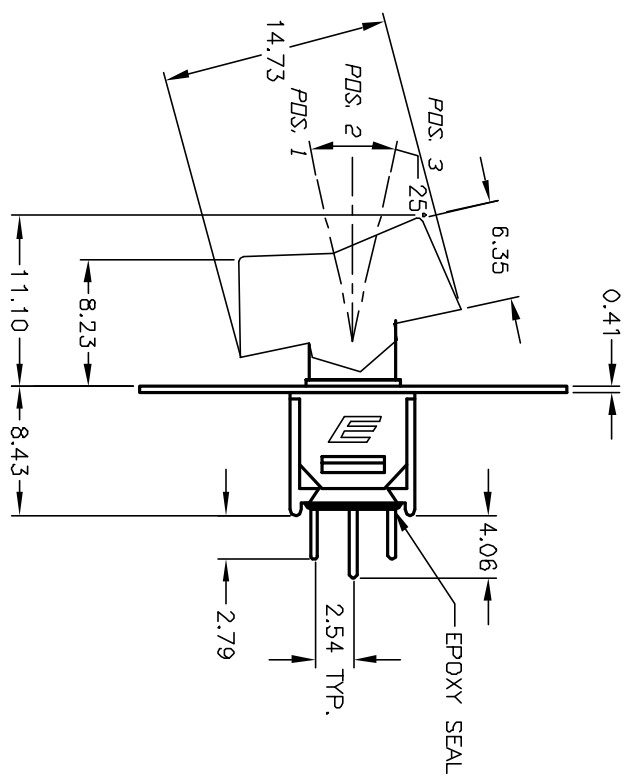
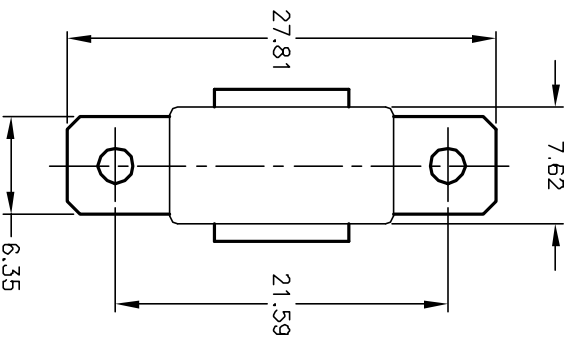
RECOMMEND PANEL MOUNTING



CIRCUIT: DPDT

CONTACT CONFIGURATION

SWITCH FUNCTION		
POS. 1	POS. 2	POS. 3
DN	OFF	DN
2-3,5-6	OPEN	2-1,5-4



- NOTES:
1. ALL DIMENSIONS IN MM
  2. GENERAL TOLERANCE: X.X=±0.4  
X.XX=±0.25
  3. TERM. NOS. FOR REFERENCE ONLY.
  4. RATING: 3 Amps @120 VAC or 28 VDC; 1 Amp @250 VAC.

REV. A		12972		RELEASED FOR PRODUCTION		3/28/03		AR	
REV. ECN No.		DESCRIPTION		DATE		CHKD		SCALE	
A		400MDP3R1WHTM1QF		E-SWITCH®		DATE		DR	
A		T427000		REV		DATE		DWG	
A		3/28/03		AR		T427000		A	

THE INFORMATION CONTAINED IN THIS DOCUMENT IS PROPRIETARY TO E-SWITCH AND IS NOT TO BE COPIED OR TRANSFERRED