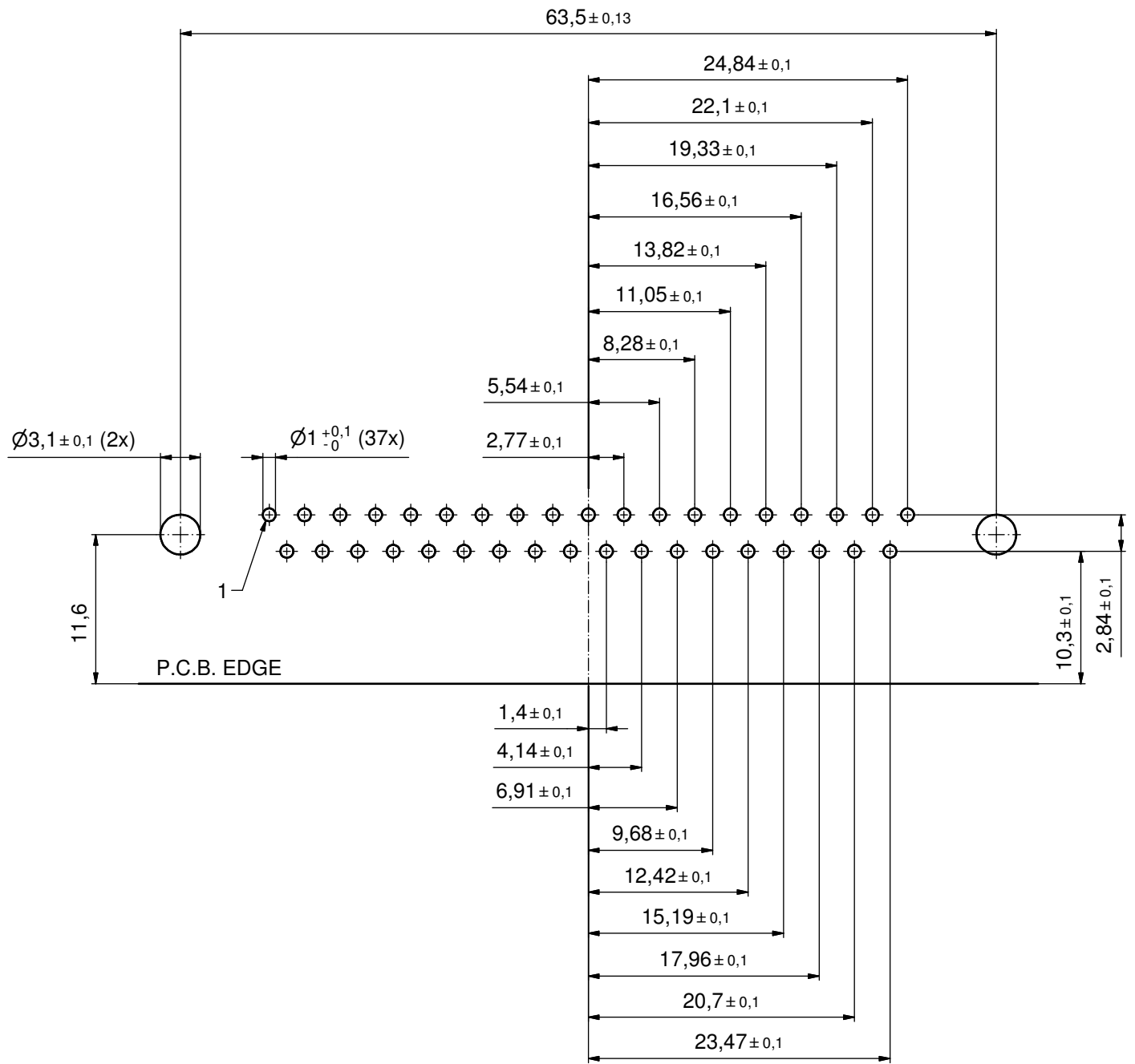


- NOTES:**
- METALSHELLS: STEEL; min. 315µm TIN over 40-80µm NICKEL
 - INSULATORS: PBT GF UL 94 V-0; BLACK
 - CONTACTS: COPPER ALLOY; PLATING (SEE PART NO.)
 - PLEASE ADD A for GOLD FLASH over NICKEL (PREFERRED TYPE)
 - PLEASE ADD B for 20µm HARD GOLD over min. 50µm NICKEL
 - PLEASE ADD C for 30µm HARD GOLD over min. 50µm NICKEL
 - METAL BRACKETS: ZINC DIE CAST;
 - 300µm COPPER / 40-120µm NICKEL / 120-200µm TIN
 - THREADED INSERTS: COPPER ALLOY; min. 200µm TIN over 80µm NICKEL
 - PCB SNAPS: COPPER ALLOY; min. 200µm TIN over 80µm NICKEL
 - PCB-HOLE: Ø3,1±0,1; PCB THICKNESS 1,6mm
 - FIXING-PLATE: PBT GF UL 94 V-0; BLACK
 - PCB HOLE DRILLINGS ON SHEET 2
 - MAXIMUM TORQUE VALUE FOR THREAD: 6 in.LB
 - CONNECTOR IS PART MARKED: 163□16429X CONEC ABC (see note 3)

Directive 2002/95/EC RoHS compliant

THIS DRAWING MAY NOT BE COPIED OR REPRODUCED IN ANY WAY, AND MAY NOT BE PASSED ON TO A THIRD PARTY WITHOUT WRITTEN PERMISSION. OWNERSHIP AND COPYRIGHT OF CONEC GmbH DO NOT ALTER CAD DRAWING BY HAND	tolerance		dim. in mm		scale: 2:1 (5:1)	
					material: SEE NOTES	
			date		title:	
			name		D-SUB MALE 90°	
			drawn 25.03.14 Henneboel		37pos. SOLDER PIN ANGLED 0,370inch	
			appd. 26.03.14 Schmidt		with threaded insert, metal bracket, fixing-plate and snap	
			norm		dwg no:	
			d-old		16K1A3420	
	a Original				DIN-A3	
	rev. description date name				sh: 1/2	
				part no: 163□16429X (see note 3)		

P.C.B. HOLE DRILLINGS
(P.C.B. TOP SIDE)



THIS DRAWING MAY NOT BE COPIED OR REPRODUCED IN ANY WAY, AND MAY NOT BE PASSED ON TO A THIRD PARTY WITHOUT WRITTEN PERMISSION. OWNERSHIP AND COPYRIGHT OF CONEC GmbH DO NOT ALTER CAD DRAWING BY HAND				tolerance		scale: 3:1
				dim. in mm		material: SEE SHEET 1
	drawn	25.03.14	Henneboel	title:		
	appd.	26.03.14	Schmidt	P.C.B. HOLE DRILLINGS		
	norm			D-SUB MALE 37pos. SOLDER PIN ANGLED		
	d-old			with threaded insert, metal bracket, fixing-plate and snap		
	rev.	a	Original	dwg no: 16K1A3420		
	description			DIN-A3		
	date			sh: 2/2		
	name			part no: SEE SHEET 1		

