

Description

The power distribution board was designed to accommodate the plug-in type smart power relay E-1048-8I. It is a printed circuit board module for rail mounting.

The current supplied by a power supply is distributed onto 1 x 8 or 2 x 4 ways/slots.

Customer benefits

- Time and cost savings through quick installation
- Time and cost savings through artless e-construction
- Time and cost savings through quick installation
- Time and cost savings through reduced stockkeeping (only 1 part)
- Space savings (50 %) through pcb technology
- Breakers can be swapped quickly and easily

Order numbering code

Type No.	
PBM-E1048	pcb module for rail mounting
	Distribution of slots
8A0	1 x 8 slots, one joint supply
8R0	2 x 4 slots, two separate supplies
	Signalling
B0	without
B2	group signalling
B3	single signalling
	Special version
	V0089
PBM-E1048-8A0-B2-V0089	ordering example

Preferred types

PBM-E1048-8A0-B2-V0089	1 x 8 slots, one joint supply, group signalling
PBM-E1048-8R0-B2-V0089	2 x 4 slots, two separate supplies, group signalling

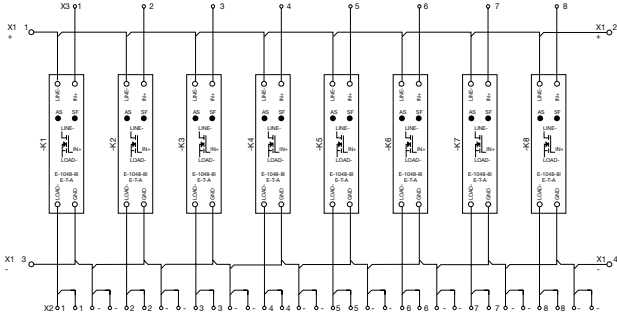


Technical data

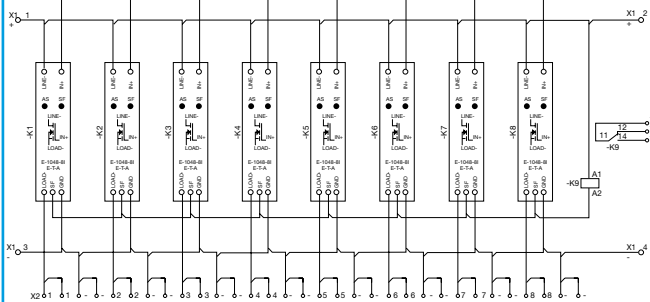
Dimensions without circuit breakers	145 x 130 x 74 bis 65 mm (l x w x h)
Voltage ratings	12 V DC / 24 V DC
Max. load current	16 A
Supply	non-redundant supply: 75 A redundant supply: 2 x 60 A supply of plus and minus via spring-loaded terminals up to 16 mm ² cable cross section (10 mm ² with wire end ferrule with plastic collar)
Terminals	4 load terminals per relay via spring-loaded terminals up to 2.5 mm ² cable cross section (1.5mm ² with wire end ferrule with plastic collar) 2 terminals for plus and 2 terminal for minus
Group signalling	For group or single signalling spring-loaded terminals up to 1.5 mm ² cable cross section (0.75 mm ² with wire end ferrule with plastic collar)
Temperature range	-40 °C to +85 °C
Derating	supply terminals with cable cross section 16mm ² up to 55 °C 75 A up to 80 °C 50 A up to 85 °C 40 A
	load output terminals with cable cross section 2.5mm ² up to 80 °C 15 A up to 85 °C 12 A
	signalling with cable cross section 1.5mm ² up to 85 °C 7.5 A

Non-redundant

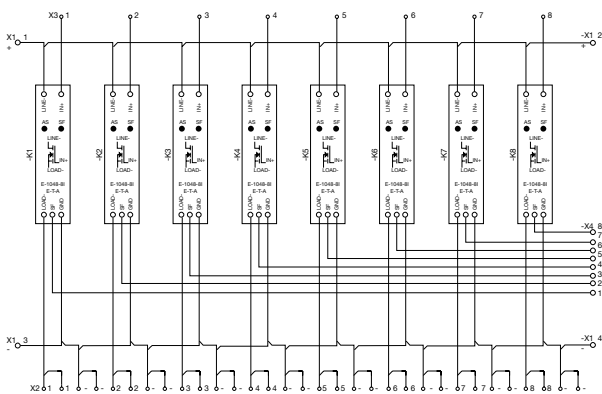
Schematic diagram without signalling
PBM-E1048-8A0-B0-V0089



Schematic diagram with signalling
PBM-E1048-8A0-B2-V0089

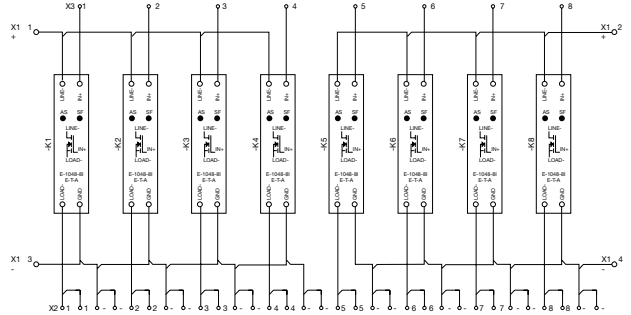


Schematic diagram with single signalling
PBM-E1048-8A0-B3-V0089

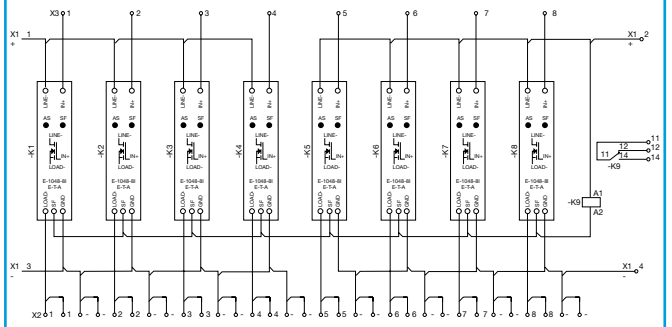


Redundant

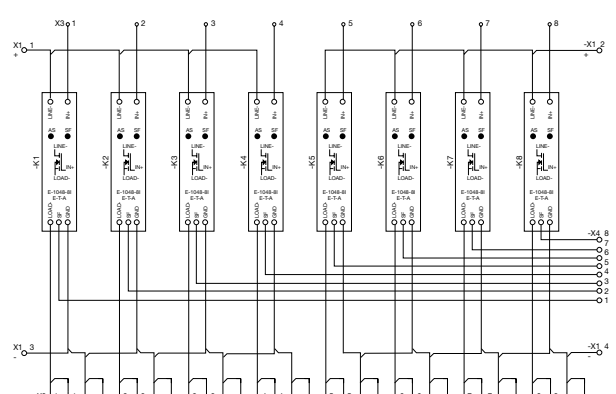
Schematic diagram without signalling
PBM-E1048-8R0-B0-V0089



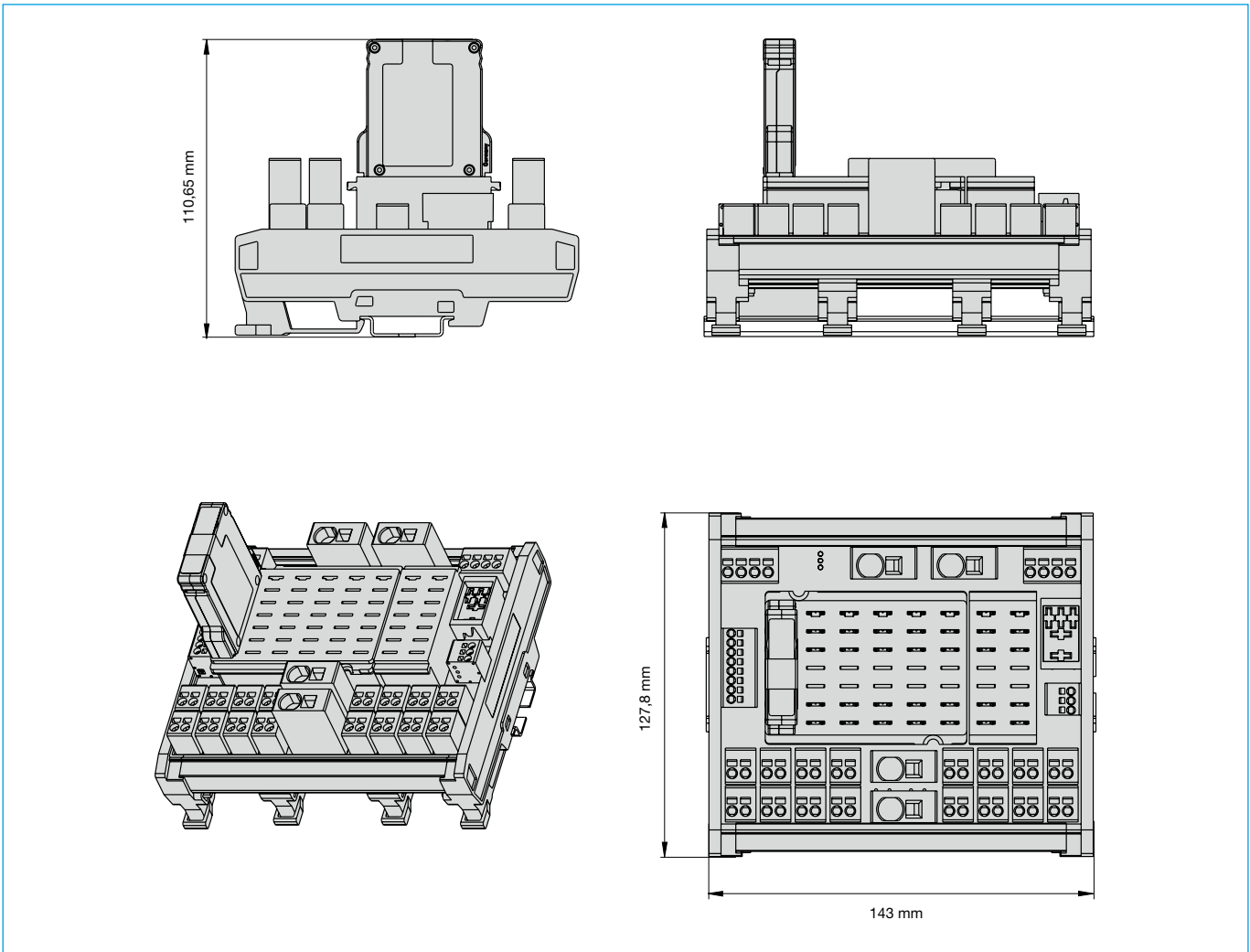
Schematic diagram with group signalling
PBM-E1048-8R0-B2-V0089



Schematic diagram single signalling
PBM-E1048-8R0-B3-V0089



Dimensions

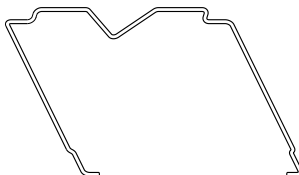


6

Accessories

Retaining clip for E1048
No. Y300 581 03

Retaining clip for microrelays
No. Y311 076 01



Relays for signalling function

Microrelay 12 V:
No. Y311 85 401

Microrelay 24 V:
No. Y311 85 411

Mandatory for mounting position Y. Without the retaining clips, the E-1048 could fall off in the event of increased shock and vibration values.
Recommended for mounting positions X and Z for increased shock and vibration values.