

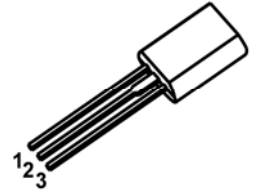


TO-92MOD Plastic-Encapsulate Transistors

2SB560 TRANSISTOR (PNP)

TO-92MOD

- 1. EMITTER
- 2. COLLECTOR
- 3. BASE



FEATURES

- High Reverse Voltage
- Low Saturation Voltage
- Suitable Universal AF Power Amplifier Use

MAXIMUM RATINGS (T_a=25°C unless otherwise noted)

Symbol	Parameter	Value	Unit
V _{CBO}	Collector-Base Voltage	-100	V
V _{CEO}	Collector-Emitter Voltage	-80	V
V _{EBO}	Emitter-Base Voltage	-5	V
I _C	Collector Current -Continuous	-0.7	A
P _C	Collector Power Dissipation	900	mW
T _J	Junction Temperature	150	°C
T _{stg}	Storage Temperature	-55-150	°C

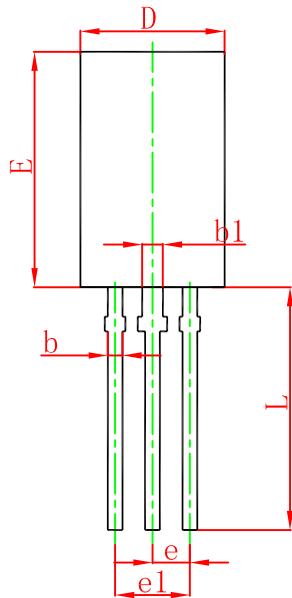
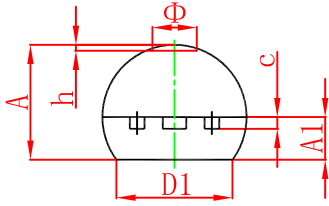
ELECTRICAL CHARACTERISTICS (T_a=25°C unless otherwise specified)

Parameter	Symbol	Test conditions	Min	Typ	Max	Unit
Collector-base breakdown voltage	V _{(BR)CBO}	I _C = -10 uA, I _E =0	-100			V
Collector-emitter breakdown voltage	V _{(BR)CEO}	I _C = -1 mA, I _B =0	-80			V
Emitter-base breakdown voltage	V _{(BR)EBO}	I _E = -10 uA, I _C =0	-5			V
Collector cut-off current	I _{CBO}	V _{CB} = -20 V, I _E =0			-1	μ A
Collector cut-off current	I _{EBO}	V _{EB} = -4V, I _B =0			-1	μ A
DC current gain	h _{FE(1)}	V _{CE} = -5V, I _C = -50mA	60		560	
	h _{FE(2)}	V _{CE} = -5V, I _C = -500mA	30			
Collector-emitter saturation voltage	V _{CE(sat)}	I _C =-500 mA, I _B = -50mA		-0.3	-0.8	V
Base-emitter saturation voltage	V _{BE(sat)}	I _C =-500 mA, I _B = -50mA		-0.85	-1.2	V
Transition frequency	f _T	V _{CE} =-10V, I _C =-50mA		100		MHz
Out capacitance	C _{ob}	V _{CB} = -10 V ,f=1MHz		15		pF

CLASSIFICATION OF h_{FE(1)}

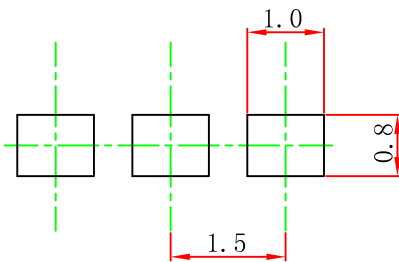
Rank	D	E	F	G
Range	60 - 120	100 - 200	160 - 320	280 - 560

TO-92MOD Package Outline Dimensions



Symbol	Dimensions In Millimeters		Dimensions In Inches	
	Min.	Max.	Min.	Max.
A	4.800	5.000	0.189	0.197
A1	1.730	2.030	0.068	0.080
b	0.440	0.600	0.017	0.024
b1	0.940	1.100	0.037	0.043
c	0.350	0.450	0.014	0.018
D	5.900	6.100	0.232	0.240
D1	4.000		0.157	
E	8.500	8.700	0.335	0.343
e	1.500 TYP.		0.059 TYP.	
e1	2.900	3.100	0.114	0.122
L	13.800	14.200	0.543	0.559
Φ		1.600		0.063
h	0.000	0.380	0.000	0.015

TO-92MOD Suggested Pad Layout



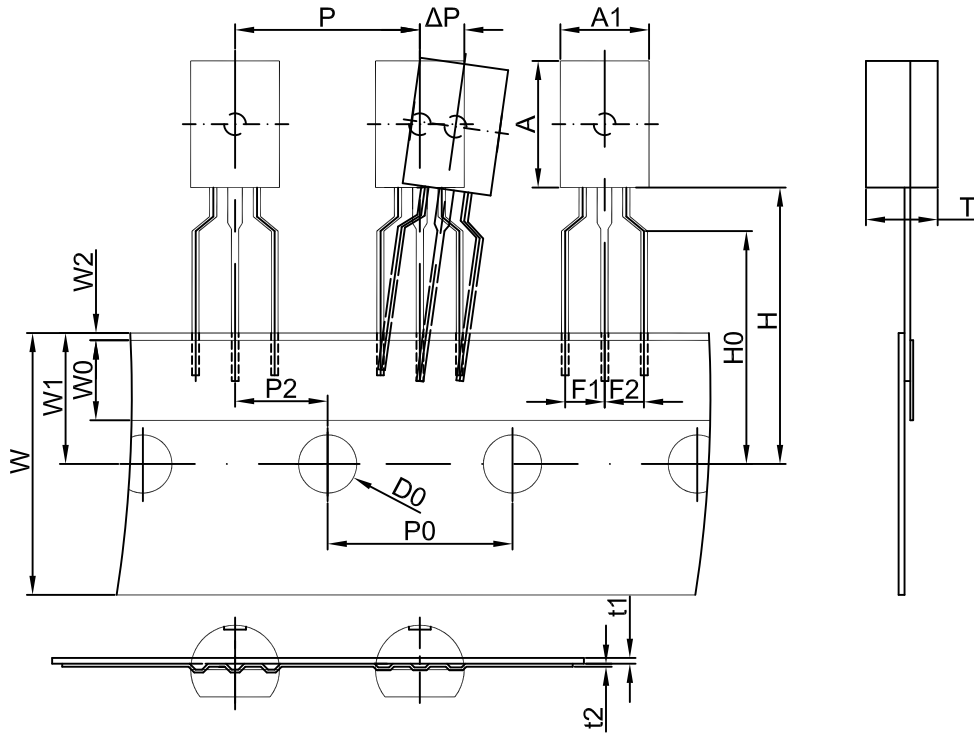
Note:

1. Controlling dimension: in millimeters.
2. General tolerance: ± 0.05 mm.
3. The pad layout is for reference purposes only.

NOTICE

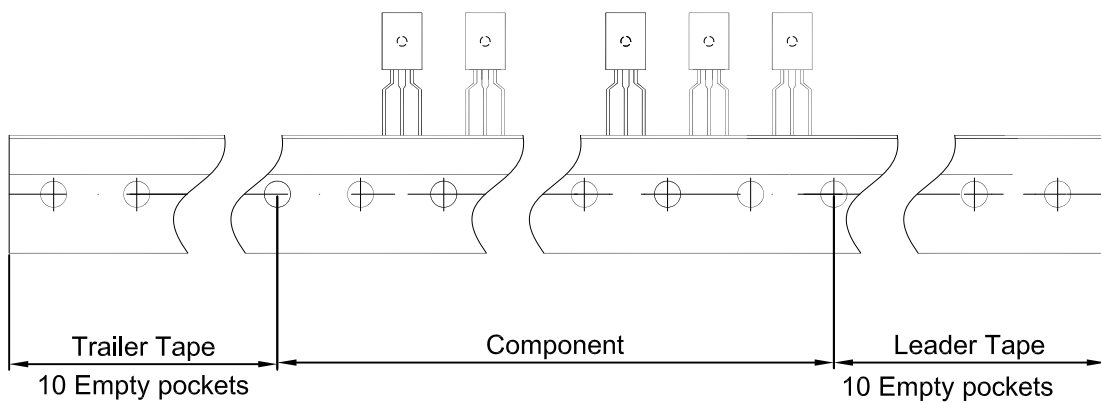
JCET reserve the right to make modifications, enhancements, improvements, corrections or other changes without further notice to any product herein. JCET does not assume any liability arising out of the application or use of any product described herein.

TO-92MOD PACKAGE TAPEING DIMENSION



Dimensions are in millimeter

A1	A	T	P	P0	P2	F1	F2	W
6.0	8.6	4.9	12.7	12.7	6.35	2.5	2.5	18.0
W0	W1	W2	H	H0	D0	t1	t2	ΔP
6.0	9.0	1.0	19.0	16.0	4.0	0.4	0.2	0



Package	Box	Box Size(mm)	Carton	Carton Size(mm)
TO-92MOD	2000 pcs	333×245×43	20,000 pcs	573×404×266