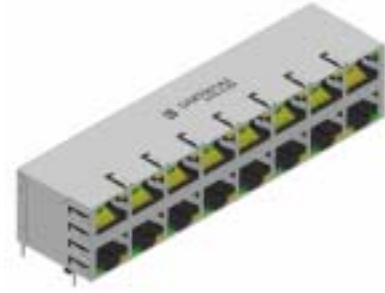


“LAN-MATE” SERIES Description:
10/100/1000 Base-T RJ45 2x8 Integrated Magnetics Connector
10/100/1000 BASE-T MAGNETICS

- Complies with requirement of IEEE 802.3ab standards.
- RJ-45 connector integrated with transformer/impedance resistor/high voltage capacitor.
- Size same as RJ-45 connector to save PCB board space.
- Reduced EMI radiation to improve EMI performance.
- Design for 1000 BASE transmission over UTP-5 cable.
- Compliance with ROHS requirements.
- Operating temperature range: 0 to +70 .
- Storage temperature range: -25 to +85 .



Electrical specifications @ 25

| Part Number | Turns Ratio (±2%) | | OCL (uH Min) @ 100 KHz/0.1V with 8mA DC Bias | DCMR (dB Min) | | | HI-POT (Vrms) pri : sec |
|-------------|-------------------|----------|--|---------------|-------|--------|----------------------------|
| | TX | RX | | 0.3-30MHz | 60MHz | 100MHz | |
| DA8T001A3 | 1CT: 1CT | 1CT: 1CT | 350 | -50 | -45 | -40 | 1500 |

Continue

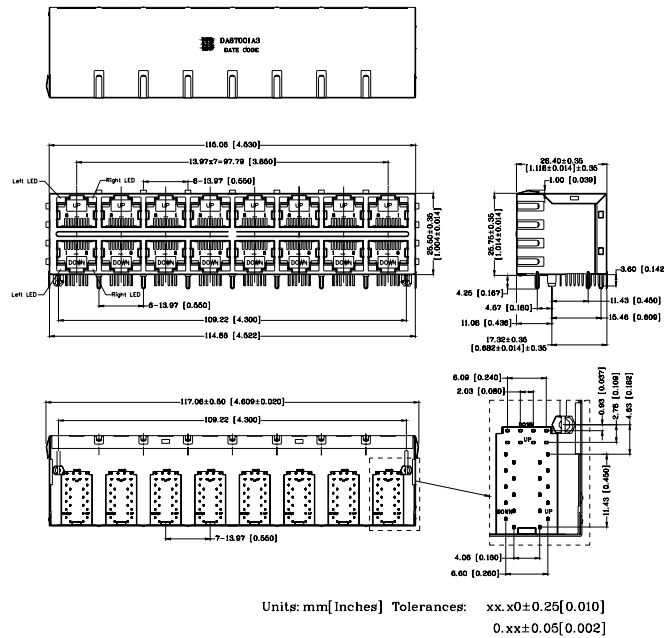
| Number | Return Loss (dB Min) | | | | | Cross talk (dB Min) | | | | Insertion Loss (dB Max) |
|-----------|----------------------|-------|--------|----------|--------|---------------------|-------|-------|--------|-------------------------|
| | 1-30MHz | 40MHz | 50MHz | 60-80MHz | 100MHz | 0.5-10MHz | 30MHz | 50MHz | 100MHz | |
| DA8T001A3 | -18 | -16 | -14.08 | -12.5 | -10 | -50 | -40 | -35 | -30 | -1.0 |

For customized parts or more detailed information, please log on www.bothhandi.com or write to sales@bothhandi.com

“LAN-MATE” SERIES Description:
10/100/1000 Base-T RJ45 2x8 Integrated Magnetics Connector
10/100/1000 BASE-T MAGNETICS

Mechanicals

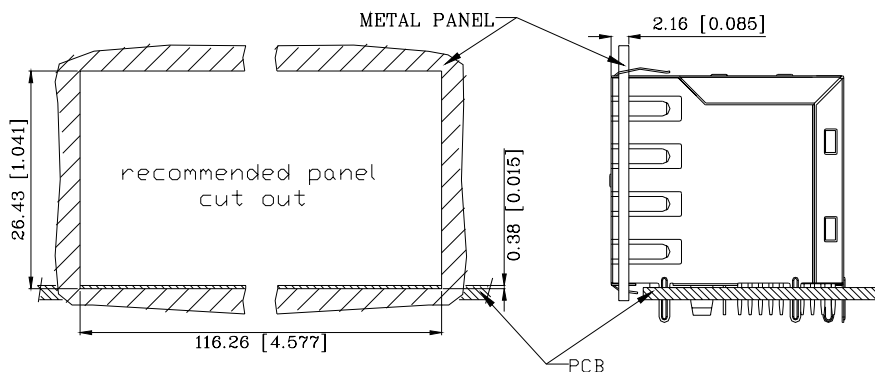
DA8TXXXX



- 1. Plastic Material : Thermoplastic (UL 94V-0), Black Housing
- 2. Metal Shield : Brass, 30u" inches thick Nickel
- 3. Spring Wire : Phosphor bronze
- 4. Solder Pin : 0.5x0.35mm, Phosphor bronze with solder Plated
- 5. Durability : 750 Mating cycles Min.

Suggested Panel Opening

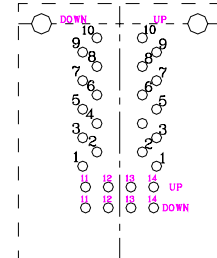
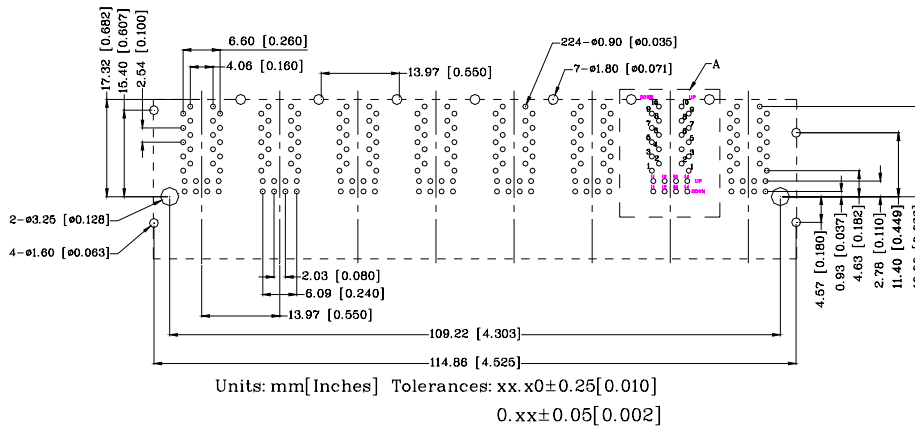
DA8TXXXX



“LAN-MATE” SERIES Description:
10/100/1000 Base-T RJ45 2x8 Integrated Magnetics Connector
10/100/1000 BASE-T MAGNETICS

PCB Layout Mounting Hole (Top View)

DA8XXXXX

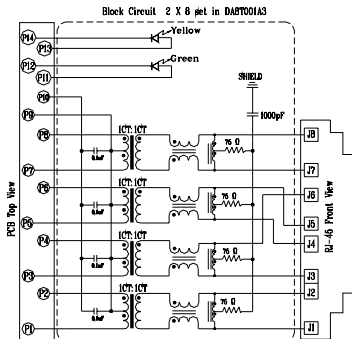


Detail A
 Scale 2:1

| Specification | Packing Manner | Q'ty per Tray | Q'ty/ Inner box | Q'ty/ Carton |
|---------------|----------------|---------------|-----------------|--------------|
| DA8TXXXX | Tray | 8 | 56 | 56 |

Schematics

DA8T001A3



Ordering Information

