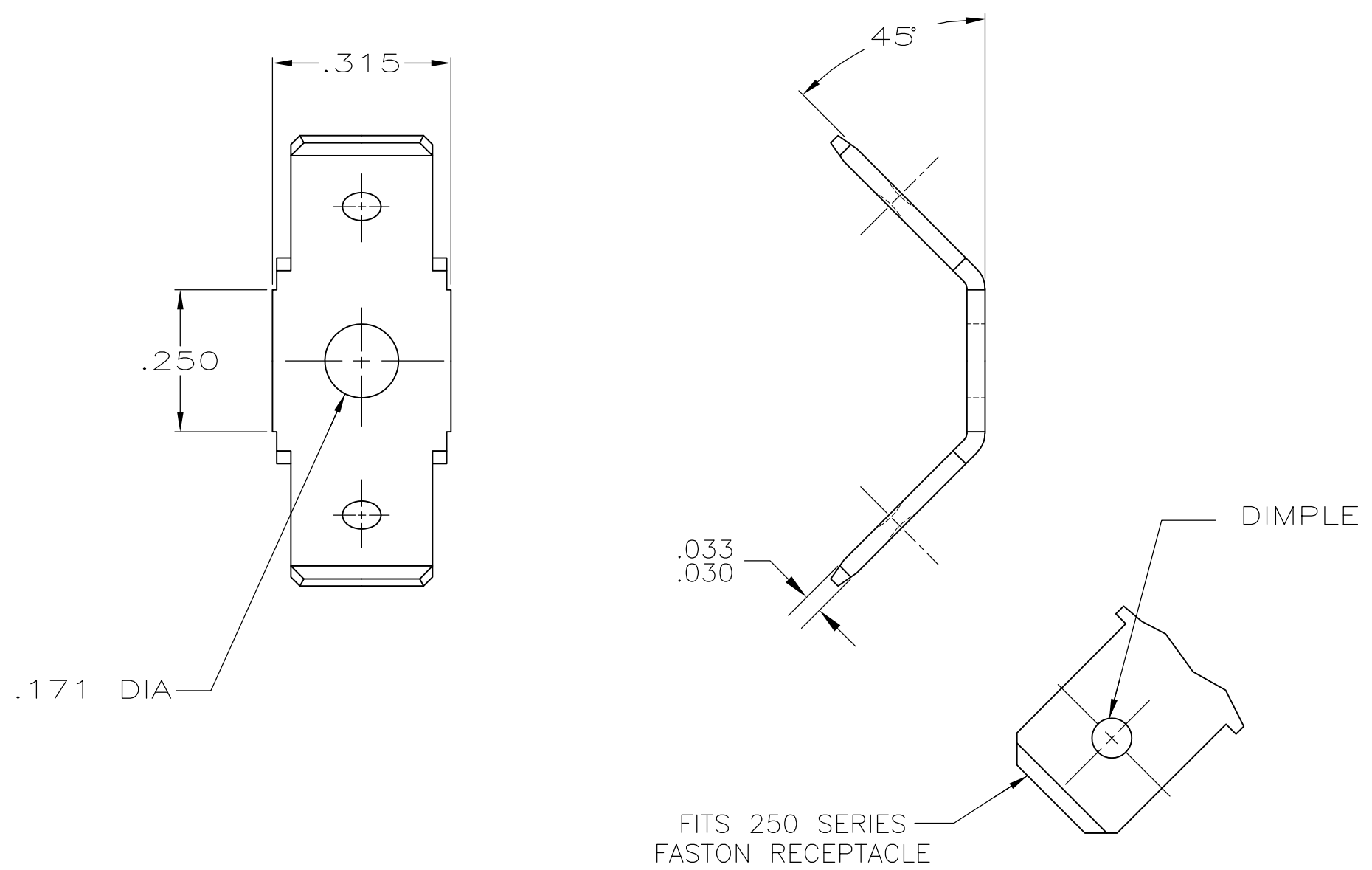



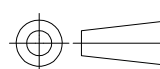
THIS DRAWING IS UNPUBLISHED. RELEASED FOR PUBLICATION  
 © COPYRIGHT - By - ALL RIGHTS RESERVED.

LOC	DIST	REVISIONS			
P	LTR	DESCRIPTION	DATE	DWN	APVD
AF	50	AB	REVISED PER ECR-13-011489	07DEC2013	KH PD

1 SUPPLIED IN LOOSE PIECE.



-	-
-	41616
FINISH	PART NUMBER

THIS DRAWING IS A CONTROLLED DOCUMENT.		DWN 26SEP2002 MICHAEL S. FEHER	 TE Connectivity	
DIMENSIONS: INCHES 		CHK 26SEP2002 NATHAN DEIBERT		
TOLERANCES UNLESS OTHERWISE SPECIFIED: 0 PLC ± - 1 PLC ± - 2 PLC ± - 3 PLC ± .010 4 PLC ± - ANGLES ± -		APVD 26SEP2002 NATHAN DEIBERT	NAME TAB, FASTON, LOOSE PIECE, .250 SERIES	
MATERIAL BRASS	FINISH SEE TABLE	PRODUCT SPEC -	APPLICATION SPEC -	RESTRICTED TO -
CUSTOMER DRAWING		WEIGHT -	SIZE A3	CAGE CODE 00779
		DRAWING NO C-41616		SCALE 4:1
		SHEET 1 OF 1		REV AB