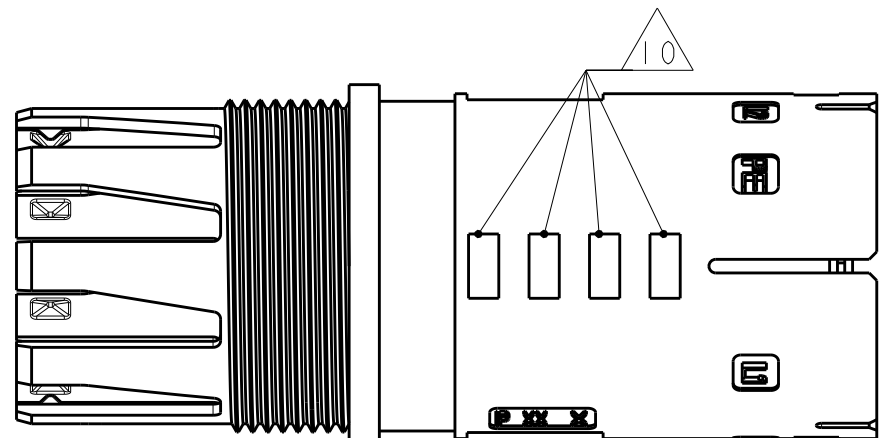
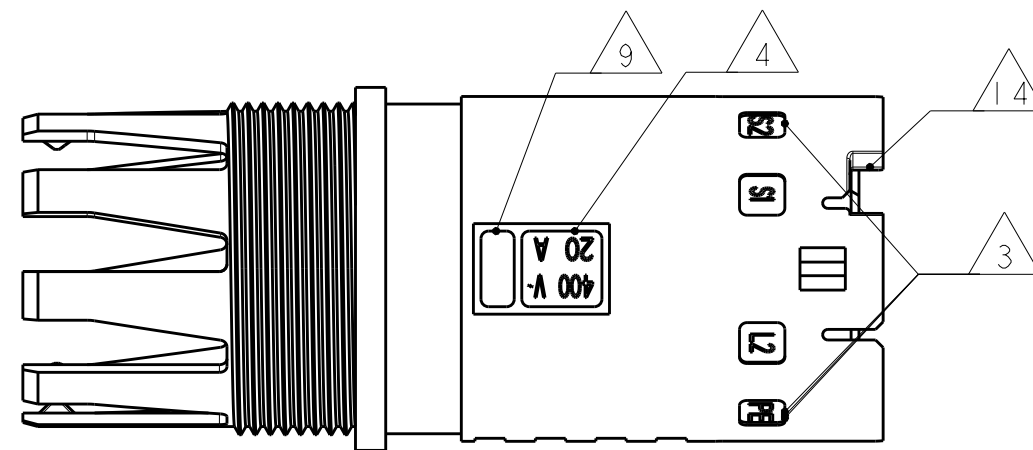
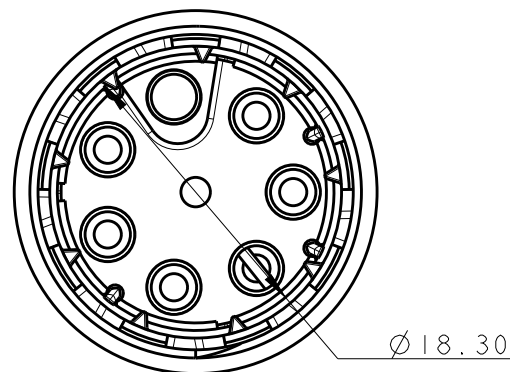
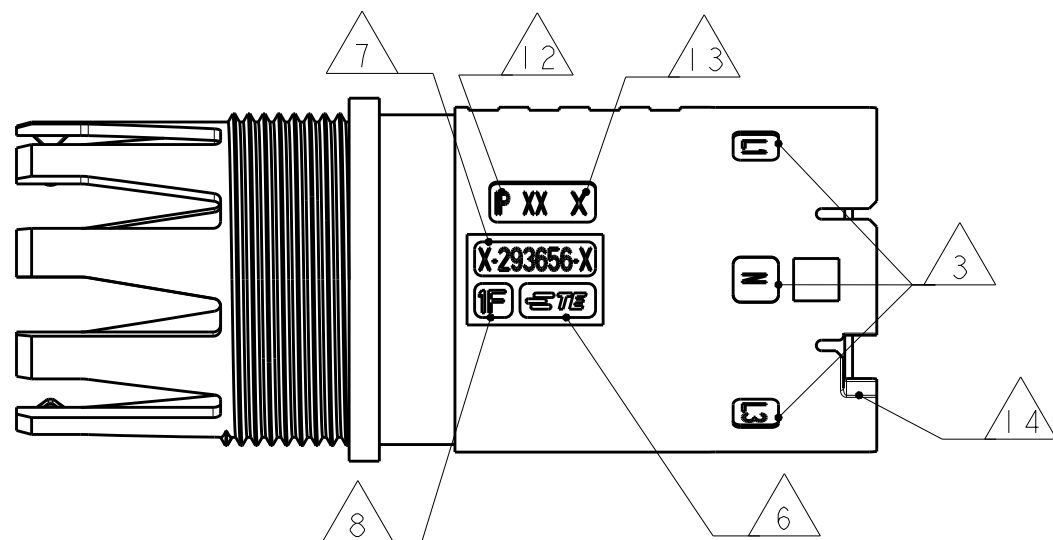


THIS DRAWING IS UNPUBLISHED. RELEASED FOR PUBLICATION 2011
© COPYRIGHT 2011 BY - ALL RIGHTS RESERVED.

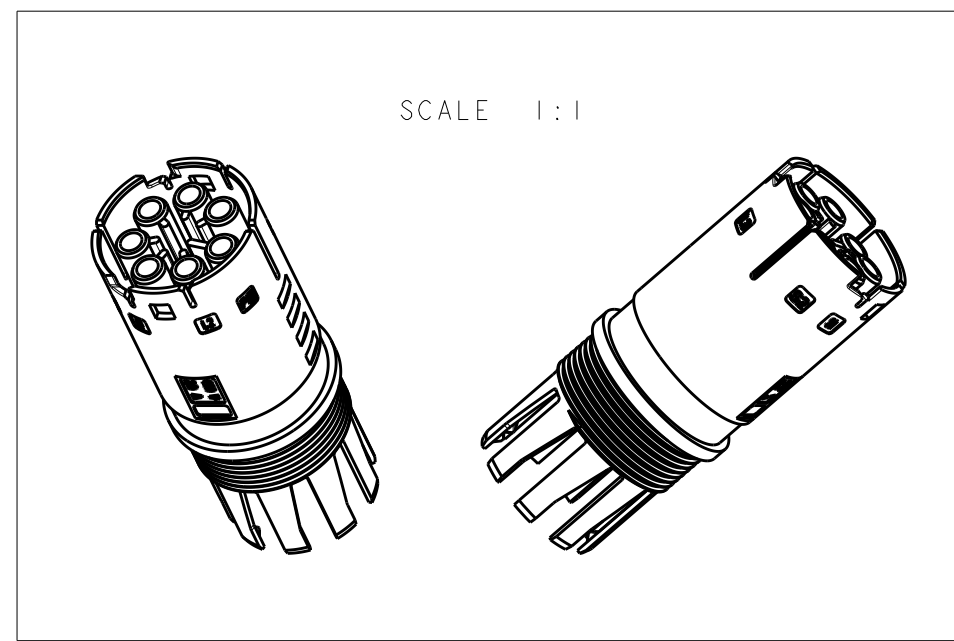
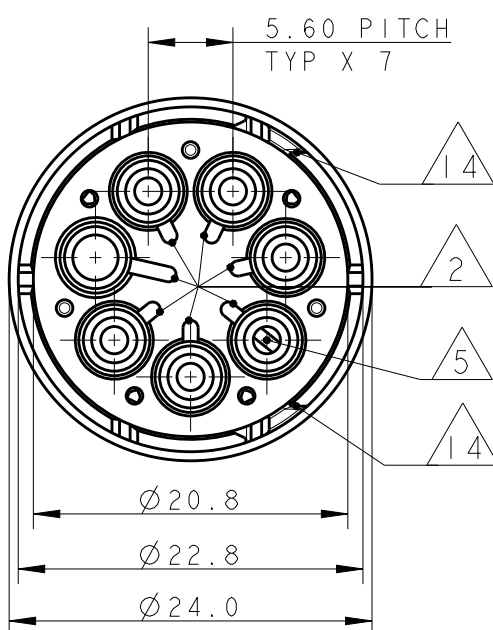
LOC	DIST	REVISIONS			
P	LTR	DESCRIPTION	DATE	DWN	APVD
	6	UPDATED	23JUL2013	MZ	JC
	A	PARTS RELEASED FOR PRODUCTION	17SEP2013	KR	JC




NOTES:

- 1 MATERIAL: PA GF (NATURAL AND BLACK COLOUR)
- 2 ALL POLARIZATION KEYS SHOWN FOR REF ONLY
- 3 WAYS I.D.
- 4 VOLTAGE AND CURRENT RATINGS
- 5 RIB CLOSING CAVITIES BY CHANGE OVER
- 6 TE LOGO
- 7 TE PART NUMBER
- 8 DATA CODE
- 9 AREA FOR AGENCIES APPROVAL LOGO
- 10 VISUAL INDOCATOR FOR PE CONDUCTOR

- 11) SEE C-DRAWING 293682 (LOCKING CAP) TO GET IP 40
- 12 IP CODE
- 13 CAVITY I.D.
- 14 SLOTS TO ALLOW DEALTCHING TOOL OPERATION. FOR DEALTCHING TOOL AND OPERATION REFER TO APPLICATION SPECIFICATION



THIS DRAWING IS A CONTROLLED DOCUMENT.		DWN A. BERNARDI 31MAR2011	 TE Connectivity	
DIMENSIONS: mm		CHK M. ZUCCA 31MAR2011		
TOLERANCES UNLESS OTHERWISE SPECIFIED:		APVD G. TURCO 31MAR2011	NAME SOCKET HOUSING 6 POLES FREE HANGING M-LINE NECTOR UNSEALED VERSION	
0 PLC ±- 1 PLC ±0.3 2 PLC ±0.20 3 PLC ±- 4 PLC ±- ANGLES ±3°		PRODUCT SPEC 108-20324	SIZE A300779	
MATERIAL -		APPLICATION SPEC 114-20169	CAGE CODE C-293656	DRAWING NO
FINISH -		WEIGHT -	RESTRICTED TO -	
		Customer Drawing	SCALE 2:1	SHEET 1 OF 2
			REV A	

THIS DRAWING IS UNPUBLISHED.

RELEASED FOR PUBLICATION

2011

© COPYRIGHT 2011 BY -

ALL RIGHTS RESERVED.

LOC	DIST	REVISIONS			
P	LTR	DESCRIPTION	DATE	DWN	APVD
	-	SEE SHEET 1	-	-	-

POLARIZATION TYPES

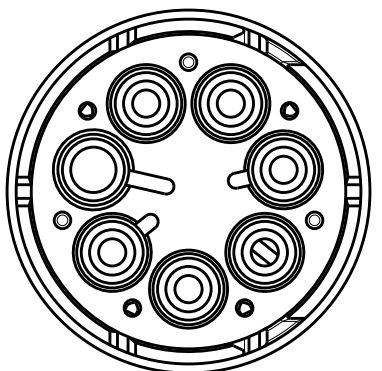
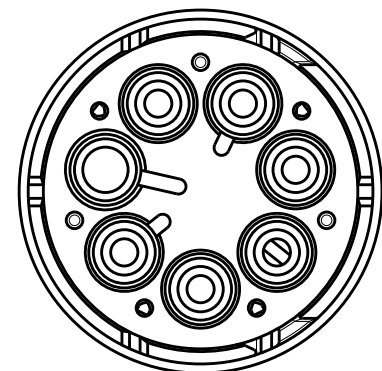
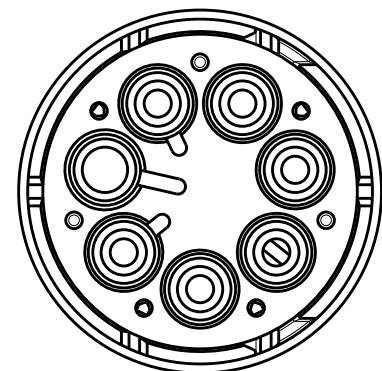
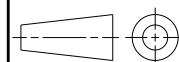
POLARIZATION TYPE "C"	POLARIZATION TYPE "D"	POLARIZATION TYPE "E"
		
PNs 0-293656-3 AND 1-293656-3	PNs 0-293656-4 AND 1-293656-4	PNs 0-293656-5 AND 1-293656-5

TABLE 1

NOTE	POL. KEYING	COLOUR	DESCRIPTION	REV.	P/N
	E	BLACK	SKT HSG 6 POLES FREE HANGING NECTOR* M-LINE	A	1-293656-5
	D	BLACK	SKT HSG 6 POLES FREE HANGING NECTOR* M-LINE	A	1-293656-4
	C	BLACK	SKT HSG 6 POLES FREE HANGING NECTOR* M-LINE	A	1-293656-3
	E	NATURAL	SKT HSG 6 POLES FREE HANGING NECTOR* M-LINE	A	0-293656-5
	D	NATURAL	SKT HSG 6 POLES FREE HANGING NECTOR* M-LINE	A	0-293656-4
	C	NATURAL	SKT HSG 6 POLES FREE HANGING NECTOR* M-LINE	A	0-293656-3

THIS DRAWING IS A CONTROLLED DOCUMENT.

DIMENSIONS:
mm



MATERIAL -

TOLERANCES UNLESS OTHERWISE SPECIFIED:

0 PLC	±-
1 PLC	±0.3
2 PLC	±0.20
3 PLC	±-
4 PLC	±-
ANGLES	±3°

FINISH -

DWN A. BERNARDI 31MAR2011

CHK M. ZUCCA 31MAR2011

APVD G. TURCO 31MAR2011

PRODUCT SPEC

108-20324

APPLICATION SPEC

114-20169

WEIGHT -

Customer Drawing



TE Connectivity

NAME
SOCKET HOUSING 6 POLES FREE HANGING
M-LINE NECTOR
UNSEALED VERSION

SIZE	CAGE CODE	DRAWING NO	RESTRICTED TO
------	-----------	------------	---------------

A300779 C-293656

SCALE 2:1 SHEET 2 OF 2 REV A