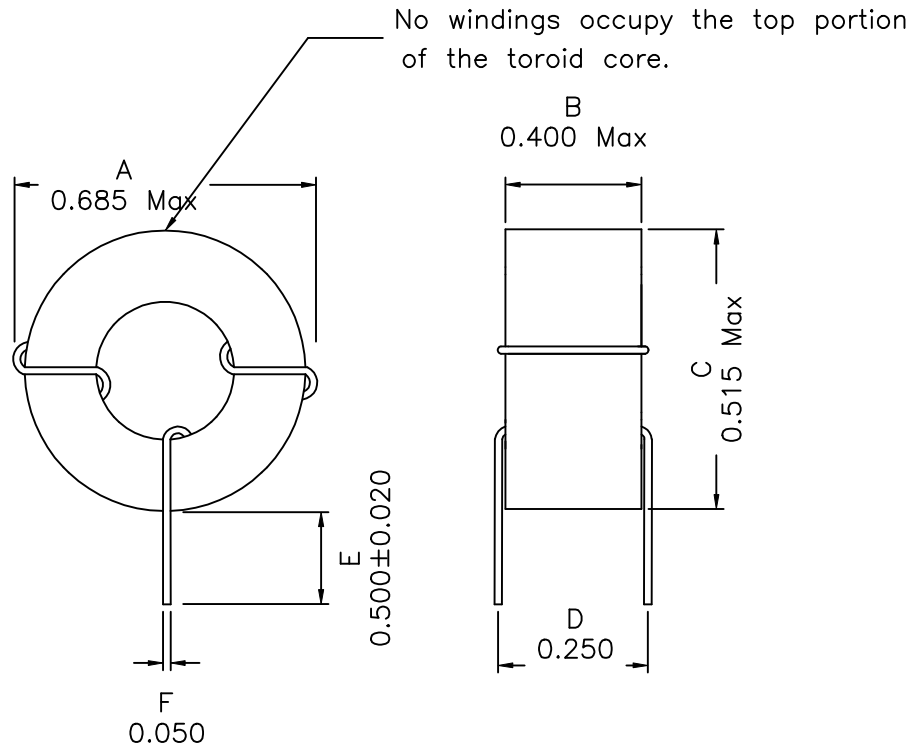


1. Mechanical Dimensions:



NOTE:

STRIP AND TIN TO MOUNTING PLAIN
VARNISH REQUIRED
NO MARKINGS REQUIRED

DOC REV: A/1

2. Schematic:



3. Electrical Specifications: @25°C

OCL: 0.333uH ± 12% @ 10KHz 0.1V, 0Adc

Rated I: 16Adc (OCL drop by 10% Typ)

DC Resistance: 0.006 Ohms Maximum

Notes:

1. Solderability: Leads shall meet MIL-STD-202, Method 208D for solderability.
2. Flammability: UL94V-0
3. ASTM oxygen index: > 28%
4. Insulation System: Class F 155°C. UL file E151556
5. Operating Temperature Range: All listed parameters are to be within tolerance from -40°C to +85°C
6. Storage Temperature Range: -55°C to +125°C
7. Aqueous wash compatible

XFMRs Inc	Title: TOROIDAL INDUCTOR		
	UNLESS OTHERWISE SPECIFIED	P/N: XF3309-V04	REV. A
TOLERANCES: .xxx ± 0.010	DWN.	廖玉坤	Oct-14-03
Dimensions in INCH	CHK.	李清儿	Oct-14-03
SHEET 1 OF 1	APP.	BW	Oct-14-03