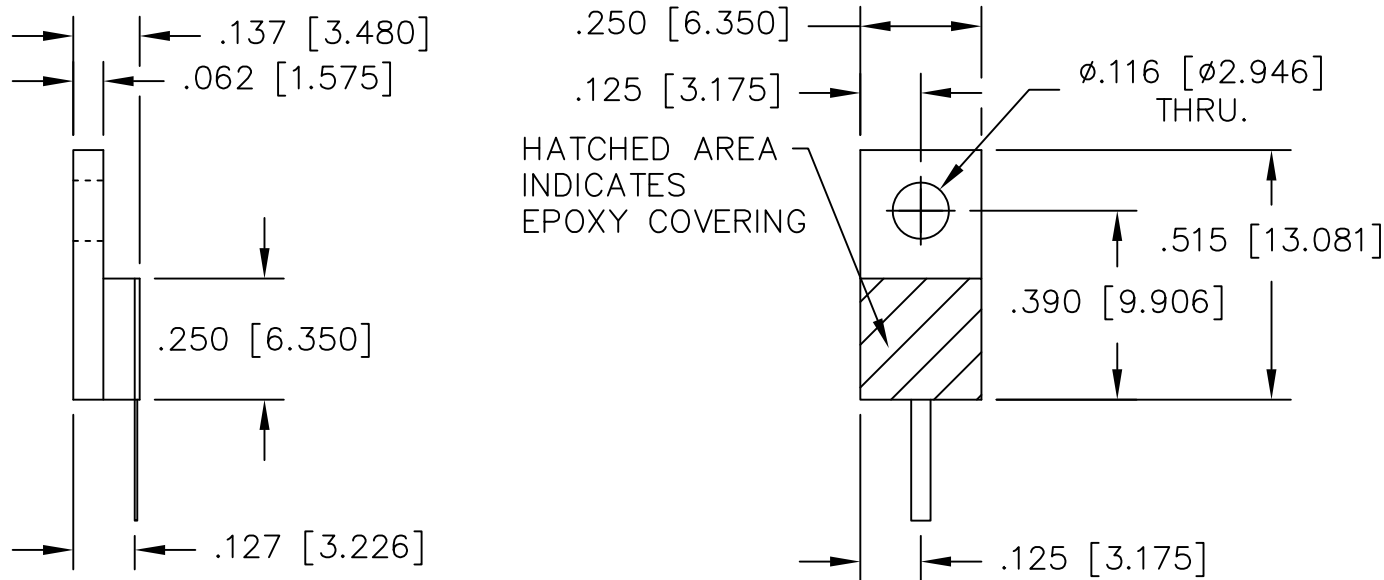


UNAUTHORIZED USE OF THIS
DRAWING IS STRICTLY PROHIBITED

DAR	REV	DESCRIPTION	APPVD	DATE
2568	A	INITIAL RELEASE	DG	7-10
3519	B	SEE DAR	DG	2-12



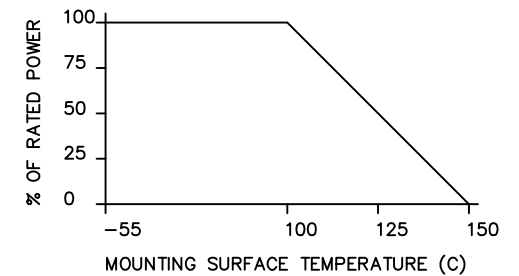
NOTES:

- LEAD MATERIAL: 99.99% PURE SILVER, .040 [1.016] WIDE x .005 [.127] THICK x .250 [6.350] MIN. LONG.
- SUBSTRATE MATERIAL: BeO
COVER MATERIAL: EPOXY
- FLANGE MATERIAL: COPPER
PLATING: NICKEL
- LEAD(S) WELDED TO SUBSTRATE.

ELECTRICAL SPECIFICATIONS

INPUT POWER: 50 WATT
 FREQ: DC - 8.5 GHZ.
 VSWR: 1.25:1 DC - 5.0 GHZ.
 1.30:1 DC - 8.5 GHZ.

POWER DERATING CURVE



PART NO.	VALUE	TOLERANCE
IPP-TB222C-50	50 OHMS	+/- 5%

MATERIAL	DWN S.Cornell	DATE 7-1-10	Innovative Power Products
	ENG DG	DATE 7-10	
FINISH	MANUF	DATE	TITLE
			TERMINATION, 8500 MHz, 50 WATT, FLANGE
TOLERANCE	CAGE CODE: 437R2		P/N
.XX ±.02 [.51]	SHEET OF	SCALE	IPP-TB222C-XXX
IN [MM] .XXX ±.010 [.254]	1 1	4:1	