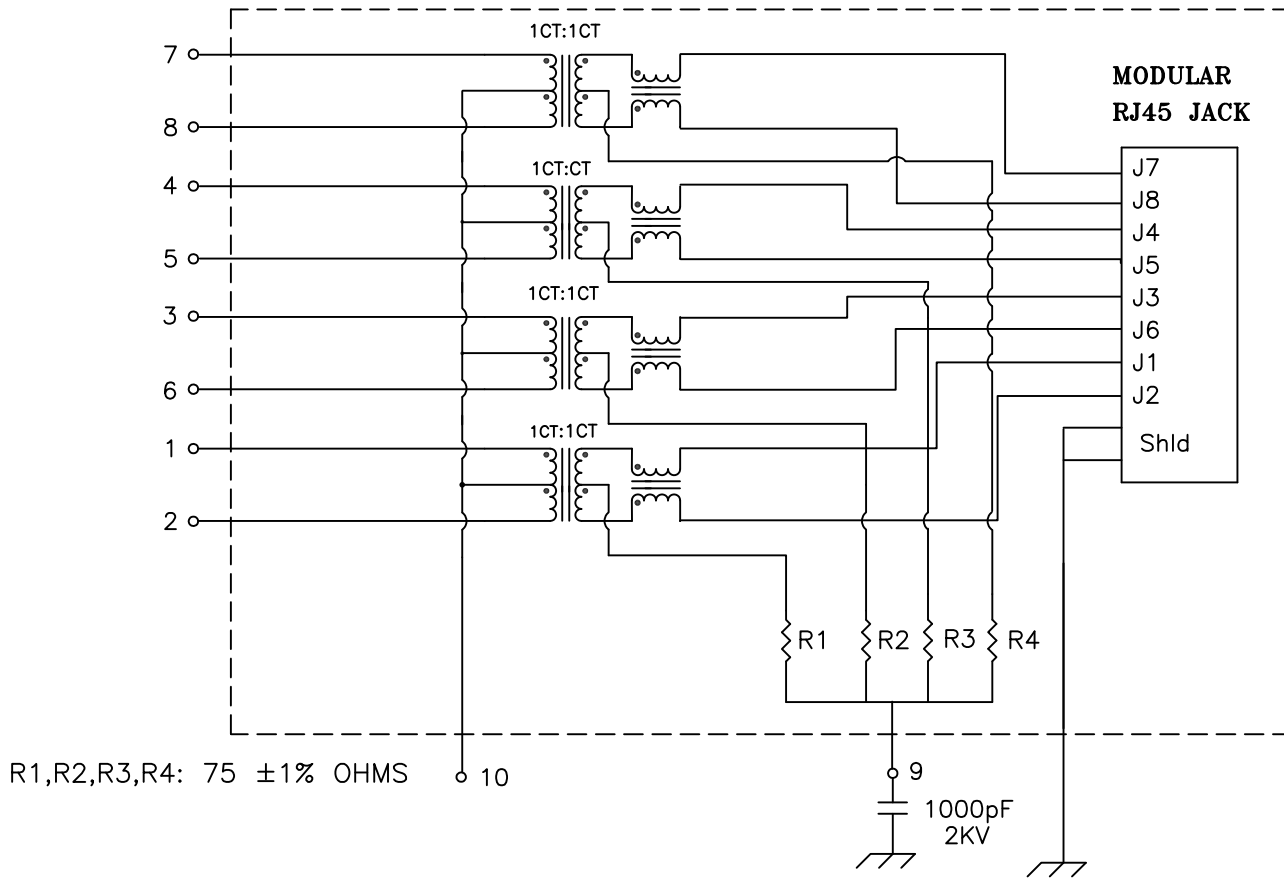


Schematic: (SINGLE PORT)



Electrical Specifications: @25°C

ISOLATION: 1500 Vrms

URNS RATIO: (PRI/SEC) 1CT:1CT ±2%

OCL: 350uH MIN @100KHz 100mV 8mADC

Rise Time: 1.75ns Max.

INSERTION LOSS: -1.0dB MAX @1MHz-100MHz

-1.5dB MAX @100-125MHz

RETURN LOSS: -18dB Min @1-30MHz

-15dB Min @40MHz -13.1dB Min @50MHz

-12dB Min @60-80MHz -10dB Min @100MHz

Differential to Common Mode Rejection:

-43dB Min @30MHz -37dB Min @80MHz

-33dB Min @100MHz

CMRR: -30dB Min @1-100MHz

Crosstalk: -45dB Min @30MHz

-40dB Min @60MHz -35dB Min @100MHz

Q: 5 Min @100KHz 100mV

Notes:

1. Solderability: Leads shall meet MIL-STD-202G, Method 208H for solderability.
2. Flammability: UL94V-0
3. ASTM oxygen index: > 28%
4. UL Recognized Component: File Number E165866
5. Operating Temperature Range: All listed parameters are to be within tolerance from -40°C to +85°C
6. Storage Temperature Range: -55°C to +125°C
7. Aqueous wash compatible
8. Electrical and mechanical specifications 100% tested
9. RoHS Compliant Component

DOC REV.: A/2

XFMRs Inc.
www.XFMRS.com

Title:
SINGLE PORT XLR GIGABIT COMBO

UNLESS OTHERWISE SPECIFIED
TOLERANCES:
.xxx ±0.010

P/N: XFGIB100-RXLRLP1-2

REV. A

DWN.

Yuan

Sep-23-13

CHK.

YK Liao

Sep-23-13

APP.

DDC

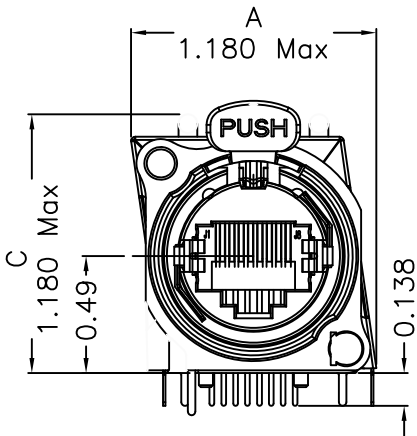
Sep-23-13

PROPRIETARY:

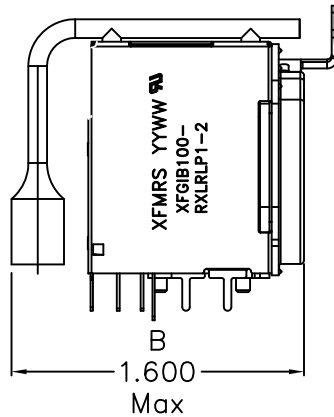
Document is the property of XFMRs Group & is not allowed to be duplicated without authorization.

SHEET 1 OF 2

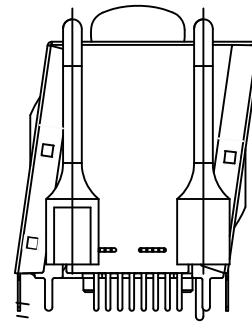
Mechanical Dimensions:



(FRONT VIEW)

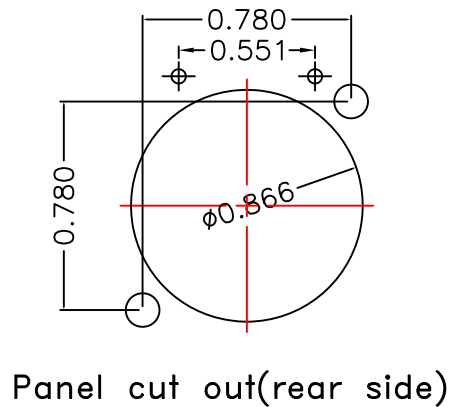
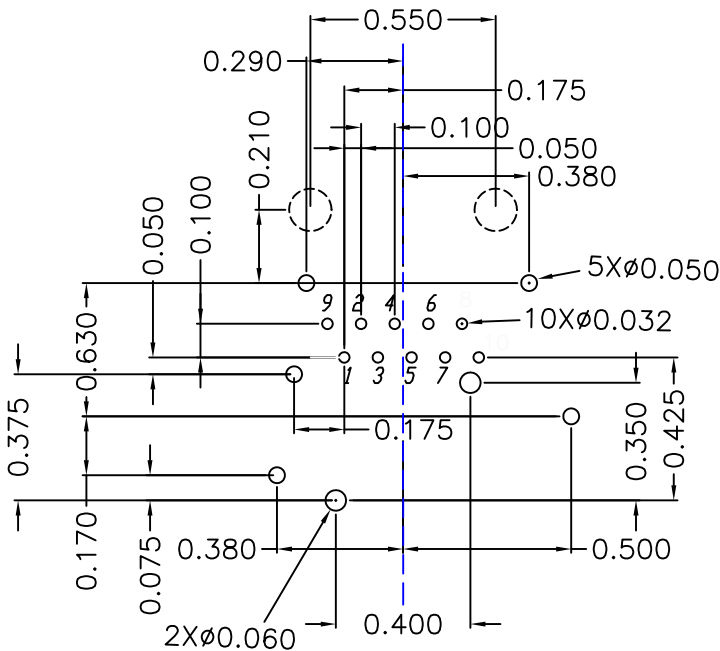


(SIDE VIEW)



(BACK VIEW)

Mounting Pattern:



Panel cut out(rear side)

SUGGESTED MOUNTING PATTERN (COMPONENT SIDE)

DOC. REV: A/2

XFMRs Inc.
www.XFMRS.com

Title: Mechanical Dimensions
For RXLRLP1-2 Series

UNLESS OTHERWISE SPECIFIED
TOLERANCES:
.xxx ±0.010
Dimensions in Inch

P/N: XFGIB100-RXLRLP1-2

REV. A

DWN.

Yuan

Sep-23-13

CHK.

YK Liao

Sep-23-13

APP.

DDC

Sep-23-13

PROPRIETARY:

Document is the property of XFMRs Group & is not allowed to be duplicated without authorization.

SHEET 2 OF 2