

Low-Power, Dual-Core Microcontroller

General Description

The MAXQ3108 is a low-power microcontroller that features two high-performance MAXQ20 cores: a dedicated core (DSPCore) for intensive data processing and a user core (UserCore) for supervisory functions. The two cores can operate at different clock speeds, allowing lower system power consumption for even processing intensive applications. The UserCore can be configured to run at the lowest clock rate possible for monitoring the peripherals for communication activities, while the DSPCore runs at the highest speed. Each core has access to an independent math accelerator (a multiply/accumulate unit). The UserCore supports SPI™, I²C, two UART channels with one channel supporting IR carrier modulation, a trimmable real-time clock (RTC), battery-backed RTC registers, and data memory. The DSPCore is fully user programmable and configurable. With the standard 32,768Hz crystal, the DSPCore operates at 10.027MHz, while the UserCore runs at 5.014MHz.

Applications

Electricity Meters
Industrial Control
Battery-Powered and Portable Devices
Smart Transmitters
Medical Instrumentation

Features

- ◆ **High-Performance, Low-Power, Dual 16-Bit RISC Cores**
- ◆ **Approaches 1MIPS per MHz**
- ◆ **System Clock**
 - 10.027MHz (DSPCore)
 - 5.014MHz (UserCore)
- ◆ **33 Instructions**
- ◆ **Approximately 100ns Execution Time at 10.027MHz**
- ◆ **Three Independent Data Pointers Accelerate Data Movement with Automatic Increment/Decrement**
- ◆ **16-Bit Instruction Word, 16-Bit Data Bus**

- ◆ **16 x 16-Bit General-Purpose Working Registers for Each Core**
- ◆ **16-Level Hardware Stack for Each Core**
- ◆ **Hardware Support for Software Stack**
- ◆ **Memory Features**

UserCore
64KB Flash Program Memory
16B Battery-Backed (VBAT) Data SRAM
4KB Utility ROM
2KB Data SRAM; 10KB Total Data SRAM (If DSPCore Inactive)

DSPCore
8KB User-Loadable SRAM Code Memory
1KB Data SRAM

- ◆ **Peripherals**

FLL (10MHz Output with 32kHz Input)
SPI Master, I²C Master
Two UART Channels (One Supports IR Carrier Modulation)
Math Accelerator for Each Core
Three Manchester Decoder and Cubic Sinc Filter Channels for Interfacing to DS8102 Delta-Sigma Modulators
Two 16-Bit Programmable Timer/Counters
RTC with Alarms and Digital Trim, Dedicated Battery-Backup Pin (VBAT)
Two Programmable Pulse Generators
Independent Watchdog Timer for Each Core
External Interrupts
JTAG Interface

- ◆ **Operating Modes**

Stop Mode: 0.1µA typ
Active Current at 10MHz and V_{DD} = 2.0V: 1.0mA typ

Ordering Information

PART	TEMP RANGE	PIN-PACKAGE
MAXQ3108-FFN+	-40°C to +85°C	28 TSSOP

+Denotes a lead(Pb)-free/RoHS-compliant package.

Pin Configuration appears at end of data sheet.

SPI is a trademark of Motorola, Inc.

MAXQ is a registered trademark of Maxim Integrated Products, Inc.

Note: Some revisions of this device may incorporate deviations from published specifications known as errata. Multiple revisions of any device may be simultaneously available through various sales channels. For information about device errata, go to: www.maxim-ic.com/errata.

Low-Power, Dual-Core Microcontroller

TABLE OF CONTENTS

Absolute Maximum Ratings	.4
Recommended DC Operating Conditions	.4
Block Diagram	.6
Pin Description	.7
Detailed Description	.8
Microprocessor	.8
Memory	.9
DSP Program RAM	.10
Registers	.10
System Registers	.10
Peripheral Registers—UserCore	.10
Peripheral Registers—DSPCore	.15
Special Function Register Bit Descriptions	.17
Peripherals	.50
Pins	.50
Clock	.51
32,768Hz Crystal Oscillator	.52
Frequency-Locked Loop (FLL)	.52
Power Conservation	.52
Power-Management Mode	.53
Switchback	.53
Stop Mode	.54
Idle Mode	.54
Reset	.54
Power-On Reset/Brownout Reset Generation	.54
Watchdog Timer Reset	.55
External Reset	.55
Reset Input Pin Disable	.55
Peripheral Devices	.55
GPIO Ports	.55
UARTs	.55
Infrared Support	.56
SPI	.56
I ² C Interface	.56
ADC Inputs	.58
ADC Registers	.59

Low-Power, Dual-Core Microcontroller

MAXQ3108

TABLE OF CONTENTS (continued)

Dual-Core Interfaces59
DSP Code Memory60
Intercore Communications60
Timer 261
Timer B61
Timer B Use-Case Scenarios62
Multiply-Accumulate Unit62
Real-Time Clock62
Programmable Pulse Generators62
In-Application Flash Programming63
Development and Technical Support63
Additional Documentation63
Pin Configuration64
Package Information64

LIST OF FIGURES

Figure 1. Memory Map9
Figure 2. IR Option on UART 056
Figure 3. ADC Bit Stream Decoder58
Figure 4. Connecting the MAXQ3108 to a DS8102 Dual Delta-Sigma Modulator59

LIST OF TABLES

Table 1. UserCore Peripheral Registers10
Table 2. UserCore Peripheral Register Default Values13
Table 3. DSPCore Peripheral Registers15
Table 4. DSPCore Peripheral Register Default Values16
Table 5. Multipurpose Pin Description50
Table 6. MAXQ3108 Clock Divisors53

Low-Power, Dual-Core Microcontroller

ABSOLUTE MAXIMUM RATINGS

Voltage Range on Any Pin
 except V_{DD} with Respect to V_{SS} -0.3V to V_{DD}
 Voltage Range on V_{DD} with Respect to V_{SS} -0.3V to +3.6V
 Operating Temperature Range-40°C to +85°C

Storage Temperature Range-65°C to +150°C
 Soldering Temperature.....Refer to the IPC/JEDEC
 J-STD-020 Specification.

Stresses beyond those listed under "Absolute Maximum Ratings" may cause permanent damage to the device. These are stress ratings only, and functional operation of the device at these or any other conditions beyond those indicated in the operational sections of the specifications is not implied. Exposure to absolute maximum rating conditions for extended periods may affect device reliability.

RECOMMENDED DC OPERATING CONDITIONS

($V_{DD} = V_{RST}$ to 3.6V, $T_A = -40^\circ\text{C}$ to $+85^\circ\text{C}$.) (Notes 1, 2)

PARAMETER	SYMBOL	CONDITIONS	MIN	TYP	MAX	UNITS
Supply Voltage	V_{DD}		V_{RST}		3.6	V
Power-Fail Reset Voltage	V_{RST}	Monitors V_{DD}	1.875		1.975	V
1.8V Internal Regulator	V_{REG18}		1.71	1.8	1.89	V
1.8V Power-Fail Reset Voltage	V_{REGRST}	Monitors REGOUT	1.62		1.71	V
Battery Supply Voltage	V_{BAT}		1.8		3.6	V
Battery Current (Note 3)	I_{BAT1}	$V_{DD} = 0$, $V_{BAT} = 3.6\text{V}$, 32kHz oscillator and RTC enabled		0.8		μA
		$V_{DD} = 0$, $V_{BAT} = 2\text{V}$, 32kHz oscillator and RTC enabled		0.6		
Active Current with 32.768kHz Crystal Connected to CX1, CX2; FLL Selected (10MHz Output); ENDSP = 0; All Decimators and Sinc Filters Off (Note 4)	I_{DD_FLL1}	/1 mode, $V_{DD} = 2.0\text{V}$		1.3	2.2	mA
	I_{DD_FLL2}	/1 mode, $V_{DD} = 3.6\text{V}$		1.5	2.5	
	I_{DD_FLL9}	PMM2 (32kHz), $V_{DD} = 2.0\text{V}$		0.5	0.8	
	I_{DD_FLL10}	PMM2 (32kHz), $V_{DD} = 3.6\text{V}$		0.6	1.0	
Active Current with 32.768kHz Crystal Connected to CX1, CX2; FLL Selected (10MHz Output); UserCore = /256 PMM; DSPCore = /1; ENDSP = 1; Manchester Decoders On; Decimators On	I_{DD_FLL14}	$V_{DD} = 2.0\text{V}$		1.0	1.7	mA
	I_{DD_FLL15}	$V_{DD} = 3.6\text{V}$		1.8	3.0	
Stop-Mode Current (Note 5)	I_{STOP_1}	BOD = 1, REGEN = 0, SVMSTOP = 0, RTC off (lowest current stop mode)		0.1	2.4	μA
	I_{STOP_2}	BOD = 0, REGEN = 0, SVMSTOP = 0, RTC off (adds brownout-reset detection)		30	125	
Input Low (CX1)	V_{IL1}		V_{SS}	$0.20 \times V_{DD}$		V
Input Low (All Other Pins)	V_{IL2}		V_{SS}	$0.30 \times V_{DD}$		V
Input High (CX1)	V_{IH1}		$0.75 \times V_{DD}$		V_{DD}	V
Input High (All Other Pins)	V_{IH2}		$0.70 \times V_{DD}$		V_{DD}	V
Input Hysteresis (Schmitt)	V_{IHYS}		0.18			V
Output Low (All Port Pins)	V_{OL}	$I_{OL} = 4\text{mA}$ (Note 6)	V_{SS}		0.4	V
Output High (All Port Pins)	V_{OH}	$I_{OH} = -4\text{mA}$ (Note 6)	$V_{DD} - 0.4$			V

Low-Power, Dual-Core Microcontroller

MAXQ3108

RECOMMENDED DC OPERATING CONDITIONS (continued)

($V_{DD} = V_{RST}$ to 3.6V, $T_A = -40^{\circ}\text{C}$ to $+85^{\circ}\text{C}$.) (Notes 1, 2)

PARAMETER	SYMBOL	CONDITIONS	MIN	TYP	MAX	UNITS
Input/Output Pin Capacitance	C_{IO}	Guaranteed by design			15	pF
Input Low Current All Pins	I_{IL}	$V_{IN} = 0.4\text{V}$			-30	μA
Input-Leakage Current	I_L	Internal pullup disabled	-100		+100	nA
Input Pullup Resistor (All Inputs)	R_{PU}			60		$\text{k}\Omega$
CLOCK SOURCE						
FLL Output Frequency	f_{FLL}	CX1 = 32.768kHz	9.5	10.0	10.5	MHz
FLL Output Accuracy	Δf_{FLL}	CX1 = 32.768kHz		1.5	± 5	%
FLASH MEMORY						
System Clock During Flash Programming/Erase			2			MHz
Flash Erase Time		Mass erase	22.8	24	25.2	ms
		Page erase	22.8	24	25.2	
Flash Programming Time Per Word		(Note 7)	59.5		66.5	μs
Write/Erase Cycles				1000		Cycles
Data Retention		$T_A = +25^{\circ}\text{C}$	100			Years
SUPPLY VOLTAGE MONITOR						
Set Point	SV_{TR}		2.0		3.5	V
Increment Resolution				0.1		V
Default Set Point				2.7		V
Current Consumption	I_{SVM}				10	μA
Start Time	t_{SVMST}				200	μs
Setup Time (Change Set Point)	t_{SVM_SU1}	Changing from one set point to another set point			2	μs
Setup Time (Stop Mode Exit)	t_{SVM_SU2}	Exit from stop mode			8	μs
REAL-TIME CLOCK						
RTC Input Frequency	f_{32KIN}	32kHz watch crystal		32,768		Hz
RTC Operating Current	I_{RTC}	$V_{DD} = 2.0\text{V}$		0.6		μA
		$V_{DD} = 3.6\text{V}$		0.8		

Note 1: Results based on simulation data. Characterization data will be available at a later date. All voltages are referenced to ground. Specifications to $T_A = -40^{\circ}\text{C}$ are guaranteed by design and are not production tested.

Note 2: Typical values are not guaranteed. These values are measured at room temperature, $V_{DD} = 3.3\text{V}$.

Note 3: This current is from V_{BAT} only if ($V_{DD} < V_{BAT}$ and $V_{DD} < V_{RST}$) or ($STOP = 1$, $REGEN = 0$, $BOD = 1$). Otherwise, this current is from V_{DD} .

Note 4: Measured on the V_{DD} pin and the device not in reset. All inputs are connected to V_{SS} or V_{DD} . Outputs do not source/sink any current. Timer enabled, RTC enabled, part executing JUMP \$ from flash.

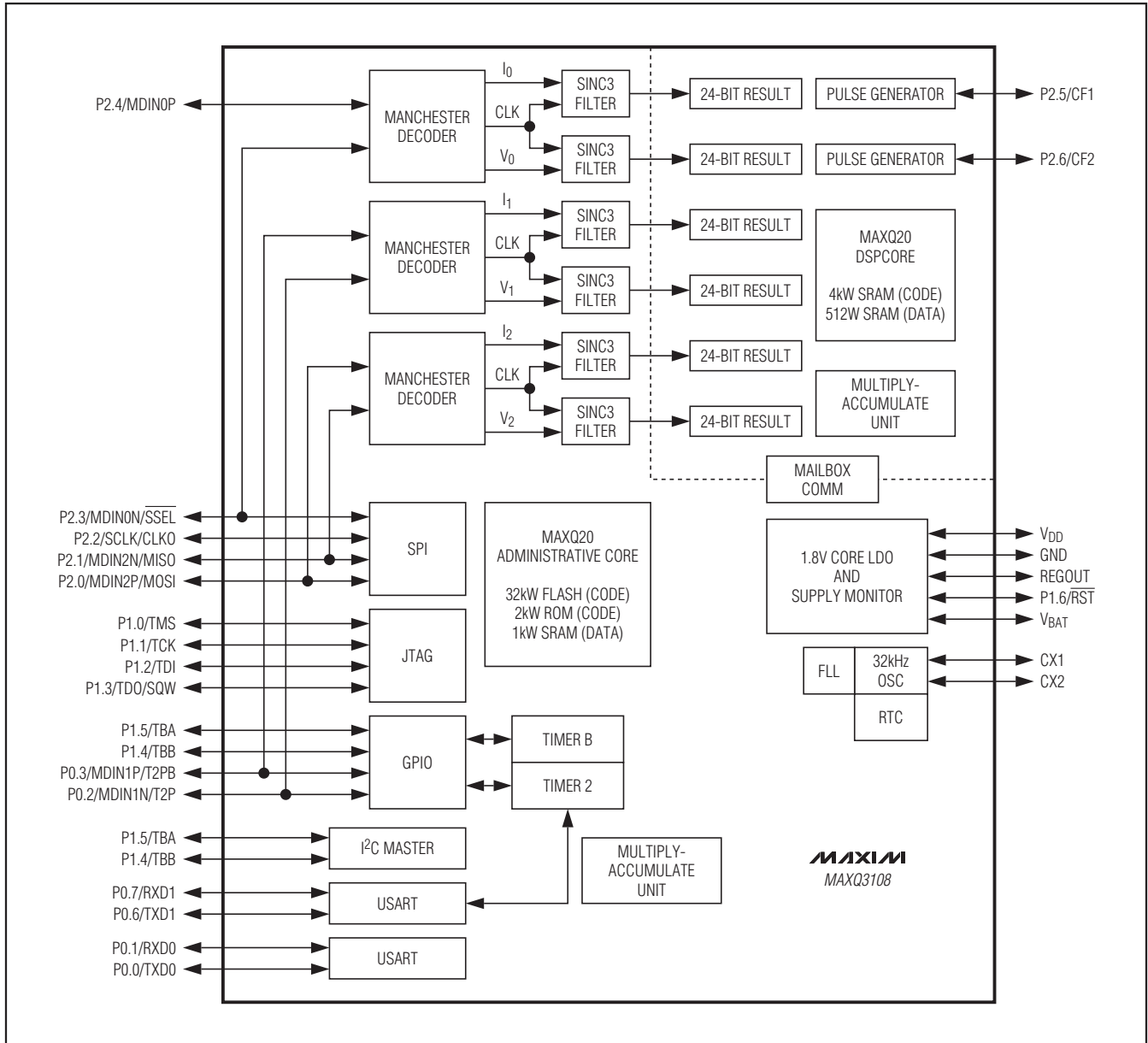
Note 5: If the RTC is on for parameters I_{STOP_2} , I_{STOP_3} , and I_{STOP_4} , a current equal to I_{BAT1} is added to I_{DD} .

Note 6: The maximum total current, $I_{OH(MAX)}$ and $I_{OL(MAX)}$, for all outputs combined should not exceed 35mA to satisfy the maximum specified voltage drop.

Note 7: The timing listed above is clocked by 63 cycles of the internal 1MHz $\pm 5\%$ clock. There will be ROM code overhead, which is a function of system clock. For data sheet purposes, a better way is to specify the limits that include ROM code execution with specified system clock speed.

Low-Power, Dual-Core Microcontroller

Block Diagram



Low-Power, Dual-Core Microcontroller

Pin Description

MAXQ3108

PIN	NAME	FUNCTION		
POWER PINS				
21	V _{DD}	Supply Voltage. Must be bypassed with a 4.7µF capacitor with ESR < 5Ω and a 0.1µF ceramic capacitor.		
17	GND	Ground		
20	REGOUT	Regulator Output. 1.8V output. Must be connected to a 1µF low-ESR (< 1Ω) external ceramic chip capacitor.		
19	V _{BAT}	Battery Input for Backing Up the RTC		
CLOCK PINS				
15, 16	CX1, CX2	RTC Crystal Inputs. The RTC requires a 32.768kHz crystal to be connected in order to supply the time base for the RTC. The 6pF load capacitors are included in the circuitry.		
I/O PINS				
2–7, 23, 22	P0.0–P0.7	Port 0. Port 0 functions as both an 8-bit I/O port and as a special function interface to the I ² C master and serial UARTs 0 and 1. All pins support external interrupt functionality. The default reset condition of the pins is weakly pulled up (input). To drive output, either the port direction register must be programmed to enable output or the alternate function module must be configured to drive the pins. This port is accessible to the UserCore only.		
		PIN	PORT	ALTERNATE FUNCTION
		2	P0.0	TXD0/INT0
		3	P0.1	RXD0/INT1
		4	P0.2	MDIN1N/T2P/INT2
		5	P0.3	MDIN1P/T2PB/INT3
		6	P0.4	SDA/INT4
		7	P0.5	SCL/INT5
		23	P0.6	TXD1/INT6
22	P0.7	RXD1/INT7		
10, 11, 12, 13, 14, 18, 24	P1.0–P1.6	Port 1. Port 1 functions as both a 6-bit I/O port and as a special function interface to the JTAG compatible test access port (TAP), the RTC square-wave output, and as the input/output to and from timer B. All pins support external interrupt functionality. The default reset condition of pins P1.0–P1.3 is the JTAG functions. To use the 4-bit port as standard GPIO, the TAP must be disabled by user code. This port is accessible to the UserCore only.		
		Active-Low Reset (\overline{RST}). The \overline{RST} pin recognizes external active-low reset inputs and employs an internal pullup resistor to allow for a combination of wired-OR external reset sources. An RC is not required for power-up, as this function is provided internally. The \overline{RST} pin function is enabled on power-on reset. It is critical that this pin not be held low externally after a power-on reset or the device cannot exit the reset state.		
		PIN	PORT	ALTERNATE FUNCTION
		10	P1.0	TMS/INT8
		11	P1.1	TCK/INT9
		12	P1.2	TDI/INT10
		13	P1.3	TDO/SQW/INT11
		14	P1.4	TBB
		18	P1.5	TBA
24	P1.6	\overline{RST}		

Low-Power, Dual-Core Microcontroller

Pin Description (continued)

PIN	NAME	FUNCTION		
1, 28, 27, 26, 25, 8, 9	P2.0–P2.6	Port 2. Port 2 functions as both a 7-bit I/O port and as a special function interface to the CF pulse generator outputs, clock output, and the Manchester ENDEC or SPI. The default reset condition of the pins is weakly pulled up (input), with exception of P2.5 and P2.6, which are always outputs and default to strong high. To drive output, either the port direction register must be programmed to enable output, or the alternate function module must be configured to drive the pins. P2.5 and P2.6 are accessible to the DSPCore only.		
		PIN	PORT	ALTERNATE FUNCTION
		1	P2.0	MDIN2P/MOSI
		28	P2.1	MDIN2N/MISO
		27	P2.2	SCLK/CLKO
		26	P2.3	MDIN0N/SSEL
		25	P2.4	MDIN0P
		8	P2.5	CF1
9	P2.6	CF2		

Detailed Description

The MAXQ3108 microcontroller is an integrated, low-cost solution to simplify the design of electricity metering and industrial control products. Standard features include two highly optimized, single-cycle, MAXQ 16-bit RISC microcontroller cores; 64KB of flash memory, 11KB RAM, and independent hardware stacks; general-purpose registers; and data pointers for each core. Application-specific peripherals include hardware SPI and I²C masters, real-time clock, programmable pulse generators, dual UARTs (one of which that supports IR carrier frequency modulation), and math accelerators.

At the heart of the MAXQ3108 are two MAXQ20 16-bit RISC microcontrollers. The dual-core approach allows one core (DSPCore) to be entirely dedicated to collection and processing of AFE samples for the metering function, while the second core handles any communication and user-specific administrative functions. The MAXQ3108 DSPCore operates at 10.027MHz with the default crystal and almost all instructions execute in a single clock cycle (100ns), while the UserCore runs at half that frequency (5.014MHz).

The dual-core strategy promotes flexibility by allowing the update of metering routines and parameters separately in DSPCore code and data memory. Furthermore, an independent DSPCore solely responsible for accurate metering introduces a measure of safety and reliability since all administrative/communication functions and interruptions are handled by the UserCore. Both cores feature standard MAXQ power-saving system

clock-divide modes and independently implement low-power stop (UserCore) and idle (DSPCore) modes. The DSPCore implements an idle mode that allows CPU execution to be halted while awaiting an ADC sample. The UserCore implements an ultra-low-power stop mode that automatically disables the DSPCore and results in a quiescent current consumption of less than 1.5µA. The combination of high performance and core-specific low-power mode implementation provides increased power efficiency and capability over competitive microcontrollers.

Microprocessor

The MAXQ20 is a low-power implementation of the new 16-bit MAXQ family of RISC cores. The core supports the Harvard memory architecture with separate 16-bit program and data address buses, but also provides pseudo-Von Neumann support through utility ROM functions. A fixed 16-bit instruction is standard, but data can be arranged in 8 or 16 bits. The MAXQ20 core is implemented as a nonpipelined processor with single clock-cycle instruction execution. The data path is implemented around register modules, and each register module contributes specific functions to the core. The accumulator module consists of sixteen 16-bit registers and is tightly coupled to the arithmetic logic unit (ALU). Program flow is supported by a dedicated 16-level-deep hardware stack.

Execution of instructions is triggered by data transfer between functional register modules, or between a functional register module and memory. Since data

Low-Power, Dual-Core Microcontroller

movement involves only source and destination modules, circuit switching activities are limited to active modules only. For power-conscious applications, this approach localizes power dissipation and minimizes switching noise. The modular architecture also provides maximum flexibility and reusability, which are important for a microprocessor used in embedded applications.

The MAXQ instruction set is designed to be highly orthogonal. All arithmetical and logical operations can use any register along with the accumulator. Data movement is supported from any register to any other register. Memory is accessed through specific data pointer registers with auto increment/decrement support.

Memory

The MAXQ3108 supports a pseudo-Von Neumann memory structure that can merge program and data into a linear memory map. This is accomplished by mapping the data memory into the program space or mapping the program memory segment into the data space. Memory access is under the control of the memory management unit (MMU). During flash programming, the MMU maps the flash memory into data space, and the built-in firmware provides necessary controls to the

embedded flash memory for all read/erase/write operations when the ROM loader is invoked. Additionally, when the DSPCore is disabled, all its code SRAM (8KB) is mapped into the data SRAM space of the UserCore. This allows streamlined reconfiguration of the DSP code memory or a larger data SRAM for applications not employing DSPCore operation.

The MAXQ3108 incorporates the following:

- 4KB utility ROM
- 64KB program flash
- 2KB SRAM data memory
- 8KB program SRAM (DSPCore)
- 1KB SRAM data memory (DSPCore)

The MMU operates automatically and maps data memory as a function of the contents of the instruction pointer; that is, the execution location controls the structure of the data memory map. The only constraint is that no memory region is available as data when code is being fetched from that region. For example, when executing from flash, flash cannot be read as data. But changing the execution location to the utility ROM through a subroutine call allows the flash memory to be read as data.

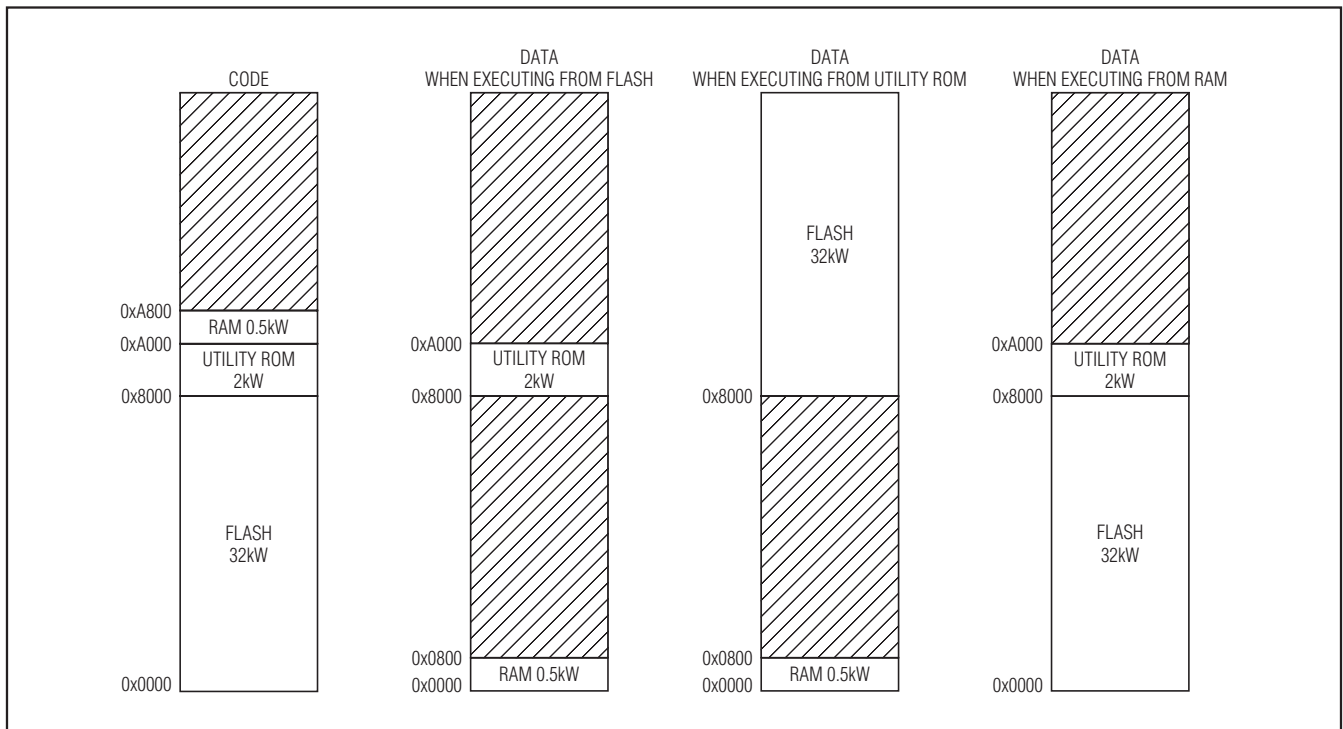


Figure 1. Memory Map

Low-Power, Dual-Core Microcontroller

DSP Program RAM

A 4K Word (8KB) section of memory is available to the DSPCore as code memory. When the DSPCore is disabled (as it is immediately following a reset event) that block of memory appears in the UserCore data memory map at location 0x1000. Thus, a typical startup sequence to operate both cores might include:

- 1) Low-level initialization of the UserCore.
- 2) Copy DSP code from program flash to DSPCore code RAM at 0x1000.
- 3) Enable DSPCore.
- 4) Poll mailbox registers to verify that DSPCore is correctly running.

For more information, see the *Dual-Core Interfaces* section.

Registers

The MAXQ family of microcontrollers uses a bank of registers to access memory and peripherals and to perform basic CPU activities. These registers are organized into as many as 16 register modules, each of which can have as many as 32 registers, giving a system maximum of 512 registers. The registers are divided into two sections: system registers (modules 7 to 15) and peripheral registers (modules 0 to 5).

Since the MAXQ3108 contains two MAXQ core processors, each has a set of system registers and a set of peripheral registers.

System Registers

The MAXQ3108 UserCore implements the standard set of system registers as described in the *MAXQ Family User's Guide*. The exceptions are listed below:

- In the IMR register, bit IM5 is not implemented since there is no module 5 implemented in the MAXQ3108.

- In the SC register, bits CDA1 and UPM are not implemented since the size of the memory in the device does not require their implementation.
- In the IIR register, bit I15 is not implemented since there is no module 5 implemented in the MAXQ3108.
- In the CKCN register, bits XT/ \overline{RC} , RGSL, and RGMD are not implemented. Instead, bits 5 and 6 are FLLMD and FLLSL, respectively. These bits support the frequency-locked loop (FLL) that forms a core part of the MAXQ3108 clocking scheme. More information is given in the *Clock* section.

The MAXQ3108 DSPCore system register complement is identical to that found in the UserCore, with these exceptions:

- In the IMR register, only IM0 is implemented.
- The system control (SC) register is not implemented.
- In the IIR register, only the I10 bit is implemented.
- The WDCN register is not implemented because there is no watchdog timer in the DSPCore. Watchdog functionality can be implemented in the UserCore by determining if the DSPCore is responding to messages.
- In the CKCN register, the STOP, RGSL, and SWB bits are not implemented because the corresponding functions do not exist in the DSPCore. The FLLMD and FLLSL bits are not implemented because a common clock block is shared with the UserCore, and the control bits here would be redundant.

Peripheral Registers—UserCore

The MAXQ3108 UserCore exposes its peripheral complement in five modules numbered 0 to 4. Table 1 describes the functions associated with the peripheral registers, and Table 2 shows the default values of these registers.

Table 1. UserCore Peripheral Registers

REGISTER	MOD: REG	BIT															
		15	14	13	12	11	10	9	8	7	6	5	4	3	2	1	0
AD0	0:0	ADC0 Output Register															
AD1	0:1	ADC1 Output Register															
AD2	0:2	ADC2 Output Register															
AD3	0:3	ADC3 Output Register															
AD4	0:4	ADC4 Output Register															
AD5	0:5	ADC5 Output Register															
SRSP0	0:6												RSPSDV	REQE	RSPST		
SRSP1	0:7	Slave Response Register 1															
AD0LSB	0:8	ADC0 Output Register LSB															

Low-Power, Dual-Core Microcontroller

MAXQ3108

Table 1. UserCore Peripheral Registers (continued)

REGISTER	MOD: REG	BIT																
		15	14	13	12	11	10	9	8	7	6	5	4	3	2	1	0	
AD1LSB	0:9																	
AD2LSB	0:10																	
AD3LSB	0:11																	
AD4LSB	0:12																	
AD5LSB	0:13																	
MREQ0	0:14																	
MREQ1	0:15																	
MREQ2	0:16																	
ADCN	0:17	IFCSEL	IF54E	IF32E	IF10E	MDCKS	MD2E	MD1E	MD0E	OSR	ABF5	ABF4	ABF3	ABF2	ABF1	ABF0		
ADCC	0:18																	
MSTC	0:19																	
PO0	1:0																	
PO1	1:1																	
PI0	1:2																	
PI1	1:3																	
EIF0	1:4																	
EIE0	1:5																	
EIF1	1:6																	
EIE1	1:7																	
PD0	1:8																	
PD1	1:9																	
EIES0	1:10																	
EIES1	1:11																	
SVM	1:12																	
FCNTL	1:13																	
FDATA	1:14																	
PWCN	1:15																	
BB0	1:16																	
BB1	1:17																	
BB2	1:18																	
BB3	1:19																	
BB4	1:20																	
BB5	1:21																	
BB6	1:22																	
BB7	1:23																	
RTRM	1:24																	
RCNT	1:25	WE	X32D	32KRDY	32KBYP	32KMD	FT	SQE	ALSF	ALDF	RDYE	RDY	BUSY	ASE	ADE	RTCE		
RTSS	1:26																	
RTSH	1:27																	
RTSL	1:28																	
RSSA	1:29																	
RASH	1:30																	
RASL	1:31																	
T2CNA	2:0																	
T2H	2:1																	

Low-Power, Dual-Core Microcontroller

Table 1. UserCore Peripheral Registers (continued)

REGISTER	MOD: REG	BIT																							
		15	14	13	12	11	10	9	8	7	6	5	4	3	2	1	0								
T2RH	2:2																Timer 2 MSB Reload Value								
T2CH	2:3																Timer 2 MSB Capture/Compare Value								
PO2	2:4																Port 2 Output Register								
PI2	2:5																Port 2 Input Register								
SCON0	2:6																SM0/ FE	SM1	SM2	REN	TB8	RB8	TI	RI	
SBUF0	2:7																Serial Data Buffer 0								
SMD0	2:8																EPWM	OFS					ESI	SMOD	FEDE
PRO	2:9																Phase Register 0								
PD2	2:10																Port 2 Direction Register								
T2CNB	2:11																ET2L	T2OE1	T2POL1			TF2	TF2L	TCC2	T2CL
T2V	2:12																Timer 2 Value Register								
T2R	2:13																Timer 2 Reload Register								
T2C	2:14																Timer 2 Capture/Compare Register								
T2CFG	2:15																T2CI	T2DIV		T2MD	CCF		C/T2		
MCNT	3:0																OF	MCW	CLD	SQU	OPCS	MSUB	MMAC	SUS	
MA	3:1																Multiplier Operand "A" Register								
MB	3:2																Multiplier Operand "B" Register								
MC2	3:3																Multiplier Accumulator Register 2 (MSB, bits 47-32)								
MC1	3:4																Multiplier Accumulator Register 1 (bits 31-16)								
MC0	3:5																Multiplier Accumulator Register 0 (LSB, bits 15-0)								
SPIB	3:7																SPI Data Buffer								
MC1R	3:8																Multiplier Read Register 1 (MSB, bits 31-16)								
MC0R	3:9																Multiplier Read Register 0 (LSB, bits 15-0)								
SPICN	3:13																STBY	SPIC	ROVR	WCOL	MODF	MODFE	MSTM	SPIEN	
SPICF	3:14																ESPII					CHR	CKPHA	CKPOL	
SPICK	3:15																SPI Clock Register								
I2CBUF	4:0																I2C Data Buffer Register								
I2CST	4:1	I2CBUS	I2CBUSY				I2CSPI	I2CSCL	I2CROI	I2CGCI	I2CNACKI	I2CALI	I2CAMI	I2CTOI	I2CSTRI	I2CRXI	I2CTXI	I2CSRI							
I2CIE	4:2						I2CSPIE		I2CROIE	I2CGCIE	I2CNACKIE	I2CALIE	I2CAME	I2CTOIE	I2CSTRIE	I2CRXIE	I2CTXIE	I2CSRIE							
TB0R	4:4																Timer B Capture/Reload Value								
TB0C	4:5																Timer B Compare Value								
SCON1	4:6																SM0/ FE	SM1	SM2	REN	TB8	RB8	TI	RI	
SBUF1	4:7																Serial Data Buffer 1								
SMD1	4:8																						ESI	SMOD	FEDE
PR1	4:9																Phase Register 1								
TB0CN	4:10	C/TB				TBCS	TBCR			TBPS		TFB	EXFB	TBOE	DCEN	EXENB	TRB	ETB					CP/ RLB		
TB0V	4:11																Timer B Value Register								
I2CCN	4:12	I2CRST							I2CSTREN	I2CGCEN	I2CSTOP	I2CSTART	I2CACK	I2CSTRS			I2CMODE	I2CMST	I2CEN						
I2CCK	4:13																I2C Clock High Period				I2C Clock Low Period				
I2CTO	4:14																I2C Timeout Period								
I2CSLA	4:15																I2C Slave Address								

Low-Power, Dual-Core Microcontroller

MAXQ3108

Table 2. UserCore Peripheral Register Default Values

REGISTER	MOD: REG	BIT															
		15	14	13	12	11	10	9	8	7	6	5	4	3	2	1	0
AD0	0:0	0xFFFF															
AD1	0:1	0xFFFF															
AD2	0:2	0xFFFF															
AD3	0:3	0xFFFF															
AD4	0:4	0xFFFF															
AD5	0:5	0xFFFF															
SRSP0	0:6										0	0				0x0	
SRSP1	0:7	0x0000															
AD0LSB	0:8															0xFF	
AD1LSB	0:9															0xFF	
AD2LSB	0:10															0xFF	
AD3LSB	0:11															0xFF	
AD4LSB	0:12															0xFF	
AD5LSB	0:13															0xFF	
MREQ0	0:14											0	0			0x0	
MREQ1	0:15	0x0000															
MREQ2	0:16	0x0000															
ADCN	0:17	0	0	0	0	0	0	0	0	0	0x0	0	0	0	0	0	
ADCC	0:18	0x0000															
MSTC	0:19												0x3		0	0	
PO0	1:0															0xFF	
PO1	1:1															0x7F	
PI0	1:2															0xFF	
PI1	1:3															0xFF	
EIF0	1:4															0x00	
EIE0	1:5															0x00	
EIF1	1:6															0x0	
EIE1	1:7															0x0	
PD0	1:8															0x00	
PD1	1:9															0x00	
EIES0	1:10															0x00	
EIES1	1:11															0x0	
SVM	1:12														0	0	
FCNTL	1:13															0x0	
FDATA	1:14	0x0000															
PWCN	1:15							0				0	0	0		0	
BB0	1:16	0xFFFF															
BB1	1:17	0xFFFF															
BB2	1:18	0xFFFF															
BB3	1:19	0xFFFF															
BB4	1:20	0xFFFF															
BB5	1:21	0xFFFF															
BB6	1:22	0xFFFF															
BB7	1:23	0xFFFF															
RTRM	1:24															X	

Low-Power, Dual-Core Microcontroller

Table 2. UserCore Peripheral Register Default Values (continued)

REGISTER	MOD: REG	BIT																
		15	14	13	12	11	10	9	8	7	6	5	4	3	2	1	0	
RCNT	1:25	0	X	X	X	0xX			0	0	0	0	0	0	1	0	0	X
RTSS	1:26	0xXX																
RTSH	1:27	0xXXXX																
RTSL	1:28	0xXXXX																
RSSA	1:29	0xXXXX																
RASH	1:30	0xX																
RASL	1:31	0xXXXX																
T2CNA	2:0	0																
T2H	2:1	0x00																
T2RH	2:2	0x00																
T2CH	2:3	0x00																
PO2	2:4	1Fh																
PI2	2:5	0xXX																
SCON0	2:6	0																
SBUF0	2:7	0x00																
SMD0	2:8	0																
PR0	2:9	0x0000																
PD2	2:10	0x00																
T2CNB	2:11	0																
T2V	2:12	0x0000																
T2R	2:13	0x0000																
T2C	2:14	0x0000																
T2CFG	2:15	0																
MCNT	3:0	0																
MA	3:1	0x0000																
MB	3:2	0x0000																
MC2	3:3	0x0000																
MC1	3:4	0x0000																
MC0	3:5	0x0000																
SPIB	3:7	0x0000																
MC1R	3:8	0x0000																
MC0R	3:9	0x0000																
SPICN	3:13	0																
SPICF	3:14	0																
SPICK	3:15	0x00																
I2CBUF	4:0	0x0000																
I2CST	4:1	0	0	0			0	0	0	0	0	0	0	0	0	0	0	
I2CIE	4:2	0																
TB0R	4:4	0x0000																
TB0C	4:5	0x0000																
SCON1	4:6	0																
SBUF1	4:7	0x0000																
SMD1	4:8	0																
PR1	4:9	0x0000																
TB0CN	4:10	0	0			0	0x0			0	0	0	0	0	0	0	0	

Low-Power, Dual-Core Microcontroller

MAXQ3108

Table 2. UserCore Peripheral Register Default Values (continued)

REGISTER	MOD: REG	BIT															
		15	14	13	12	11	10	9	8	7	6	5	4	3	2	1	0
TBOV	4:11	0x0000															
I2CCN	4:12	0						0	0	0	0	0		0	0	0	
I2CCK	4:13	0x02								0x04							
I2CTO	4:14									0x00							
I2CSLA	4:15	0x000															

Peripheral Registers—DSPCore

The MAXQ3108 DSPCore exposes its peripheral complement in modules numbered 0 and 1. Table 3

describes the functions associated with the peripheral registers, and Table 4 shows the default values of these registers.

Table 3. DSPCore Peripheral Registers

REGISTER	MOD: REG	BIT															
		15	14	13	12	11	10	9	8	7	6	5	4	3	2	1	0
AD0	0:0	ADC0 Output Register															
AD1	0:1	ADC1 Output Register															
AD2	0:2	ADC2 Output Register															
AD3	0:3	ADC3 Output Register															
AD4	0:4	ADC4 Output Register															
AD5	0:5	ADC5 Output Register															
SRSP0	0:6											RSPSDV	REQE	RSPST			
SRSP1	0:7	Slave Response Register 1															
AD0LSB	0:8											ADC0 Output Register LSB					
AD1LSB	0:9											ADC1 Output Register LSB					
AD2LSB	0:10											ADC2 Output Register LSB					
AD3LSB	0:11											ADC3 Output Register LSB					
AD4LSB	0:12											ADC4 Output Register LSB					
AD5LSB	0:13											ADC5 Output Register LSB					
MREQ0	0:14											REQCDV	RSPIE	REQCM			
MREQ1	0:15	Master Request Register 1															
MREQ2	0:16	Master Request Register 2															
ADCN	0:17	IFCSEL	IF45E	IF23E	IF10E	MDCKS	MD2E	MD1E	MD0E	OSRI		ABF5	ABF4	ABF3	ABF2	ABF1	ABF0
ADCC	0:18	ADC Clock Correction Register															
MSTC	0:19											CCSL			MD2SNC	MD1SNC	MD0SNC
MCNT	1:0									OF	MCW	CLD	SQU	OPCS	MSUB	MMAC	SUS
MA	1:1	Multiplier Operand "A" Register															
MB	1:2	Multiplier Operand "B" Register															
MC2	1:3	Multiplier Accumulator Register 2 (MSB, bits 47-32)															
MC1	1:4	Multiplier Accumulator Register 1 (bits 31-16)															
MCO	1:5	Multiplier Accumulator Register 0 (LSB, bits 15-0)															

Low-Power, Dual-Core Microcontroller

Table 3. DSPCore Peripheral Registers (continued)

REGISTER	MOD: REG	BIT															
		15	14	13	12	11	10	9	8	7	6	5	4	3	2	1	0
PO2	1:7	Port 2 Output Register															
MC1R	1:8	Multiplier Read Register 1 (MSB, bits 31-16)															
MC0R	1:9	Multiplier Read Register 0 (LSB, bits 15-0)															
CF1D	1:12	CF1 Delay Register															
CF2D	1:13	CF2 Delay Register															

Table 4. DSPCore Peripheral Register Default Values

REGISTER	MOD: REG	BIT															
		15	14	13	12	11	10	9	8	7	6	5	4	3	2	1	0
AD0	0:0	0xFFFF															
AD1	0:1	0xFFFF															
AD2	0:2	0xFFFF															
AD3	0:3	0xFFFF															
AD4	0:4	0xFFFF															
AD5	0:5	0xFFFF															
SRSP0	0:6										0	0				0x0	
SRSP1	0:7	0x0000															
AD0LSB	0:8															0xFF	
AD1LSB	0:9															0xFF	
AD2LSB	0:10															0xFF	
AD3LSB	0:11															0xFF	
AD4LSB	0:12															0xFF	
AD5LSB	0:13															0xFF	
MREQ0	0:14										0	0				0x0	
MREQ1	0:15	0x0000															
MREQ2	0:16	0x0000															
ADCN	0:17	0	0	0	0	0	0	0	0	0	0x0	0	0	0	0	0	
ADCC	0:18	0x0000															
MSTC	0:19												0x3		0	0	
MCNT	1:0									0	0	0	0	0	0	0	
MA	1:1	0x0000															
MB	1:2	0x0000															
MC2	1:3	0x0000															
MC1	1:4	0x0000															
MC0	1:5	0x0000															
PO2	1:7	0x0000															
MC1R	1:8	0x0000															
MC0R	1:9	0x0000															
CF1D	1:12	0x0000															
CF2D	1:13	0x0000															

Low-Power, Dual-Core Microcontroller

Special Function Register Bit Descriptions

MAXQ3108

REGISTER	DESCRIPTION
AD0 (00h, 00h) <i>Initialization:</i> <i>Read/Write Access:</i>	Analog-to-Digital Converter 0 Output Register This register is reset to 0xFFFF on all forms of reset. Unrestricted read access.
<i>AD0.[15:0]:</i>	Analog-to-Digital Converter 0 Output Register. This register contains the most significant 16 bits of the current ADC0 data sample that was acquired from the respective sinc3 filter. Reading from the ADC0 register(s) results in the ABF0 flag being cleared by hardware (when set), unless the read operation is performed simultaneously with a write. Reading a disabled ADC returns the data last acquired if the associated buffer full flag is set and returns FFFFh if the flag is clear.
AD1 (01h, 00h)	Analog-to-Digital Converter 1 Output Register
AD2 (02h, 00h)	Analog-to-Digital Converter 2 Output Register
AD3 (03h, 00h)	Analog-to-Digital Converter 3 Output Register
AD4 (04h, 00h)	Analog-to-Digital Converter 4 Output Register
AD5 (05h, 00h)	Analog-to-Digital Converter 5 Output Register

SRSP0 (06h, 00h) <i>Initialization:</i> <i>Read/Write Access:</i>	Slave Response Register 0 This register is reset to 00h on all forms of reset. Unrestricted read access only to the UserCore (except RSPSDV; see the bit description). Unrestricted read/write access to the DSPCore (except RSPSDV and RSPST[3:0]; see the bit descriptions).
<i>SRSP0.[3:0]: RSPST[3:0]</i>	Response Status Bits 3:0. These bits can be used to report acknowledgement and status of the current command being processed by the slave and to report slave system conditions (e.g., watchdog timeout) that are not related to a master command. To notify the master that status is ready to be read, the RSP0DV bit should be set to 1 either by software (in the case of command status) or, in some cases, by hardware (as for the watchdog). In cases where slave hardware sets the status bits, these bits are not writable by slave software until the status condition has been cleared. When the DSPCore watchdog timer reaches FFFFh, a system interrupt from the DSPCore is signaled by the setting of the SRSP0.5 status flag along with the SRSP0.[3:0] status code of 0000b. This hardware condition for the SRSP0 register persists (preventing software writes of these bits by the DSPCore) until a reset of the DSPCore is executed (UserCore may disable the DSPCore through ENDSP = 0 to force the reset).
<i>SRSP0.4: REQE</i>	Request Registers Interrupt Enable. Setting this bit to 1 enables an interrupt for the master request-command data valid (interrupt) flag (REQCDV). The master request-command data valid flag is reported in MREQ0.5 (and the associated command code is contained in MREQ0.[3:0]). Clearing this bit to 0 disables the interrupt associated with the master request-command data valid flag.
<i>SRSP0.5: RSPSDV</i>	Response Status Data Valid Flag. This flag can only be set by the slave (DSPCore) or slave hardware once a valid status or system interrupt condition is supplied in the RSPST[3:0] field of the SRSP0 register to notify the master that valid status is ready for reading. Status information or data could also be contained in SRSP1, so the slave should only set this flag when all data has been loaded (included any that is loaded to SRSP1). This flag can only be cleared by the master (UserCore) software unless the status condition that caused hardware to set the flag persists (e.g., slave watchdog counter timeout). If made available by the slaveCPU, more information can be ascertained about the status by additional master request read commands.
<i>SRSP0.[7:6]: Reserved</i>	Reserved. Reads return 0.

Low-Power, Dual-Core Microcontroller

Special Function Register Bit Descriptions (continued)

SRSP1 (07h, 00h) <i>Initialization:</i> <i>Read/Write Access:</i>	Slave Response Register 1 This register is reset to 0000h on all forms of reset. Unrestricted read access only to the UserCore. Unrestricted read/write access to the DSPCore.
<i>SRSP1.[15:0]:</i>	Slave Response Register 1 Bits 15:0. These bits are used to supply output data to the master. To notify the master that data is ready to be read, the RSPCDV bit should be set to 1 by software. The slave should not write further data to SRSP1 until the valid condition (RSPSDV = 1) is cleared by the master software.

AD0LSB (08h, 00h) <i>Initialization:</i> <i>Read/Write Access:</i>	Analog-to-Digital Converter 0 Least Significant Byte Output Register This register is reset to FFh on all forms of reset. Unrestricted read access.															
<i>AD0LSB.[7:0]:</i>	<p>Analog-to-Digital Converter 0 Least Significant Byte Output Register. This register always provides read access to the least significant byte of the most current ADC0 data sample acquired from the respective sinc3 filter. See the below table for the least significant byte available OSR options.</p> <p>Reading from the AD0 register results in the ABF0 flag being cleared by hardware (when set) unless the read operation is performed simultaneously with a write. What this means is that when OSR > 32, AD0LSB should be read first if the clearing of ABF0 is intended to indicate that the full result (AD0LSB and AD0) was read. Reading a disabled ADC returns the data last acquired if the associated buffer full flag is set and returns FFFFh if the flag is clear.</p> <table border="1"> <thead> <tr> <th>OSR</th> <th>ADC DATA OUTPUT WIDTH</th> <th>AD0LSB FORMAT</th> </tr> </thead> <tbody> <tr> <td>32</td> <td>16</td> <td>0000000b</td> </tr> <tr> <td>64</td> <td>19</td> <td>d2–d0, 00000b</td> </tr> <tr> <td>128</td> <td>22</td> <td>d5–d0, 00b</td> </tr> <tr> <td>256</td> <td>24</td> <td>d7–d0</td> </tr> </tbody> </table>	OSR	ADC DATA OUTPUT WIDTH	AD0LSB FORMAT	32	16	0000000b	64	19	d2–d0, 00000b	128	22	d5–d0, 00b	256	24	d7–d0
OSR	ADC DATA OUTPUT WIDTH	AD0LSB FORMAT														
32	16	0000000b														
64	19	d2–d0, 00000b														
128	22	d5–d0, 00b														
256	24	d7–d0														
AD1LSB (09h, 00h)	Analog-to-Digital Converter 1 Least Significant Byte Output Register															
AD2LSB (0Ah, 00h)	Analog-to-Digital Converter 2 Least Significant Byte Output Register															
AD3LSB (0Bh, 00h)	Analog-to-Digital Converter 3 Least Significant Byte Output Register															
AD4LSB (0Ch, 00h)	Analog-to-Digital Converter 4 Least Significant Byte Output Register															
AD5LSB (0Dh, 00h)	Analog-to-Digital Converter 5 Least Significant Byte Output Register															

MREQ0 (0Eh, 00h) <i>Initialization:</i> <i>Read/Write Access:</i>	Master Request Register 0 This register is reset to 00h on all forms of reset. Unrestricted read/write access to the UserCore (except REQCDV; see the bit description). Unrestricted read access only to the DSPCore (except REQCDV; see the bit description).
<i>MREQ0.[3:0]: REQCM[3:0]</i>	Request Command Bits 3:0. These bits are written by the master to supply a command request to the slave. To notify the slave that a command is ready to be read, the REQODV bit should be set to 1.
<i>MREQ0.4: RSPIE</i>	Response Registers Interrupt Enable. Setting this bit to 1 enables an interrupt for the slave response status data valid flag (which is associated with Response Registers 0 and 1). The status data valid (interrupt) flag is reported in SRSP0.5. Clearing this bit to 0 disables the interrupt associated with the response status data valid flag.
<i>MREQ0.5: REQCDV</i>	Request Command Data Valid Flag. This flag can only be set by the master (UserCore). This flag should be set once a valid command is supplied in the REQCM[3:0] field of the MREQ0 and/or data supplied in the MREQ1, MREQ2 registers to notify the slave that these registers are ready for reading. This flag can only be cleared by slave (DSPCore) software.
<i>MREQ0.[7:6]: Reserved</i>	Reserved. Reads return 0.

Low-Power, Dual-Core Microcontroller

Special Function Register Bit Descriptions (continued)

MAXQ3108

MREQ1 (0Fh, 00h) <i>Initialization:</i> <i>Read/Write Access:</i>	Master Request Register 1 This register is reset to 0000h on all forms of reset. Unrestricted read/write access only to the UserCore. Unrestricted read access only to the DSPCore.
<i>MREQ1.[15:0]:</i>	Master Request Register 1 Bits 15:0. These bits are used to supply follow-on address and data information for commands issued by the master. To notify the slave that data is ready to be read, the REQCDV bit should be set to 1. The master should poll the REQCDV bit to know when the slave has read MREQ1 and when it is safe to write further data to MREQ1.

MREQ2 (10h, 00h) <i>Initialization:</i> <i>Read/Write Access:</i>	Master Request Register 2 This register is reset to 0000h on all forms of reset. Unrestricted read/write access only to the UserCore. Unrestricted read access only to the DSPCore.
<i>MREQ2.[15:0]:</i>	Master Request Register 2 Bits 15:0. These bits are used to supply follow-on address and data information for commands issued by the master. To notify the slave that data is ready to be read, the REQCDV bit should be set to 1. The master should poll the REQCDV bit to know when the slave has read MREQ2 and when it is safe to write further data to MREQ2.

ADCN (11h, 00h) <i>Initialization:</i> <i>Read/Write Access:</i>	Analog-to-Digital Converter Control Register This register is cleared to 0000h on all forms of reset. UserCore: Unrestricted read/write access except bits 0:5 are read only and 6:7 have hardware restricted write access. DSPCore: Read-only.
<i>ADCN.0: ABF0</i>	ADC0 Buffer Full Flag. This bit is set by hardware to indicate that a sample is available from ADC0. An interrupt request is generated to a CPU if IF01E = 1 and interrupts are not otherwise masked globally or modularly. This bit is cleared by hardware by a CPU read (either the UserCore or the DSPCore) of the AD0 output register. The ABF0 and ABF1 flags are set in the same clock cycle.
<i>ADCN.1: ABF1</i>	ADC1 Buffer Full Flag. This bit is set by hardware to indicate that a sample is available from ADC1. An interrupt request is generated to a CPU if IF01E = 1 and interrupts are not otherwise masked globally or modularly. This bit is cleared by hardware by a CPU read (either the UserCore or the DSPCore) of the AD1 output register. The ABF0 and ABF1 flags are set in the same clock cycle.
<i>ADCN.2: ABF2</i>	ADC2 Buffer Full Flag. This bit is set by hardware to indicate that a sample is available from ADC2. An interrupt request is generated to a CPU if IF23E = 1 and interrupts are not otherwise masked globally or modularly. This bit is cleared by hardware by a CPU read (either the UserCore or the DSPCore) of the AD2 output register. The ABF2 and ABF3 flags are set in the same clock cycle.
<i>ADCN.3: ABF3</i>	ADC3 Buffer Full Flag. This bit is set by hardware to indicate that a sample is available from ADC3. An interrupt request is generated to a CPU if IF23E = 1 and interrupts are not otherwise masked globally or modularly. This bit is cleared by hardware by a CPU read (either the UserCore or the DSPCore) of the AD3 output register. The ABF2 and ABF3 flags are set in the same clock cycle.
<i>ADCN.4: ABF4</i>	ADC4 Buffer Full Flag. This bit is set by hardware to indicate that a sample is available from ADC4. An interrupt request is generated to a CPU if IF45E = 1 and interrupts are not otherwise masked globally or modularly. This bit is cleared by hardware by a CPU read (either the UserCore or the DSPCore) of the AD4 output register. The ABF4 and ABF5 flags are set in the same clock cycle.

Low-Power, Dual-Core Microcontroller

Special Function Register Bit Descriptions (continued)

ADCN.5: ABF5	ADC5 Buffer Full Flag. This bit is set by hardware to indicate that a sample is available from ADC5. An interrupt request is generated to a CPU if IF45E = 1 and interrupts are not otherwise masked globally or modularly. This bit is cleared by hardware by a CPU read (either the UserCore or the DSPCore) of the AD5 output register. The ABF4 and ABF5 flags are set in the same clock cycle.	
ADCN.[7:6]: OSR[1:0]	Oversampling Rate Bits 1:0. These register bits control the oversampling rate applied by all of the cubic sinc digital filters (as given in the table below). These bits are writable only when all Manchester decoders are disabled.	
	OSR[1:0]	OVERSAMPLING RATE
	00b	32
	01b	64
	10b	128
ADCN.8: MD0E	Manchester Decoder 0 Enable. This bit controls whether Manchester decoder 0 and the two associated cubic sinc filters are enabled or disabled. When MD0E is configured to logic 1, Manchester decoder 0 and the associated cubic sinc filters are enabled. This is a special case where enabling the special function input (Manchester decoder input) forces a specific input mode (single-ended or differential) based upon the PO bit for the port pin corresponding to the Manchester decoder positive input (e.g., PO2.4 controls the single-ended or differential configuration for Manchester decoder 0 when MD0E = 1). When the PO bit = 0, single-ended mode is in effect. When PO bit = 1, differential mode is in effect. When MD0E is configured to logic 0, these hardware blocks are disabled. This bit is write accessible only to the UserCore.	
ADCN.9: MD1E	Manchester Decoder 1 Enable. This bit controls whether Manchester decoder 1 and the two associated cubic sinc filters are enabled or disabled. When MD1E is configured to logic 1, Manchester decoder 1 and the associated cubic sinc filters are enabled. This is a special case where enabling the special function input (Manchester decoder input) forces a specific input mode (single-ended or differential) based upon the PO bit for the port pin corresponding to the Manchester decoder positive input (e.g., PO0.3 controls the single-ended or differential configuration for Manchester decoder 1 when MD1E = 1). When the PO bit = 0, single-ended mode is in effect. When PO bit = 1, differential mode is in effect. When MD1E is configured to logic 0, these hardware blocks are disabled. This bit is write accessible only to the UserCore.	
ADCN.10: MD2E	Manchester Decoder 2 Enable. This bit controls whether Manchester decoder 2 and the two associated cubic sinc filters are enabled or disabled. When MD2E is configured to logic 1, Manchester decoder 2 and the associated cubic sinc filters are enabled. This is a special case where enabling the special function input (Manchester decoder input) forces a specific input mode (single-ended or differential) based upon the PO bit for the port pin corresponding to the Manchester decoder positive input (e.g., PO2.0 controls the single-ended or differential configuration for Manchester decoder 2 when MD2E = 1). When the PO bit = 0, single-ended mode is in effect. When PO bit = 1, differential mode is in effect. When MD2E is configured to logic 0, these hardware blocks are disabled. This bit is write accessible only to the UserCore.	
ADCN.11: MDCKS	Manchester Decoders Clock Speed Select. This bit must be configured to tell the Manchester decoders whether a fast or slow bit-stream sampling clock is used. When configured to 0, the decoders expect that the sampling clock is faster than the clock source being used by the AD02 modulator(s). When configured to 1, the decoders expect that the sampling clock is slower than being used by the AD02.	
ADCN.12: IF10E	ADC Interrupt Flags 1 and 0 Enable. This bit serves as the local interrupt enable for the ADC cubic sinc filter output buffers 1 and 0.	

Low-Power, Dual-Core Microcontroller

Special Function Register Bit Descriptions (continued)

MAXQ3108

ADCN.13: IF32E	ADC Interrupt Flags 3 and 2 Enable. This bit serves as the local interrupt enable for the ADC cubic sinc filter output buffers 3 and 2.
ADCN.14: IF54E	ADC Interrupt Flags 5 and 4 Enable. This bit serves as the local interrupt enable for the ADC cubic sinc filter output buffers 5 and 4.
ADCN.15: IFCSEL	ADC Interrupt Flag Core Select. This bit controls the routing and the ability to clear the ADC interrupt flags. When this bit is configured to 0, the ADC interrupt capability and the ability to clear the associated flags belongs to the UserCore. When this bit is configured to 1, only the DSPCore can be interrupted and has the ability to clear the interrupt flags. This bit is write accessible only to the UserCore.

ADCC (12h, 00h) <i>Initialization:</i> <i>Read/Write Access:</i>	Analog-to-Digital Clock Correction Register This register is reset to 0000h. Unrestricted read access.
ADCC.[15:0]:	ADC Clock Correction Value 15:0. This value reflects the count (measurement) of decoder sync bits during the predefined duration of 32kHz x 2 ⁹ clocks for the decoder selected by CCSL[1:0]. The clock correction facility is enabled on any write to the CCSL[1:0] bits (other than the 11b disable request). The ADCC register reads 0000h to indicate a busy (measuring) condition until the measurement completes, at which point, the ADCC register is updated.

MSTC (13h, 00h) <i>Initialization:</i> <i>Read/Write Access:</i>	Manchester Decoder Status Register This register is reset to 30h. Unrestricted read access. Unrestricted write access to bits 5:4 (see description).
MSTC.0: MD0SNC	Manchester Decoder 0 Synchronization Status Bit. This bit reflects the synchronization status of Manchester decoder 0. When the decoder has achieved synchronization, this bit is set to 1. When the decoder cannot or has not yet detected the required alternating synchronization bit in the Manchester bit stream, this bit is cleared to 0. Once synchronized, loss of synchronization is signaled (i.e., bit is cleared) once three sync bit errors are detected in 10 frames. If fewer than three errors are detected in 10 frames, the synchronization bit error counter restarts on the next sync bit error.
MSTC.1: MD1SNC	Manchester Decoder 1 Synchronization Status Bit. This bit reflects the synchronization status of Manchester decoder 1. When the decoder has achieved synchronization, this bit is set to 1. When the decoder cannot or has not yet detected the required alternating synchronization bit in the Manchester bit stream, this bit is cleared to 0. Once synchronized, loss of synchronization is signaled (i.e., bit is cleared) once three sync bit errors are detected in 10 frames. If fewer than three errors are detected in 10 frames, the synchronization bit error counter restarts on the next sync bit error.
MSTC.2: MD2SNC	Manchester Decoder 2 Synchronization Status Bit. This bit reflects the synchronization status of Manchester decoder 2. When the decoder has achieved synchronization, this bit is set to 1. When the decoder cannot or has not yet detected the required alternating synchronization bit in the Manchester bit stream, this bit is cleared to 0.
MSTC.3: Reserved	Reserved. Reads return 0.

Low-Power, Dual-Core Microcontroller

Special Function Register Bit Descriptions (continued)

MSTC.[5:4]: CCSL[1:0]	<p>Clock Correction Hardware Selection Bits 1:0. These bits are used to enable and assign the clock measurement hardware to one of the three Manchester decoders. When these bits are 11b, the clock measurement utility is disabled. Writing these bits to any other state enables one clock measurement interval. When the clock measurement interval is enabled, the ADCC output register is cleared to 0000h to indicate a busy (measuring) condition. No hardware protection is in place to prevent attempts to measure a disabled decoder, which would result in seeing a persistent busy (ADCC = 0000h) condition. The table below summarizes the measurement options.</p> <p>Separate physical implementations of these two control bits exist for the UserCore and the DSPCore. The ENDSP bit controls which bits are used to control the clock correction measurement hardware. When ENDSP = 0, the UserCore CCSL[1:0] bits control the hardware. When ENDSP = 1, the DSPCore CCSL[1:0] bits control the hardware. The bits not being used by the hardware are still write accessible but have no effect on the hardware. Once a clock measurement is requested, a second request should not be issued from the other core. There is no need for hardware protection against this possibility; the ADCC register can be polled to ascertain the busy status.</p>	
	CCSL[1:0]	CLOCK MEASUREMENT (SYNC BIT FREQUENCY)
	00b	Decoder 0
	01b	Decoder 1
	10b	Decoder 2
11b	Disabled	
MSTC.[7:6]: Reserved	Reserved. Reads return 0.	
<p>PO0 (00h, 01h) <i>Initialization:</i> <i>Read/Write Access:</i></p>	<p>Port 0 Output Register (8-Bit Register) This register is set to 0FFh on all forms of reset. Unrestricted read/write.</p>	
PO0.[7:0]:	<p>Port 0 Output Register Bits 7:0. The PO0 register stores output data for port 0 when it is defined as an output port and controls whether the internal weak p-channel pullup transistor is enabled/disabled if a port pin is defined as an input. The contents of this register can be modified by a write access. Reading from the register returns the contents of the register. Changing the direction of port 0 does not change the data contents of the register.</p>	
<p>PO1 (01h, 01h) <i>Initialization:</i> <i>Read/Write Access:</i></p>	<p>Port 1 Output Register (8-Bit Register) This register is set to 07Fh on all forms of reset. Unrestricted read/write.</p>	
PO1.[6:0]:	<p>Port 1 Output Register Bits 6:0. The PO1 register stores output data for port 1 when it is defined as an output port and controls whether the internal weak p-channel pullup transistor is enabled/disabled if a port pin is defined as an input. The contents of this register can be modified by a write access. Reading from the register returns the contents of the register. Changing the direction of port 1 does not change the data contents of the register.</p> <p>Special note about P1.6: The \overline{RST} input function remains enabled on P1.6 unless it is explicitly disabled (RSTD = 1). This means that the ports control bits (PD, PO) can be used to generate a reset (e.g., by driving the pin low).</p>	
PO1.7: Reserved	Reserved. Reads return 0.	

Low-Power, Dual-Core Microcontroller

Special Function Register Bit Descriptions (continued)

MAXQ3108

PI0 (02h, 01h) <i>Initialization:</i> <i>Read/Write Access:</i>	Port 0 Input Register The reset value for this register is dependent on the logical states of the pins. Unrestricted read-only.
<i>PI0.[7:0]:</i>	Port 0 Input Register Bits 7:0. The PI0 register always reflects the logic state of its pins when read. Note that each port pin has a weak pullup circuit when functioning as an input and the p-channel pullup transistor is controlled by its respective PO bits. If the PO bit is set to 1, the weak pullup is on, if the PO bit is cleared to 0, the weak pullup is off and forces the port pin into three-state.
PI1 (03h, 01h) <i>Initialization:</i> <i>Read/Write Access:</i>	Port 1 Input Register The reset value for this register is 0sssssssb, where “s” depends on the logical state of the pin. Unrestricted read.
<i>PI1.[6:0]:</i>	Port 1 Input Register Bits 6:0. The PI1 register always reflects the logic state of its pins when read. Note that each port pin has a weak pullup circuit when functioning as an input and the p-channel pullup transistor is controlled by its respective PO bits. If the PO bit is set to 1, the weak pullup is on, if the PO bit is cleared to 0, the weak pullup is off and forces the port pin into three-state.
<i>PI1.7: Reserved</i>	Reserved. Read returns 0.
EIF0 (04h, 01h) <i>Initialization:</i> <i>Read/Write Access:</i>	External Interrupt Flag 0 Register EIF0 is cleared to 00h on all forms of reset. Unrestricted read/write.
<i>EIF0.[7:0]: IE[7:0]</i>	Interrupt Edge Detect Bits 7:0. These bits are set when a negative edge (ITx = 1) or a positive edge (ITx = 0) is detected on the interrupt x pin. Setting any of the bits to 1 generates an interrupt to the CPU if the corresponding interrupt is enabled. This bit remains set until cleared by software or a reset. It must be cleared by software before exiting the interrupt source routine or another interrupt is generated as long as the bit remains set.
EIE0 (05h, 01h) <i>Initialization:</i> <i>Read/Write Access:</i>	External Interrupt Enable 0 Register EIE0 is cleared to 00h on all forms of reset. Unrestricted read/write.
<i>EIE0.[7:0]: EX[7:0]</i>	Enable External Interrupt Bits 7:0. Setting any of these bits to 1 enables the corresponding external interrupt. Clearing any of the bits to 0 disables the corresponding interrupt function.
EIF1 (06h, 01h) <i>Initialization:</i> <i>Read/Write Access:</i>	External Interrupt Flag 1 Register EIF1 is cleared to 00h on all forms of reset. Unrestricted read/write.
<i>EIF1.[3:0]: IE[11:8]</i>	Interrupt Edge Detect Bits 11:8. These bits are set when a negative edge (ITx = 1) or a positive edge (ITx = 0) is detected on the interrupt x pin. Setting any of the bits to 1 generates an interrupt to the CPU if the corresponding interrupt is enabled. This bit remains set until cleared by software or a reset. It must be cleared by software before exiting the interrupt source routine or another interrupt is generated as long as the bit remains set.
<i>EIF1.[7:4]: Reserved</i>	Reserved. Reads return 0.

Low-Power, Dual-Core Microcontroller

Special Function Register Bit Descriptions (continued)

EIE1 (07h, 01h) <i>Initialization:</i> <i>Read/Write Access:</i>	External Interrupt Enable 1 Register EIE1 is cleared to 00h on all forms of reset. Unrestricted read/write.
<i>EIE1.[3:0]: EX[11:8]</i>	Enable External Interrupt Bits 11:8. Setting any of these bits to 1 enables the corresponding external interrupt. Clearing any of the bits to 0 disables the corresponding interrupt function.
<i>EIE1.[7:4]: Reserved</i>	Reserved. Reads return 0.
PD0 (08h, 01h) <i>Initialization:</i> <i>Read/Write Access:</i>	Port 0 Direction Register This register is cleared to 00h on all forms of reset. Unrestricted read/write.
<i>PD0.[7:0]:</i>	Port 0 Direction Register Bits 7:0. PD0 is used to determine the direction of the Port 0 function. The port pins are independently controlled by their direction bits. When a bit is set to 1, its corresponding pin is used as an output; data in the PO register is driven on the pin. When a bit is cleared to 0, its corresponding pin is used as an input, and allows an external signal to drive the pin. Note that each port pin has a weak pullup circuit when functioning as an input and the p-channel pullup transistor is controlled by its respective PO bits. If the PO bit is set to 1, the weak pullup is on; if the PO bit is cleared to 0, the weak pullup is off and forces the port pin into three-state.
PD1 (09h, 01h) <i>Initialization:</i> <i>Read/Write Access:</i>	Port 1 Direction Register This register is cleared to 00h on all forms of reset. Unrestricted read/write.
<i>PD1.[6:0]:</i>	Port 1 Direction Register Bits 6:0. PD1 is used to determine the direction of the port 1 function. The port pins are independently controlled by their direction bit. When a bit is set to 1, its corresponding pin is used as an output; data in the PO register is driven on the pin. When a bit is cleared to 0, its corresponding pin is used as an input, and allows an external signal to drive the pin. Note that each port pin has a weak pullup circuit when functioning as an input and the p-channel pullup transistor is controlled by its respective PO bits. If the PO bit is set to 1, the weak pullup is on; if the PO bit is cleared to 0, the weak pullup is off and forces the port pin into three-state. Special note about P1.6: The $\overline{\text{RST}}$ input function remains enabled on P1.6 unless it is explicitly disabled ($\text{RSTD} = 1$). This means that the ports control bits (PD, PO) can be used to generate a reset (e.g., by driving the pin low).
<i>PD1.7: Reserved</i>	Reserved. Reads return 0.
EIES0 (0Ah, 01h) <i>Initialization:</i> <i>Read/Write Access:</i>	External Interrupt Edge Select 0 Register EIES0 is cleared to 00h on all forms of reset. Unrestricted read/write.
<i>EIES0.[7:0]: IT[7:0]</i>	Edge Select for External Interrupt Bits 7:0 ITx = 0: External interrupt x is positive-edge triggered. ITx = 1: External interrupt x is negative-edge triggered.

Low-Power, Dual-Core Microcontroller

Special Function Register Bit Descriptions (continued)

MAXQ3108

EIES1 (0Bh, 01h) <i>Initialization:</i> <i>Read/Write Access:</i>	External Interrupt Edge Select 1 Register EIES1 is cleared to 00h on all forms of reset. Unrestricted read/write.
<i>EIES1.[3:0]: IT[11:8]</i>	External Interrupt Edge Select Bits 11:8 ITx = 0: External interrupt x is positive-edge triggered. ITx = 1: External interrupt x is negative-edge triggered.
<i>EIES1.[7:4]: Reserved</i>	Reserved. Reads return 0.
SVM (0Ch, 01h) <i>Initialization:</i> <i>Read/Write Access:</i>	Supply Voltage Monitor Register (16-Bit Register) This register is set to 0700h on all forms of reset. Unrestricted read/write except SVMRDY and SVMTH. The supply voltage monitor ready (SVMRDY) bit is set and cleared by hardware only. SVMTH can only be written to when the supply voltage monitor is disabled (SVMEN = 0).
<i>SVM.0: SVMEN</i>	Supply Voltage Monitor Enable. Setting this bit to 1 enables the monitoring of supply voltage according to SVMTH settings. Clearing this bit to 0 disables the supply voltage monitoring circuitry.
<i>SVM.1: SVMRDY</i>	Supply Voltage Monitor Ready. This bit is set to 1 to indicate that the supply voltage monitor is ready for use. This bit is cleared to 0 when SVMEN = 0 or on entrance to stop mode if SVMSTOP = 0.
<i>SVM.2: SVMIE</i>	Supply Voltage Monitor Interrupt Enable. Setting this bit to 1 generates an interrupt to the CPU when SVMI is set to 1. Clearing this bit to 0 disables the interrupt from generating.
<i>SVM.3: SVMI</i>	Supply Voltage Monitor Interrupt. This bit is set to 1 when the supply voltage falls below the set point defined by SVTH. Clearing this bit to 0 clears the interrupt. However, if the supply voltage is still below the set point, this flag is set again. Setting this bit to 1 causes an interrupt to the CPU when SVMIE = 1.
<i>SVM.4: SVMSTOP</i>	Supply Voltage Monitor Stop Mode Enable. Setting this bit to 1 enables the supply voltage monitor circuit to operate during stop mode if SVMEN = 1. Clearing this bit to 0 disables the supply voltage monitor when stop mode is enabled.
<i>SVM.[7:5]: Reserved</i>	Reserved. Reads return 0.
<i>SVM.[11:8]: SVTH[3:0]</i>	Supply Voltage Threshold Bits [3:0]. These bits are used to select a user-defined supply voltage threshold under which an interrupt is generated to the CPU if enabled. The level can be adjusted from 2.0V to 3.5V in a 0.1V increment. The supply voltage monitor is enabled by setting SVMEN = 1. The default value is 07h (2.7V). $\text{Supply Voltage Monitor Threshold} = 2.0\text{V} + \text{SVMTH}[3:0] \times 0.1\text{V}$ Note that the SVTH bits can only be modified when SVMEN = 0. Writing to these bits is ignored if SVMEN = 1.
<i>SVM.[15:12]: Reserved</i>	Reserved. Reads return 0.

Low-Power, Dual-Core Microcontroller

Special Function Register Bit Descriptions (continued)

FCNTL (0Dh, 01h) <i>Initialization:</i> <i>Read/Write Access:</i>	Flash Memory Control Register This register is set to 80h on POR and is unaffected by all other forms of reset. Unrestricted read, bits 2:0 are write accessible only by utility ROM or logical data memory. (This register is not accessible by program code inside the flash memory because of the rule governing the pseudo-Von Neumann mapping. Access is blocked by hardware.) Also, write access to FCNTL is prohibited when FBUSY is 0.	
<i>FCNTL.[2:0]: FC[2:0]</i>	Flash Command Bits 2:0. The below table shows the commands for flash operations provided by these bits. The MMU supports only these commands; other settings are reserved. Using any reserved command results in no operation.	
	FC[2:0]	FLASH COMMANDS
	000	Read Mode (default)
	001	Verify Information Block
	010	Write Information Block
	011	Write Main Memory Block
	100	Erase Information Block
	101	Page Erase of Main Memory Block
110	Mass Erase of Main Memory Block	
111	Load Trim Information	
<i>FCNTL.[6:3]: Reserved</i>	Reserved. Reads return 0.	
<i>FCNTL.7: FBUSY</i>	Flash Busy. This busy flag is cleared to a logic 0 to indicate the start of an erase/program operation by the MMU immediately following the command sequence. It is hold low until the end of the operation. Set/reset of this flag is synchronized with the system clock.	
FDATA (0Eh, 01h) <i>Initialization:</i> <i>Read/Write Access:</i>	Flash Memory Data Register This register is cleared to 0000h on all forms of reset. Unrestricted read, write accessible only by utility ROM or logical data memory. (This register is not accessible for program code inside the flash memory due to the rule governing the pseudo-Von Neumann mapping.) Also, write access to FCNTL is prohibited when FBUSY is 0.	
<i>FDATA.[15:0]:</i>	This register is used by the user software or the ROM loader to support the flash erase/program/verify operation. Writing to this SFR has no effect on flash operation until a valid flash command is first entered through the FC[2:0] bits of the FCNTL SFR. All flash operation must be initiated by providing a valid command in the FCNTL control register followed by writing target address and data by the FDATA SFR (when required by the command).	
PWCN (0Fh, 01h) <i>Initialization:</i> <i>Read/Write Access:</i>	Power Control Register (16-Bit Register) Implemented register bits (except for the ECLKO and ENDSP bit) are unaffected by resets other than power-on reset. The ECLKO and ENDSP bits are reset to 0 on any reset. On power-on reset, this register is reset to 0000h (except that HFXD is 1 for PCK = 11b). Unrestricted read. FLOCK is read-only.	
<i>PWCN.0: FLLEN</i>	FLL Lock Enable. Setting this bit to 1 enables the FLL if it is not already running, and causes it to lock to the 32K input. When this bit is cleared to 0, the FLL is disabled if it is not providing the system clock.	
<i>PWCN.1: FLOCK</i>	FLL Locked. This is a read-only status bit. This bit is automatically reset to 0 when FLLEN is changed from 0 to 1 and set to 1 when the FLL is locked to the 32.768kHz clock. This bit is also reset to 0 on entry to stop mode.	

Low-Power, Dual-Core Microcontroller

Special Function Register Bit Descriptions (continued)

MAXQ3108

<i>PWCN.2: ECLKO</i>	Enable Clock Output Pin. Setting this bit to 1 enables the output of the DSPCore undivided system clock on P2.2. The P2.2 pin also serves as the SPI serial clock (SCLK) special function. The SPI hardware should not be used when the CLKO output is enabled. The ECLKO bit can be used in the hybrid configuration to allow the test system clock to be routed to the DS8102 CLKIO pin.
<i>PWCN.[4:3]: Reserved</i>	Reserved. Reads return 0.
<i>PWCN.5: RSTD</i>	Reset Pin Disable. When set to a logic 1, the reset input function is disconnected from the external \overline{RST} pin. The port pin can then be used for other purposes. When cleared to a logic 0, the reset input function is connected to the external pin; however, the port directional and output controls still apply. This bit defaults to 0 on power-on reset only.
<i>PWCN.6: REGEN</i>	Regulator Enable. When set to 1, the internal regulator remains powered on when the device is placed in stop mode. When cleared to 0, the internal regulator is shut down to conserve power. The regulator is always enabled outside of stop mode, independent of the REGEN bit setting.
<i>PWCN.7: BOD</i>	Brownout-Detection Disable. This bit determines whether the brownout detection is enabled in stop mode when the regulator is off (REGEN = 0). When the regulator is enabled (as in normal operation or when REGEN = 1 in stop mode), the brownout detection is always enabled, independent of the BOD bit setting. Otherwise, when set to 1, the brownout reset detection for V_{DD} is disabled when the device is placed into stop mode. When placed into stop mode with BOD = 1 and REGEN = 0, the brownout reset comparator is shut down. When configured to 0 with REGEN = 0, the brownout-detection function is enabled for detecting the condition $V_{DD} < V_{RST}$ during stop mode.
<i>PWCN.[9:8]: Reserved</i>	Reserved. Reads return 0.
<i>PWCN.10: ENDSP</i>	Enable DSPCore. This active-high bit is cleared to 0 on any UserCore reset and when the UserCore invokes stop mode. When cleared, the DSPCore is completely disabled. This bit is read/write accessible only to the UserCore so that it controls when the slave DSPCore is allowed to operate. When this bit is written to 1, the DSPCore is removed from reset and is allowed to operate.
<i>PWCN.[15:11]: Reserved</i>	Reserved. Reads return 0.
BB0 (10h, 01h) <i>Initialization:</i> <i>Read/Write Access:</i>	Battery-Backed Register 0 (16-Bit Register) This register is battery backed through POR so long as $V_{BAT(MIN)} < V_{BAT} < V_{BAT(MAX)}$; however, it is indeterminate on the very first POR and must be configured initially by the user. This register is unaffected by other resets. Unrestricted read/write access.
<i>BB0.[15:0]:</i>	Battery-Backed Register 0 Bits 15:0. This register is intended for quick and convenient storage of critical data through V_{DD} power outages (avoiding the more time-consuming write attempts to external serial NV memory).
BB1 (11h, 01h) BB2 (12h, 01h) BB3 (13h, 01h) BB4 (14h, 01h) BB5 (15h, 01h) BB6 (16h, 01h) BB7 (17h, 01h)	See the BB0 register for description.

Low-Power, Dual-Core Microcontroller

Special Function Register Bit Descriptions (continued)

RTRM (18h, 01h) <i>Initialization:</i> <i>Read/Write Access:</i>	Real-Time Clock Trim Register (8-Bit Register) This register is battery backed through POR so long as $V_{BAT(MIN)} < V_{BAT} < V_{BAT(MAX)}$; however, it is indeterminate on the very first POR and must be configured initially by the user. This register is unaffected by other resets. Unrestricted read, write access only when the WE = 1 and BUSY = 0. An attempted write operation is not complete until hardware clears the BUSY bit.
<i>RTRM.[6:0]: TRM[6:0]</i>	RTC Trim Calibration Register Bits 6:0. These register bits provide a binary value between 00h–7Fh, which is used for adjusting 32K clocks insertion/removal. At every 10-second interval, the number of 32K clocks equal to the RTRM[6:0] numeric value is inserted/removed from the RTC counter depending on the value in the TSGN bit. The trim bits are write protected by WE. WE must be set to 1 for the bits to be updated.
<i>RTRM.7: TSGN</i>	RTC Trim Sign Bit. This register bit selects whether 32K clocks are inserted (TSGN = 0) or removed (TSGN = 1).
RCNT (19h, 01h) <i>Initialization:</i> <i>Read/Write Access:</i>	Real-Time Clock Control Register (16-Bit Register) This register is initialized to 0sssss000000100sb on all forms of reset. Bits 14–10 and bit 0 are battery backed through POR so long as $V_{BAT(MIN)} < V_{BAT} < V_{BAT(MAX)}$. These battery-backed bits are indeterminate on the very first POR and must be configured by the user, but are unaffected by other resets. Unrestricted read. Bit 0 (RTCE) is write accessible only when WE = 1 and BUSY = 0. Bits 3 (BUSY) and 13 (32KRDY) are read-only. Bit 4 can be cleared to 0 when RTCE = 1; it can never be set to 1 by software. Bit 15 is unrestricted write. All other bits are write accessible only when BUSY = 0.
<i>RCNT.0: RTCE</i>	Real-Time Clock Enable. The RTCE is the real-time enable bit. Setting this bit to logic 1 activates the clocking by allowing the divided clock to the ripple counters. Clearing this bit to logic 0 disables the clock.
<i>RCNT.1: ADE</i>	Alarm Time-of-Day Enable. The ADE bit is the RTC's time-of-day alarm enable and must be set to logic 1 for the alarm to generate a system interrupt request. When the ADE is cleared to logic 0, the time-of-day alarm is disabled; no interrupt is generated even the alarm is set.
<i>RCNT.2: ASE</i>	Alarm Subsecond Enable. The ASE bit is the RTC's subsecond timer enable and must be set to logic 1 for the subsecond alarm to generate a system interrupt request. When the ASE is cleared to logic 0, the subsecond alarm is disabled; no interrupt is generated even the alarm is set.
<i>RCNT.3: BUSY</i>	RTC Busy. This bit is set to 1 by hardware when any of the following conditions occur: 1) System reset. 2) Software writes to RTC count registers or trim register. 3) Software changes RTCE, ASE, or ADE. For conditions 2) and 3), the write or change should not be considered complete until hardware clears the BUSY bit. This is an indication that a 32kHz synchronized version of the register bit(s) is in place.
<i>RCNT.4: RDY</i>	RTC Ready. This bit is set to 1 by hardware when the RTC count registers update. It can be cleared to 0 by software at any time. It is also cleared to 0 by hardware just prior to an update of the RTC count register. This bit can generate an interrupt if the RDYE bit is set to 1.
<i>RCNT.5: RDYE</i>	RTC Ready Enable. Setting this bit to 1 allows a system interrupt to be generated when RDY becomes active (if interrupts are enabled globally and modularly). Clearing this bit to 0 disables the RDY interrupt.

Low-Power, Dual-Core Microcontroller

Special Function Register Bit Descriptions (continued)

MAXQ3108

<i>RCNT.6: ALDF</i>	Alarm Time-of-Day Flag. This bit is set when the contents of RTSH and RTSL counter registers match the 20-bit value in the RASH and RASL alarm registers. Setting the ALDF causes an interrupt request to the CPU if the ADE is set and interrupt is allowed at the system level. This flag must be cleared by software once set. This alarm is qualified as a wake up to the stop and the switchback function if its interrupt has not been masked.	
<i>RCNT.7: ALSF</i>	Alarm Subsecond Flag. This bit is set when the subsecond timer has been reloaded by the RSSA register. Setting the ALSF causes an interrupt request to the CPU if the ASE is set and the interrupt is allowed at the system level. This flag must be cleared by software once set. This alarm is qualified as a wake up to the stop and the switchback function if its interrupt have not been masked.	
<i>RCNT.8: SQE</i>	RTC Square-Wave Output Enable. Setting this bit to a logic 1 enables either the 1Hz tap or the 512Hz tap of the RTC to the SQW pin. When cleared to 0, the SQW pin is not driven by the RTC. Because the P1.3 pin has two possible special function outputs, the SQW special function takes priority over the JTAG TDO special function output if both are enabled.	
<i>RCNT.9: FT</i>	RTC Frequency Test. This register bit selects the frequency output that is possible on the SQW pin if the square-wave output is enabled. Setting FT = 1 selects the 512Hz output (when SQE = 1) while FT = 0 selects the 1Hz output (when SQE = 1). This bit has no function if the square-wave output is disabled.	
<i>RCNT.[11:10]: 32KMD[1:0]</i>	32K Oscillator Mode Bits [1:0]. These two bits determine the 32K oscillator operation modes as shown in the below table. Changing the value of these bits when the 32K input is enabled (X32D = 0) resets the 32KRDY bit to 0 if the new setting requires the oscillator circuitry to warm up.	
	32KMD[1:0]	32K OSCILLATOR MODE
	00	Always operate in noise immune mode.
	01	Always operate in quiet mode.
	10	Operate in noise immune mode normally, switch to quiet mode on stop mode entry. On stop mode exit, the CPU code execution must wait for 32K oscillator to transition (warm up) from quiet mode to noise immune mode.
11	Operate in noise immune mode normally, switch to quiet mode on stop mode entry. On stop mode exit, the CPU code execution can occur during the 32K oscillator transition (warm up) from quiet mode to noise immune mode.	
<i>RCNT.12: 32KBYP</i>	32K Bypass Enable. Setting this bit to 1 disables the internal oscillator circuitry connected between the internal CX1 and CX2 pins. In this configuration, any peripheral that is using the 32K input can be driven externally by a clock signal provided on the CX1 pin. Clearing this bit to 0 enables the internal crystal oscillator circuitry. When the internal oscillator circuitry is enabled, 250ms are required before the crystal oscillator has warmed up. This bit can only be changed when RTCE = 0. Note that this bit has no effect when X32D is set to 1.	
<i>RCNT.13: 32KRDY</i>	32K Input Ready. This bit is set to 1 by hardware after the 32K oscillator has warmed up and is ready to source as input to system clock or peripherals. This bit is cleared to 0 when X32D is set to 1 or when X32D = 0 and 32KMD values have changed to require the 32K circuitry to warm up. User application should check that the 32K input is ready (32KRDY = 1) before enabling any peripherals that use the 32K input as time base; otherwise timing accuracy is compromised. This bit is read-only.	
<i>RCNT.14: X32D</i>	32K External Input Disable. Setting this bit to 1 disables the 32K circuitry. No external 32K clock source is accepted. Clearing this bit to 0 enables the 32K circuitry. The source of the input is configured through the 32KBYP bit. This bit can only be changed when RTCE = 0. Note: If X32D = 0 in stop mode, the 32K source is still available in stop mode.	
<i>RCNT.15: WE</i>	RTC Write Enable. This register bit serves as a protection mechanism against undesirable writes to the RTCE bit and RTRM register. This bit must be set to a 1 to give write access to the RTRM register and the RTCE bit; otherwise (when the WE bit = 0) these protected bits are read-only.	

Low-Power, Dual-Core Microcontroller

Special Function Register Bit Descriptions (continued)

RTSS (1Ah, 01h) <i>Initialization:</i> <i>Read/Write Access:</i>	RTC Subsecond Counter Register (8-Bit Register) This register is battery backed through POR so long as $V_{BAT(MIN)} < V_{BAT} < V_{BAT(MAX)}$; however, it is indeterminate on the very first POR and must be configured initially by the user. This register is unaffected by other resets. Write accessible when $RTCE = 0$ and $BUSY = 0$. Read accessible at all times, but the value could be indeterminate if $RDY = 0$. Software should be careful to read this register only when $RDY = 1$.
<i>RTSS.[7:0]:</i>	RTC Subsecond Counter Bit 7:0. This ripple counter represents 1/256-second resolution for the RTC and its content is incremented with each 256Hz clock tick derived from the 32.768kHz oscillator. When the counter rollover, its output is used to drive the 32-bit second counter.
RTSH (1Bh, 01h) <i>Initialization:</i> <i>Read/Write Access:</i>	RTC Second Counter High Register (16-Bit Register) This register is battery backed through POR so long as $V_{BAT(MIN)} < V_{BAT} < V_{BAT(MAX)}$; however, it is indeterminate on the very first POR and must be configured initially by the user. This register is unaffected by other resets. Write accessible when $RTCE = 0$ and $BUSY = 0$. Read accessible at all times, but the value could be indeterminate if $RDY = 0$. Software should be careful to read this register only when $RDY = 1$.
<i>RTSH.[15:0]:</i>	RTC Second Counter High Bit 15:0. This register contains the most significant bits for the 32-bit second counter. The RTC is a ripple counter that consists of cascading the 32-bit second counter and 8-bit subsecond counter (RTSH, RTSL, and RTSS).
RTSL (1Ch, 01h) <i>Initialization:</i> <i>Read/Write Access:</i>	RTC Second Counter Low Register (16-Bit Register) This register is battery backed through POR so long as $V_{BAT(MIN)} < V_{BAT} < V_{BAT(MAX)}$; however, it is indeterminate on the very first POR and must be configured initially by the user. This register is unaffected by other resets. Write accessible when $RTCE = 0$ and $BUSY = 0$. Read accessible at all times, but the value could be indeterminate if $RDY = 0$. Software should be careful to read this register only when $RDY = 1$.
<i>RTSL.[15:0]:</i>	RTC Second Counter Low Bit 15:0. This register contains the least significant bits for the 32-bit second counter. The RTC is a ripple counter that consists of cascading the 32-bit second counter and 8-bit subsecond counter (RTSH, RTSL, and RTSS).
RSSA (1Dh, 01h) <i>Initialization:</i> <i>Read/Write Access:</i>	RTC Subsecond Alarm Register (8-Bit Register) This register is battery backed through POR so long as $V_{BAT(MIN)} < V_{BAT} < V_{BAT(MAX)}$; however, it is indeterminate on the very first POR and must be configured initially by the user. This register is unaffected by other resets. Unrestricted read. Write accessible when $BUSY = 0$ and either ($ASE = 0$ or $RTCE = 0$).
<i>RSSA.[7:0]:</i>	RTC Subsecond Alarm Register Bit 7:0. This register contains the reload value for the subsecond alarm. The ALSF bit is set when an autoreload occurs.

Low-Power, Dual-Core Microcontroller

Special Function Register Bit Descriptions (continued)

MAXQ3108

RASH (1Eh, 01h) <i>Initialization:</i> <i>Read/Write Access:</i>	RTC Alarm Time-of-Day High Register (8-Bit Register) This register is battery backed through POR so long as $V_{BAT(MIN)} < V_{BAT} < V_{BAT(MAX)}$; however, it is indeterminate on the very first POR and must be configured initially by the user. This register is unaffected by other resets. Bits 3:0 are write accessible when either (ADE = 0 or RTCE = 0). Bits 3:0 are read accessible at all times. Bits 7:4 are not write accessible and always read 0.
<i>RASH.[3:0]:</i>	RTC Time-of-Day High Bit 3:0. This register contains the most significant bits for the 20-bit time-of-day alarm. The time-of-day alarm is formed by the RASH and the RASL registers and only the lower 20 bits is meaningful for the alarm function. The time-of-day alarm is triggered when 1) the subsecond counter rolls over and 2) the 20 significant bits of the RASH:RASL register pair match the 20 least significant bits of the RTC (the RTSH:RTSL register pair).
<i>RASH.[7:4]: Reserved</i>	Reserved. Reads return 0.
RASL (1Fh, 01h) <i>Initialization:</i> <i>Read/Write Access:</i>	RTC Alarm Time-of-Day Low Register (16-Bit Register) This register is battery backed through POR so long as $V_{BAT(MIN)} < V_{BAT} < V_{BAT(MAX)}$; however, it is indeterminate on the very first POR and must be configured initially by the user. This register is unaffected by other resets. Unrestricted read. Write accessible when BUSY = 0 and either (ADE = 0 or RTCE = 0).
<i>RASL.[15:0]:</i>	RTC Time-of-Day Low Bit 15:0. This register contains the least significant bits for the 20-bit time-of-day alarm. The time-of-day alarm is formed by the RASH and the RASL registers and only the lower 20 bits are meaningful for the alarm function. The time-of-day alarm is triggered when 1) the subsecond counter rolls over and 2) the 20 significant bits of the RASH:RASL register pair match the 20 least significant bits of the RTC (the RTSH:RTSL register pair).
T2CNA (00h, 02h) <i>Initialization:</i> <i>Read/Write Access:</i>	Timer 2 Control Register A This register is cleared to 00h on all forms of reset. Unrestricted read/write.
<i>T2CNA.0: G2EN</i>	Gating Enable. This bit enables the external T2P pin to gate the input clock to the 16-bit (T2MD = 0) or highest 8-bit (T2MD = 1) timer. Gating uses T2P as an input, thus it can only be used when T2OE0 = 0 and $C/\overline{T2} = 0$. Gating is not possible on the low 8-bit timer (T2L) when timer 2 is operated in dual 8-bit mode. Gating does not make sense when counter operation is selected as the T2 input is being counted. The G2EN bit serves a different purpose when capture and reload have been defined for both edges (CCF[1:0] = 11b and CPRL2 = 1). For this special case, setting G2EN = 1 allows the T2POL0 bit to specify which edge does not cause a reload. If T2POL0 is 0, there is no reload on the falling edge; if T2POL0 is 1, there is no reload on the rising edge. 0 = gating disabled 1 = gating enabled

Low-Power, Dual-Core Microcontroller

Special Function Register Bit Descriptions (continued)

T2CNA.1: SS2	<p>Single Shot. This bit is used to automatically override or delay the effect of the TR2 bit setting. The single-shot bit is only useful in the timer mode of operation ($C/\overline{T2} = 0$) and should not be set to 1 when the counter mode of operation is enabled ($C/\overline{T2} = 1$).</p> <p>Compare Mode: If SS2 is written to a 1 while in compare mode, one cycle of the defined waveform (reload to overflow) is output to the T2P, T2PB pins as prescribed by T2POL[1:0] and T2OE[1:0] controls. The only time that this does not immediately occur is when a gating condition is also defined. If a gating condition is defined, the single-shot cycle cannot occur until the gating condition is removed. If the specified nongated level is already in effect, the single-shot period starts. The gated single-shot output is not supported in dual 8-bit mode.</p> <p>Capture Mode: If SS2 is written to a 1 while in capture mode, the timer is halted and the single-shot capture cycle does not begin until 1) the edge specified by CCF[1:0] is detected or 2) the defined gating condition is removed. Once running, the timer continues running (as allowed by the gate condition) until the defined capture single-shot edge is detected. In this way, the SS2 bit can be used to delay the running of a timer until an edge is detected (setting both SS2 and TR2 = 1) or override the TR2 = 0 bit setting for one capture cycle (setting only SS2 = 1). When both edges are defined for capture CCF[1:0] = 11b, the T2POL0 bit serves to define the single-shot start/end edge: falling edge if T2POL0 = 1; rising edge if T2POL0 = 0. No interrupt flag is set when the starting edge for the single-shot capture cycle is detected. The single-shot capture cycle always ends when the next single-shot edge is detected. The start/end edge is defined by T2POL0. This bit is intended to automate pulse-width measurement (low or high) and duty cycle/period measurement.</p>
T2CNA.2: CPRL2	<p>Capture and Reload Enable. This bit enables a reload (in addition to a capture) on the edge specified by CCF[1:0] when operating in capture/reload mode ($C/\overline{T2} = 0$). If both edges are defined for capture/reload (CCF[1:0] = 11b), enabling the gating control (G2EN = 1) allows the T2POL0 bit to be used to prevent a reload on one of the edges. If T2POL0 is 0, no reload on the falling edge; if T2POL0 is 1, no reload on the rising edge.</p> <p>0: capture on edge(s) specified by CCF[1:0] bits 1: capture and reload on edge(s) specified by CCF[1:0] bits</p>
T2CNA.3: TR2	<p>Timer 2 Run Enable. This bit starts/stops timer 2. In the dual 8-bit mode of operation, this bit applies only to the T2H timer/counter. Otherwise, the bit applies to the full 16-bit T2H:T2L timer/counter. When the timer is stopped (TR2 = 0), the timer registers hold their count. The single-shot bit (SS2) can override and/or delay the effect of the TR2 bit.</p> <p>0: timer 2 stopped 1: timer 2 run</p>
T2CNA.4: TR2L	<p>Timer 2 Low Run Enable. This bit starts/stops the low 8-bit timer (T2L) when dual 8-bit mode (T2MD = 1) is in effect. This bit has no effect when T2MD = 0.</p> <p>0: timer 2 low stopped 1: timer 2 low run</p>
T2CNA.5: T2POL0	<p>Timer 2 Polarity Select 0. When the timer 2 output function has been enabled (T2OE0 = 1), the polarity select bit defines the starting logic level for the T2P output waveform. When T2POL0 = 0, the starting state for the T2P output is logic-low. When T2POL0 = 1, the starting state for the T2P output is logic-high. The T2POL0 bit can be modified any time, but takes effect on the external pin when T2OE0 is changed from 0 to 1. When the timer 2 pin is being used as an input (T2OE0 = 0), the polarity select bit defines which logic level can be used to gate the timer input clock (when CCF[1:0] <> 11b). When CCF[1:0] = 11b, T2POL0 defines which edge can start/stop a single-shot capture and which edge reload can be skipped (if CPRL2 = 1 and G2EN = 1).</p>

Low-Power, Dual-Core Microcontroller

Special Function Register Bit Descriptions (continued)

MAXQ3108

T2CNA.6: T2OE0	Timer 2 Output Enable 0. This register bit enables the timer 2 output function for the external T2P pin. The table below shows timer 2 output possibilities for the T2P, T2PB pins.																																
	<table border="1"> <thead> <tr> <th>T2OE[1:0]</th> <th>T2MD</th> <th>T2P PIN</th> <th>T2PB PIN</th> </tr> </thead> <tbody> <tr> <td>00</td> <td>X</td> <td>Port latch data</td> <td>Port latch data</td> </tr> <tr> <td>01</td> <td>0</td> <td>16-bit PWM output</td> <td>Port latch data</td> </tr> <tr> <td>10</td> <td>0</td> <td>Port latch data</td> <td>16-bit PWM output</td> </tr> <tr> <td>11</td> <td>0</td> <td>16-bit PWM output</td> <td>16-bit PWM output</td> </tr> <tr> <td>01</td> <td>1</td> <td>8-bit PWM output (T2H)</td> <td>Port latch data</td> </tr> <tr> <td>10</td> <td>1</td> <td>Port latch data</td> <td>8-bit PWM output (T2L)</td> </tr> <tr> <td>11</td> <td>1</td> <td>8-bit PWM output (T2H)</td> <td>8-bit PWM output (T2L)</td> </tr> </tbody> </table>	T2OE[1:0]	T2MD	T2P PIN	T2PB PIN	00	X	Port latch data	Port latch data	01	0	16-bit PWM output	Port latch data	10	0	Port latch data	16-bit PWM output	11	0	16-bit PWM output	16-bit PWM output	01	1	8-bit PWM output (T2H)	Port latch data	10	1	Port latch data	8-bit PWM output (T2L)	11	1	8-bit PWM output (T2H)	8-bit PWM output (T2L)
	T2OE[1:0]	T2MD	T2P PIN	T2PB PIN																													
	00	X	Port latch data	Port latch data																													
	01	0	16-bit PWM output	Port latch data																													
	10	0	Port latch data	16-bit PWM output																													
	11	0	16-bit PWM output	16-bit PWM output																													
	01	1	8-bit PWM output (T2H)	Port latch data																													
10	1	Port latch data	8-bit PWM output (T2L)																														
11	1	8-bit PWM output (T2H)	8-bit PWM output (T2L)																														
T2CNA.7: ET2	Enable Timer 2 Interrupts. This bit serves as the local enable for timer 2 interrupt sources that fall under the TF2 and TCC2 interrupt flags.																																
T2H (01h, 02h) Initialization: Read/Write Access:	Timer 2 Most Significant Byte The timer 2 most significant byte is cleared to 00h on all forms of reset. Unrestricted read/write.																																
T2H.[7:0]:	Timer 2 MSB Bits 7:0. This register is used to load and read the most significant 8-bit value in timer 2.																																
T2RH (02h, 02h) Initialization: Read/Write Access:	Timer 2 Most Significant Byte Reload The timer 2 most significant byte is cleared to 00h on all forms of reset. Unrestricted read/write.																																
T2RH.[7:0]:	Timer 2 Reload MSB Bits 7:0. This register is used to load and read the most significant 8-bit value in timer 2.																																
T2CH (03h, 02h) Initialization: Read/Write Access:	Timer 2 Most Significant Byte Capture/Compare This byte is cleared to 00h on all forms of reset. Unrestricted read/write.																																
T2CH.[7:0]:	Timer 2 Capture/Compare MSB Bits 7:0. This register reflects the upper byte of the timer 2 capture/compare value and is read/write accessible at all times.																																
PO2 (04h, 02h) Initialization: Read/Write Access:	Port 2 Output Register (8-Bit Register) This register is set to 1Fh on all forms of reset. Unrestricted read/write.																																
PO2.[6:0]:	Port 2 Output Register Bits 6:0. The PO2 register stores output data for port 2 when it is defined as an output port and controls whether the internal weak p-channel pullup transistor is enabled/disabled if a port pin is defined as an input. The contents of this register can be modified by a write access. Reading from the register returns the contents of the register. Changing the direction of port 2 does not change the data contents of the register.																																
PO2.7: Reserved	Reserved. Reads return 0.																																

Low-Power, Dual-Core Microcontroller

Special Function Register Bit Descriptions (continued)

PI2 (05h, 02h) <i>Initialization:</i> <i>Read/Write Access:</i>	Port 2 Input Register The reset value for this register is dependent on the logical states of the pins. Unrestricted read-only.
<i>PI2.[6:0]:</i>	Port 2 Input Register Bits 6:0. The PI2 register always reflects the logic state of its pins when read. Note that each port pin has a weak pullup circuit when functioning as an input and the p-channel pullup transistor is controlled by its respective PO bits. If the PO bit is set to 1, the weak pullup is on; if the PO bit is cleared to 0, the weak pullup is off and forces the port pin into three-state.
<i>PI2.7: Reserved</i>	Reserved. Reads return 0.
SCON0 (06h, 02h) <i>Initialization:</i> <i>Read/Write Access:</i>	Serial Port 0 Control Register The serial port control is cleared to 00h on all forms of reset. Unrestricted read/write.
<i>SCON0.0: RI</i>	Receive Interrupt Flag. This bit indicates that a data byte has been received in the serial port buffer. The bit is set at the end of the 8th bit for mode 0, after the last sample of the incoming stop bit for mode 1 subject to the value of the SM2 bit, or after the last sample of RB8 for modes 2 and 3. This bit must be cleared by software once set.
<i>SCON0.1: TI</i>	Transmit Interrupt Flag. This bit indicates that the data in the serial-port data buffer has been completely shifted out. It is set at the end of the last data bit for all modes of operation and must be cleared by software once set.
<i>SCON0.2: RB8</i>	9th Received Bit State. This bit identifies the state of the 9th bit of received data in serial port modes 2 and 3. When SM2 is 0, it is the state of the stop bit in mode 1. This bit has no meaning in mode 0.
<i>SCON0.3: TB8</i>	9th Transmission Bit State. This bit defines the state of the 9th transmission bit in serial port modes 2 and 3.
<i>SCON0.4: REN</i>	Receive Enable REN_0 = 0: Serial port 0 receiver disabled. REN_0 = 1: Serial port 0 receiver enabled for modes 1, 2 and 3. Initiate synchronous reception for mode 0.
<i>SCON0.5: SM2</i>	Serial Port 0 Mode Bit 2. Setting this bit in mode 1 ignores reception if an invalid stop bit is detected. Setting this bit in mode 2 or 3 enables multiprocessor communications, and prevents the RI bit from being set and the interrupt from being asserted if the 9th bit received is 0. This bit is also used to support mode 0 for clock selection. SM2 = 0: clock is divided by 12 SM2 = 1: clock is divided by 4
<i>SCON0.6: SM1</i>	Serial Port 0 Mode Bit 1

Low-Power, Dual-Core Microcontroller

Special Function Register Bit Descriptions (continued)

MAXQ3108

<i>SCON0.7: SM0/FE</i>	Serial Port 0 Mode Bit 0/Framing Error Flag. When FEDE is 0, this is the SM0 bit. When FEDE is set to 1, this bit is the FE that is set upon detection of an invalid stop bit. It must be cleared by software. Modification of this bit when FEDE is set has no effect on the serial mode.						
	MODE	SM2	SM1	SM0	FUNCTION	LENGTH (BITS)	PERIOD
	0	0	0	0	Synchronous	8	12 system clock
	0	1	0	0	Synchronous	8	4 system clock
	1	X	1	0	Asynchronous	10	64/16 baud clock (SMOD = 0/1)
	2	0	0	1	Asynchronous	11	64/32 system clock (SMOD = 0/1)
	2	1	0	1	Asynchronous (MP)	11	64/32 system clock (SMOD = 0/1)
	3	0	1	1	Asynchronous	11	64/16 baud clock (SMOD = 0/1)
3	1	1	1	Asynchronous (MP)	11	64/16 baud clock (SMOD = 0/1)	

SBUF0 (07h, 02h) <i>Initialization:</i> <i>Read/Write Access:</i>	Serial Data Buffer 0 This buffer is cleared to 00h on all forms of reset. Unrestricted read/write.
<i>SBUF0.[7:0]:</i>	Serial Data Buffer 0 Bit 7:0. Data for serial port 0 is read from or written to this location. The serial transmit and receive buffers are separate, but both are addressed at this location.

SMD0 (08h, 02h) <i>Initialization:</i> <i>Read/Write Access:</i>	Serial Port Mode Register 0 This register is cleared to 00h on all forms of reset. Unrestricted read/write.
<i>SMD0.0: FEDE</i>	Framing-Error-Detection Enable. This bit selects the function of SM0 (SCON0.7). FEDE = 0: SCON0.7 functions as SM0 for serial-port mode selection. FEDE = 1: SCON0.7 is converted to the FE flag.
<i>SMD0.1: SMOD</i>	Serial Port 0 Baud-Rate Select. The SMOD selects the final baud rate for the asynchronous mode: SMOD = 1: 16 times the baud clock for mode 1 and 3; 32 times the system clock for mode 2. SMOD = 0: 64 times the baud clock for mode 1 and 3; 64 times the system clock for mode 2.
<i>SMD0.2: ESI</i>	Enable Serial Port 0 Interrupt. Setting this bit to 1 enables interrupt requests generated by the RI or TI flags in SCON0. Clearing this bit to 0 disables the serial port interrupt.
<i>SMD0.[5:3]: Reserved</i>	Reserved. Reads return 0.
<i>SMD0.6: OFS</i>	Output Function Select. This bit selects the PWM output function when EPWM = 1. When EPWM = 1, the OFS bit selects one of the following modes: OFS = 0: logical NOR between UART0 TXD output and T2L waveform. OFS = 1: logical OR between UART0 TXD output and T2L waveform. Note that the PWM function is not possible for UART mode 0 and this bit has no effect during UART mode 0 operation.

Low-Power, Dual-Core Microcontroller

Special Function Register Bit Descriptions (continued)

<i>SMD0.7: EPWM</i>	Enable TXD PWM Output Function. Setting this bit to a 1 enables the output of the logical function selected by the OFS bit to be output on the TXD0 pin for the asynchronous UART transmit modes (i.e., modes 1, 2, and 3). Note that the PWM function is not possible for UART mode 0 and this bit has no effect during UART mode 0 operation. When this bit is cleared to 0, the OFS bit is meaningless and the normal TXD0 pin controls and behavior apply.
PR0 (09h, 02h) <i>Initialization:</i> <i>Read/Write Access:</i>	Phase Register 0 The phase register is cleared to 0000h on all forms of reset. Unrestricted read/write.
<i>PR0.[15:0]:</i>	Phase Register 0 15:0. This register is used to load and read the 16-bit value in the phase register that determines the baud rate for the serial port 0.
PD2 (0Ah, 02h) <i>Initialization:</i> <i>Read/Write Access:</i>	Port 2 Direction Register This register is cleared to 00h on all forms of reset. Unrestricted read/write.
<i>PD2.[6:0]:</i>	Port 2 Direction Register Bits 6:0. PD2 is used to determine the direction of the port 2 function. The port pins are independently controlled by their direction bit. When a bit is set to 1, its corresponding pin is used as an output; data in the PO register is driven on the pin. When a bit is cleared to 0, its corresponding pin is used as an input, and allows an external signal to drive the pin. Note that each port pin has a weak pullup circuit when functioning as an input and the p-channel pullup transistor is controlled by its respective PO bits. If the PO bit is set to 1, the weak pullup is on; if the PO bit is cleared to 0, the weak pullup is off and forces the port pin into three-state.
<i>PD2.7: Reserved</i>	Reserved. Reads return 0.
T2CNB (0Bh, 02h) <i>Initialization:</i> <i>Read/Write Access:</i>	Timer 2 Control Register B This register is cleared to 00h on all forms of reset. Unrestricted read/write.
<i>T2CNB.0: T2CL</i>	Timer 2 Low Compare Flag. This flag is meaningful only for the dual 8-bit mode of operation (T2MD = 1) and becomes set only when a compare match occurs between T2CL and T2L. Timer 2 low does not have an associated capture function.
<i>T2CNB.1: TCC2</i>	Timer 2 Capture/Compare Flag. This flag is set on any compare match between the Timer 2 value and compare register (T2V = T2C or T2H = T2CH, respectively, for 16-bit and 8-bit compare modes) or when a capture event is initiated by an external edge.
<i>T2CNB.2: TF2L</i>	Timer 2 Low Overflow Flag. This flag is meaningful only when in the dual 8-bit mode of operation (T2MD = 1) and becomes set whenever there is an overflow of the T2L 8-bit timer.
<i>T2CNB.3: TF2</i>	Timer 2 Overflow Flag. This flag becomes set anytime there is an overflow of the full 16-bit T2 timer/counter (when T2MD = 0) or an overflow of the 8-bit T2H timer/counter when the dual 8-bit mode of operation is selected (T2MD = 1).
<i>T2CNB.4: Reserved</i>	Reserved. Reads return 0.
<i>T2CNB.5: T2POL1</i>	Timer 2 Polarity Select 1. When the T2B output is enabled (T2OE1 = 1), this bit selects the starting logic level for the alternate pin output. The output that is driven on the T2PB pin can be derived from the 16-bit timer 2 or the 8-bit timer (T2L) depending upon whether operating in the 16-bit mode or the dual 8-bit mode. The T2POL1 bit can be modified any time, but takes effect on the external pin when T2OE1 is changed from 0 to 1.

Low-Power, Dual-Core Microcontroller

Special Function Register Bit Descriptions (continued)

MAXQ3108

<i>T2CNB.6: T2OE1</i>	Timer 2 Output Enable 1. See the table given under T2CNA.6 bit description. The T2OE1 bit is not implemented for single pin versions of timer 2.
<i>T2CNB.7: ET2L</i>	Enable Timer 2 Low Interrupts. This bit serves as the local enable for timer 2 low interrupt sources that fall under the TF2L and T2CL interrupt flags.
T2V (0Ch, 02h) <i>Initialization:</i> <i>Read/Write Access:</i>	Timer 2 Value Register This register is cleared to 0000h on all forms of reset. Unrestricted read/write.
<i>T2V.[15:0]:</i>	Timer 2 Value Register Bits 15:0. The T2V register is a 16-bit register that holds the current timer 2 value. When operating in 16-bit mode (T2MD = 0), the full 16 bits are read/write accessible. If the dual 8-bit mode of operation is selected, the upper byte of T2V is inaccessible. T2V reads while in the dual 8-bit mode return 00h as the high byte and writes to the upper byte of T2V are blocked. A separate T2H register is provided to facilitate high-byte access.
T2R (0Dh, 02h) <i>Initialization:</i> <i>Read/Write Access:</i>	Timer 2 Reload Register This register is cleared to 0000h on all forms of reset. Unrestricted read/write.
<i>T2R.[15:0]:</i>	Timer 2 Reload Register Bits 15:0. This 6-bit register holds the reload value for timer 2. When operating in 16-bit mode (T2MD = 0), the full 16 bits are read/write accessible. If the dual 8-bit mode of operation is selected, the upper byte of T2R is inaccessible. T2R reads while in the dual 8-bit mode return 00h as the high byte and writes to the upper byte of T2R are blocked. A separate T2RH register is provided to facilitate high-byte access.
T2C (0Eh, 02h) <i>Initialization:</i> <i>Read/Write Access:</i>	Timer 2 Capture/Compare Register This register is cleared to 0000h on all forms of reset. Unrestricted read/write.
<i>T2C.[15:0]:</i>	Timer 2 Capture/Compare Register Bits 15:0. This 16-bit register that holds the compare value when operating in compare mode and gets the capture value when operating in capture mode. When operating in 16-bit mode (T2MD = 0), the full 16 bits are read/write accessible. If the dual 8-bit mode of operation is selected, the upper byte of T2C is inaccessible. T2C reads while in the dual 8-bit mode return 00h as the high byte and writes to the upper byte of T2C are blocked. A separate T2CH register is provided to facilitate high-byte access.
T2CFG (0Fh, 02h) <i>Initialization:</i> <i>Read/Write Access:</i>	Timer 2 Configuration Register This register is cleared to 00h on all forms of reset. Unrestricted read/write.
<i>T2CFG.0: C/T2</i>	Timer 2 Counter/Timer Select. This bit enables/disables the edge counter mode of operation for the 16-bit counter (T2H:T2L) or the 8-bit counter (T2H) when the dual 8-bit mode of operation is enabled (T2MD = 1). The edge for counting (rising/falling/both) is defined by the CCF[1:0] bits. 0: timer mode 1: counter mode

Low-Power, Dual-Core Microcontroller

Special Function Register Bit Descriptions (continued)

T2CFG.[2:1]: CCF[1:0]	Timer 2 Capture/Compare Function Select. These bits, in conjunction with the $C/\overline{T2}$ bit, select the basic operating mode of timer 2. In the dual 8-bit mode of operation (T2MD = 1), the secondary timer (T2L) always operates in compare mode.		
	CCF[1:0]	EDGE(S)	$C/\overline{T2} = 0$ (TIMER MODE)
	00	None	Compare Mode
	01	Rising	Capture/Reload
	10	Falling	Capture/Reload
	11	Rising and Falling	Capture/Reload
T2CFG.3: T2MD	Timer 2 Mode Select. This bit enables the dual 8-bit mode of operation. The default reset state is 0, which selects the 16-bit mode of operation. When the dual 8-bit mode is established, the primary timer/counter (T2H) carries all the counter/capture functionality with it while the secondary 8-bit timer (T2L) must operate in timer compare mode, sourcing the defined internal clock. 0: 16-bit mode (default) 1: dual 8-bit mode		
T2CFG.[6:4]: T2DIV[2:0]	Timer 2 Clock Divide 2:0 Bits. These three bits select the divide ratio for the timer clock when operating in timer mode.		
	T2DIV[2:0]	DIVIDE RATIO	
	000	1	
	001	2	
	010	4	
	011	8	
	100	16	
	101	32	
	110	64	
	111	128	
T2CFG.7: T2CI	Timer 2 Clock Input Select Bit. Setting this bit enables an alternate input clock source to the timer 2 block. The alternate input clock selection is the 32kHz clock. The alternate input clock must be sampled by the system clock, which requires that the system clock be at least 4 x 32kHz for proper operation.		
MCNT (00h, 03h) <i>Initialization:</i> <i>Read/Write Access:</i>	Multiplier Control Register This register is cleared to 0000h on all forms of reset. Unrestricted read, write is allowed for all bits except bit 7 and 15. Bit 7 and 15 are read-only.		
MCNT.0: SUS	Signed-Unsigned. This bit determines the data type of the operands. When this bit is cleared to 0, the multiplier performs a signed operation; the operands are two's complement values. When this bit is set to logic 1, the multiplier performs an unsigned operation with the operands as absolute magnitudes.		
MCNT.1: MMAC	Multiply-Accumulate Enable		

Low-Power, Dual-Core Microcontroller

Special Function Register Bit Descriptions (continued)

MAXQ3108

MCNT.2: MSUB	Multiply-Accumulate Negate. The state of the MSUB and MMAC bits determines the operation of the hardware multiplier. The accumulator MC is formed by the MC2, MC1, and MC0 registers.		
	MSUB	MMAC	OPERATION
	0	0	MA x MB
	0	1	MC + (MA x MB)
	1	0	-(MA x MC)
1	1	MC - (MA x MB)	
MCNT.3: OPCS	Operand Count Select. This bit is used to select a number of operands for the multiplication operation. When this bit is cleared to logic 0, an operation is initiated after two operands are written to the MA and MB registers. When this bit is set to logic 1, an operation is initiated after an operand is written to either the MA or the MB register. This bit has no meaning if the SQU bit is set. This bit has no effect on division.		
MCNT.4: SQU	Square-Function Enable. This bit is used to support hardware square function. When this bit is set to logic 1, a square operation is initiated after an operand is written to either the MA or the MB register. Writing data to either of the operand registers writes to both registers and triggers a square calculation. Setting this bit to 1 also disables the OPCS function. When this bit is cleared to logic 0, the hardware square function is disabled. This bit has no effect on division.		
MCNT.5: CLD	Clear Data Register. This bit is used to initialize the operand registers and the accumulator of the multiplier. The contents of all five data registers and the OF bit are cleared to 0 and the sequence counter is reset immediately after the CLD is set. This bit is cleared by hardware automatically. If an operation is in progress (DIVSZ = 1) when this bit is set to 1, the operation is aborted and the contents of all data registers and the OF bit are cleared to 0. Writing this bit to 0 causes no operation.		
MCNT.6: MCW	MC Register Write Select. The state of the MCW bit determines if a multiplication operation result is placed into the accumulator register (MC): If MCW is 0, the result is written to the MC register. If MCW is 1, the result is not placed into the MC register and the content of the MC register is not changed. This bit has no effect on division.		
MCNT.7: OF	Overflow Flag. This bit is set to logic 1 when an overflow occurred for the last operation. This bit is automatically cleared to 0 following a reset, starting a multiplier/division operation or the setting of the CLD bit to 1.		
MCNT.8: Reserved	Reserved. Do not write a 1 to this location. Functionally, this is the DIVE bit, however, there are problems with the divide operation.		
MCNT.[15:9]: Reserved	Reserved. Reads return 0.		
MA (01h, 03h) Initialization: Read/Write Access:	Multiplier Operand A Register This register is cleared to 0000h on all forms of reset. Unrestricted read/write.		
MA.[15:0]:	Multiplier Operand A Bit 15:0. This operand A register is used by the user software to load a 16-bit value for a multiplier operation. Loading of the MA and MB registers initiates a selected multiplier operation, dependent on the setting of the MMAC bit. The data type is determined by the SUS bit. The result is stored to the MC register.		

Low-Power, Dual-Core Microcontroller

Special Function Register Bit Descriptions (continued)

MB (02h, 03h) <i>Initialization:</i> <i>Read/Write Access:</i>	Multiplier Operand B Register This register is cleared to 0000h on all forms of reset. Unrestricted read/write.
<i>MB.[15:0]:</i>	Multiplier Operand B Bit 15:0. This operand B register is used by the user software to load a 16-bit value for a multiplier operation. Loading of the MA and MB registers initiates a selected multiplier operation, dependent on the setting of the MMAC bit. The data type is determined by the SUS bit. The result is stored to the MC register.
MC2 (03h, 03h) <i>Initialization:</i> <i>Read/Write Access:</i>	Multiplier Accumulate Register 2 This register is cleared to 0000h on all forms of reset. Unrestricted read/write.
<i>MC2.[15:0]:</i>	Multiplier Accumulate Register 2 Bit 15:0. The MC2 register represents the two most significant bytes of the accumulator register. The 48-bit accumulator is formed by MC2, MC1, and MC0. This register is used in multiply-accumulate operation. For a signed operation, the most significant bit of this register is the signed bit.
MC1 (04h, 03h) <i>Initialization:</i> <i>Read/Write Access:</i>	Multiplier Accumulate Register 1 This register is cleared to 0000h on all forms of reset. Unrestricted read/write.
<i>MC1.[15:0]:</i>	Multiplier Accumulate Register 1 Bit 15:0. The MC1 register represents bytes 3 and 2 of the accumulator register. The 48-bit accumulator is formed by MC2, MC1, and MC0.
MC0 (05h, 03h) <i>Initialization:</i> <i>Read/Write Access:</i>	Multiplier Accumulate Register 0 This register is cleared to 0000h on all forms of reset. Unrestricted read/write.
<i>MC0.[15:0]:</i>	Multiplier Accumulate Register 0 Bit 15:0. The MC0 register represents the two least significant bytes of the accumulator register. The 48-bit accumulator is formed by MC2, MC1, and MC0.
SPIB (07h, 03h) <i>Initialization:</i> <i>Read/Write Access:</i>	SPI Data Buffer (16-Bit Register) This buffer is cleared to 0000h on all forms of reset. Unrestricted read, write is allowed outside of a transfer cycle; when the STBY bit is set, write is blocked and causes write collision error.
<i>SPIB.[15:0]:</i>	SPI Data Buffer Bits 15:0. Data for SPI is read from or written to this location. The serial transmit and receive buffers are separate but both are addressed at this location.
MC1R (08h, 03h) <i>Initialization:</i> <i>Read/Write Access:</i>	Multiplier Read Register 1 This register is cleared to 0000h on all forms of reset. Unrestricted read-only.
<i>MC1R.[15:0]:</i>	Multiplier Read Register 1 Bit 15:0. During multiplication, the MC1R register represents bytes 3 and 2 result from the last operation when MCW bit is 1 or the last operation is either multiply-only or multiply-negate. When MCW bit is 0 and the last operation is either multiply-accumulate or multiply-subtract, the contents of this register may or may not agree with the contents of MC1 due to the combinatorial nature of the adder. The contents of this register remain until a SFR content related to the multiplier has been changed.

Low-Power, Dual-Core Microcontroller

Special Function Register Bit Descriptions (continued)

MAXQ3108

MC0R (09h, 03h) <i>Initialization:</i> <i>Read/Write Access:</i>	Multiplier Read Register 0 This register is cleared to 0000h on all forms of reset. Unrestricted read-only.
<i>MC0R.[15:0]:</i>	Multiplier Read Register 0 Bit 15:0. During multiplication, the MC0R register represents bytes 1 and 0 result from the last operation when MCW bit is 1 or the last operation is either multiply-only or multiply-negate. When MCW bit is 0 and the last operation is either multiply-accumulate or multiply-subtract, the contents of this register may or may not agree with the contents of MCO due to the combinatorial nature of the adder. The contents of this register remain until a SFR content related to the multiplier has been changed.
SPICN (0Dh, 03h) <i>Initialization:</i> <i>Read/Write Access:</i>	SPI Control Register This buffer is cleared to 00h on all forms of reset. Unrestricted read/write, except bit 7 is read-only.
<i>SPICN.0: SPIEN</i>	SPI Enable. Setting this bit to 1 enables the SPI module and its baud-rate generator for SPI operation. Clearing this bit to 0 disables the SPI module and its baud-rate generator.
<i>SPICN.1: MSTM</i>	Master Mode Enable. MSTM functions as a master-mode enable bit for the SPI module. When MSTM is set to 1, the SPI operates as a master. When MSTM is cleared to 0, the SPI module operates in slave mode. Note that this bit can be set from 0 to 1 only when the $\overline{\text{SSEL}}$ signal is deasserted.
<i>SPICN.2: MODFE</i>	Mode Fault Enable. When set to a logic 1 in master mode, this bit enables the use of $\overline{\text{SSEL}}$ input as a mode fault signal; when cleared to 0, the $\overline{\text{SSEL}}$ has no function and its port pin can be used for other purposes. In slave mode, the $\overline{\text{SSEL}}$ pin always functions as a slave-select input signal to the SPI module, independent of the setting of the MODFE bit.
<i>SPICN.3: MODF</i>	Mode Fault Flag. This bit is the mode fault flag when the SPI is operating as a master. When mode-fault detection is enabled as MODFE = 1 in master mode, a detection of a high-to-low transition on the $\overline{\text{SSEL}}$ pin signifies a mode fault and sets the MODF to 1. This bit must be cleared to 0 by software once set. Setting this bit to 1 by software causes an interrupt if enabled. This flag has no meaning in slave mode.
<i>SPICN.4: WCOL</i>	Write Collision Flag. This bit indicates a write collision when set to 1. This is caused by attempting to write to the SPIB while a transfer cycle is in progress. This bit must be cleared to 0 by software once set. Setting this bit to 1 by software causes an interrupt if enabled.
<i>SPICN.5: ROVR</i>	Receive Overrun Flag. This bit indicates a receive overrun when set to 1. This is caused by two or more characters that have been received since the last read by the processor. The newer data is lost. This bit must be cleared to 0 by software once set. Setting this bit to 1 by software causes an interrupt if enabled.
<i>SPICN.6: SPIC</i>	SPI Transfer Complete Flag. This bit indicates the completion of a transfer cycle when set to 1. This bit must be cleared to 0 by software once set. Setting this bit to 1 by software causes an interrupt if enabled.
<i>SPICN.7: STBY</i>	SPI Transfer Busy Flag. This bit is used to indicate the current status of the SPI module. STBY is set to 1 when starting an SPI transfer cycle and is cleared to 0 when the transfer cycle is completed. This bit is controlled by hardware and is read-only for user software.

Low-Power, Dual-Core Microcontroller

Special Function Register Bit Descriptions (continued)

SPICF (0Eh, 03h) <i>Initialization:</i> <i>Read/Write Access:</i>	SPI Configuration Register This buffer is cleared to 00h on all forms of reset. Unrestricted read/write.
<i>SPICF.0: CKPOL</i>	Clock Polarity Select. This bit is used with the CKPHA bit to determine the SPI transfer format. When the CKPOL is set to 1, the SPI uses the clock falling edge as an active edge. When the CKPOL is cleared to 0, the SPI selects the clock rising edge as an active edge.
<i>SPICF.1: CKPHA</i>	Clock Phase Select. This bit is used with the CKPOL bit to determine the SPI transfer format. When the CKPHA is set to 1, the SPI samples input data at an inactive edge. When the CKPHA is cleared to 0, the SPI samples input data at an active edge.
<i>SPICF.2: CHR</i>	Character Length Bit. The CHR bit determines the character length for an SPI transfer cycle. A character can consist of 8 or 16 bits in length. When CHR bit is 0, the character is 8 bits; when CHR is set to 1, the character is 16 bits.
<i>SPICF.[6:3]: Reserved</i>	Reserved. Reads return 0.
<i>SPICF.7: ESPII</i>	SPI Interrupt Enable. Setting this bit to 1 enables the SPI interrupt when the MODF, WCOL, ROVR, or SPIC flags are set. Clearing this bit to 0 disables the SPI interrupt.
SPICK (0Fh, 03h) <i>Initialization:</i> <i>Read/Write Access:</i>	SPI Clock Register This buffer is cleared to 00h on all forms of reset. Unrestricted read/write.
<i>SPICK.[7:0]:</i>	Clock Divide Ratio Bit 7:0. These bits select one of the 256 divide ratios (0 to 255) used for the baud-rate generator, with bit 7 as the most significant bit. The frequency of the SPI baud rate is calculated using the following equation: $\text{SPI Baud Rate} = 0.5 \times \text{System Clock} / (\text{Divide Ratio} + 1)$ This register has no function when operating in slave mode, and the clock generation circuitry should be disabled.
I2CBUF (00h, 04h) <i>Initialization:</i> <i>Read/Write Access:</i>	I²C Data Buffer Register (16-Bit Register) This register is cleared to 0000h on all forms of resets. Unrestricted read access. This register can be written to only when I2CBUSY = 0.
<i>I2CBUF.[9:0]:</i>	I²C Data Buffer Bits 9:0. Data for I ² C transfer is read from or written to this location. The I ² C transmit and receive buffers are separate but both are addressed at this location. During address transmission, I2CBUF.[6:0] is used as the address bits. During data transmission, only I2CBUF.[7:0] is used.
<i>I2CBUF.[15:10]: Reserved</i>	Reserved. Reads return 0.
I2CST (01h, 04h) <i>Initialization:</i> <i>Read/Write Access:</i>	I²C Status Register (16-Bit Register) This register is cleared to 0000h on all forms of reset. Unrestricted read. Not all the bits can be written by software. For each bit accessibility, see the individual bit description.
<i>I2CST.0: I2CSRI</i>	I²C START Interrupt Flag. This bit is set to 1 when a START condition (S or Sr) is detected. This bit must be cleared to 0 by software once set. Setting this bit to 1 by software causes an interrupt if enabled.

Low-Power, Dual-Core Microcontroller

Special Function Register Bit Descriptions (continued)

MAXQ3108

<i>I2CST.1: I2CTXI</i>	I²C Transmit Complete Interrupt Flag. This bit indicates that an address or a data byte has been successfully shifted out and the I ² C controller has received an acknowledgment from the receiver (NACK or ACK). This bit must be cleared by software once set. Setting this bit to 1 by software causes an interrupt if enabled.
<i>I2CST.2: I2CRXI</i>	I²C Receive Ready Interrupt Flag. This bit indicates that a data byte has been received in the I ² C buffer. This bit must be cleared by software once set. Setting this bit to 1 by hardware causes an interrupt if enabled. This bit is set by hardware only.
<i>I2CST.3: I2CSTRI</i>	I²C Clock Stretch Interrupt Flag. This bit indicates that the I ² C controller is operating with clock stretching enabled and is holding the SCL clock signal low. The I ² C controller releases SCL after this bit has been cleared to 0. Setting this bit to 1 by hardware causes an interrupt if enabled. This bit must be cleared to 0 by software once set. This bit is set by hardware only.
<i>I2CST.4: I2CTOI</i>	I²C Timeout Interrupt Flag. This bit is set to 1 if either the I ² C controller cannot generate a START condition or the I ² C SCL low time has expired the timeout value specified in I2CTO register. This happens when the I ² C controller is operating in master mode and some other device on the bus is using the bus or holding SCL low for an extended period of time. This bit must be cleared to 0 by software once set. Setting this bit to 1 by software causes an interrupt if enabled.
<i>I2CST.5: I2CAMI</i>	I²C Slave Address Match Interrupt Flag. This bit is set to 1 when the I ² C controller receives an address that matches the contents in its slave address register (I2CSLA) during the address stage. This bit must be cleared to 0 by software once set. Setting this bit to 1 by software causes an interrupt if enabled.
<i>I2CST.6: I2CALI</i>	I²C Arbitration Loss Flag. This bit is set to 1 when the I ² C is configured as a master and loses in the arbitration. When the master loses arbitration, the I2CMST bit is cleared to 0. Setting this bit to 1 by hardware causes an interrupt if enabled. This bit must be cleared to 0 by software once set. This bit is set by hardware only.
<i>I2CST.7: I2CNACKI</i>	I²C NACK Interrupt Flag. This bit is set to 1 if the I ² C transmitter receives a NACK from the receiver. Setting this bit to 1 by hardware causes an interrupt if enabled. This bit must be cleared to 0 by software once set. This bit is set by hardware only.
<i>I2CST.8: I2CGCI</i>	I²C General Call Interrupt Flag. This bit is set to 1 when the general call is enabled (I2CGCEN = 1) and the general call address is received. This bit must be cleared to 0 by software once set. Setting this bit to 1 by software causes an interrupt if enabled.
<i>I2CST.9: I2CROI</i>	I²C Receiver Overrun Flag. This bit indicates a receive overrun when set to 1. This bit is set to 1 if the receiver has already received two bytes since the last CPU read. This bit is cleared to 0 by software reading the I2CBUF. Setting this bit to 1 by software causes an interrupt if enabled. Writing 0 to this bit does not clear the interrupt.
<i>I2CST.10: I2CSCL</i>	I²C SCL Status. This bit reflects the logic state of the SCL signal. This bit is set to 1 when SCL is at a logic-high (1), and cleared to 0 when SCL is at a logic-low (0). This bit is controlled by hardware and is read-only.
<i>I2CST.11: I2CSPI</i>	I²C STOP Interrupt Flag. This bit is set to 1 when a STOP condition (P) is detected. This bit must be cleared to 0 by software once set. Setting this bit to 1 by software causes an interrupt if enabled.
<i>I2CST.[13:12]: Reserved</i>	Reserved. Reads return 0.
<i>I2CST.14: I2CBUSY</i>	I²C Busy. This bit is used to indicate the current status of the I ² C module. The I2CBUSY is set to 1 when the I ² C controller is actively participating in a transaction or when it does not have control of the bus. This bit is controlled by hardware and is read only.
<i>I2CST.15: I2CBUS</i>	I²C Bus Busy. This bit is set to 1 when a START/REPEATED START condition is detected and cleared to 0 when the STOP condition is detected. This bit is reset to 0 on all forms of reset and when I2CEN = 0. This bit is controlled by hardware and is read-only.

Low-Power, Dual-Core Microcontroller

Special Function Register Bit Descriptions (continued)

I2CIE (02h, 04h) <i>Initialization:</i> <i>Read/Write Access:</i>	I²C Interrupt Enable Register (16-Bit Register) This register is cleared to 0000h on all forms of reset. Unrestricted read/write access.
<i>I2CIE.0: I2CSRIE</i>	I²C START Interrupt Enable. Setting this bit to 1 causes an interrupt to the CPU when a START condition is detected (I2CSRI = 1). Clearing this bit to 0 disables the START detection interrupt from generating.
<i>I2CIE.1: I2CTXIE</i>	I²C Transmit Complete Interrupt Enable. Setting this bit to 1 causes an interrupt to the CPU when the transmit interrupt flag is set (I2CTXI = 1). Clearing this bit to 0 disables the transmit interrupt from generating.
<i>I2CIE.2: I2CRXIE</i>	I²C Receive Ready Interrupt Enable. Setting this bit to 1 causes an interrupt to the CPU when the receive interrupt flag is set (I2CRXI = 1). Clearing this bit to 0 disables the receive interrupt from generating.
<i>I2CIE.3: I2CSTRIE</i>	I²C Clock Stretch Interrupt Enable. Setting this bit to 1 generates an interrupt to the CPU when the clock stretch interrupt flag is set (I2CSTRI = 1). Clearing this bit disables the clock stretch interrupt from generating.
<i>I2CIE.4: I2CTOIE</i>	I²C Timeout Interrupt Enable. Setting this bit to 1 causes an interrupt to the CPU when a timeout condition is detected (I2CTOI = 1). Clearing this bit to 0 disables the timeout interrupt from generating.
<i>I2CIE.5: I2CAMIE</i>	I²C Slave Address Match Interrupt Enable. Setting this bit to 1 causes an interrupt to the CPU when the I ² C controller detects an address that matches the I2CSLA value (I2CAMI = 1). Clearing this bit to 0 disables the address match interrupt from generating.
<i>I2CIE.6: I2CALIE</i>	I²C Arbitration Loss Enable. Setting this bit to 1 causes an interrupt to the CPU when the I ² C master loses in an arbitration (I2CALI = 1). Clearing this bit to 0 disables the arbitration loss interrupt from generating.
<i>I2CIE.7: I2CNACKIE</i>	I²C NACK Interrupt Enable. Setting this bit to 1 causes an interrupt to the CPU when a NACK is detected (I2CNACKI = 1). Clearing this bit to 0 disables the NACK detection interrupt from generating.
<i>I2CIE.8: I2CGCIE</i>	I²C General Call Interrupt Enable. Setting this bit to 1 generates an I2CGCI (general call interrupt) to the CPU when general call is enabled (I2CGCEN = 1). Clearing this bit to 0 disables the general call interrupt from generating.
<i>I2CIE.9: I2CROIE</i>	I²C Receiver Overrun Interrupt Enable. Setting this bit to 1 causes an interrupt to the CPU when a receiver overrun condition is detected (I2CROI = 1). Clearing this bit to 0 disables the receiver overrun detection interrupt from generating.
<i>I2CIE.10: Reserved</i>	Reserved. Reads return 0.
<i>I2CIE.11: I2CSPIE</i>	I²C STOP Interrupt Enable. Setting this bit to 1 causes an interrupt to the CPU when a STOP condition is detected (I2CSPI = 1). Clearing this bit to 0 disables the STOP detection interrupt from generating.
<i>I2CIE.[15:12]: Reserved</i>	Reserved. Reads return 0.
TB0R (04h, 04h) <i>Initialization:</i> <i>Read/Write Access:</i>	Timer B 0 Capture/Reload Value This register is cleared to 0000h on all forms of reset. Unrestricted read/write.
<i>TB0R.[15:0]:</i>	Timer B Capture/Reload Bits 15:0. This register is used to capture the TB0V value when timer B is configured in capture mode. This register is also used as the 16-bit reload value when timer B is configured in autoreload mode.

Low-Power, Dual-Core Microcontroller

Special Function Register Bit Descriptions (continued)

TBOC (05h, 04h) <i>Initialization:</i> <i>Read/Write Access:</i>	Timer B 0 Compare This register is cleared to 0000h on all forms of reset. Unrestricted read/write.
<i>TBOC.[15:0]:</i>	Timer B Compare Bits 15:0. This register is used for comparison versus the TBOV value when timer B is operated in compare mode.
SCON1 (06h, 04h) <i>Initialization:</i> <i>Read/Write Access:</i>	Serial Port 1 Control Register The serial port control is cleared to 00h on all forms of reset. Unrestricted read/write.
<i>SCON1.0: RI</i>	Receive Interrupt Flag. This bit indicates that a data byte has been received in the serial-port buffer. The bit is set at the end of the 8th bit for mode 0, after the last sample of the incoming stop bit for mode 1 subject to the value of the SM2 bit, or after the last sample of RB8 for modes 2 and 3. This bit must be cleared by software once set.
<i>SCON1.1: TI</i>	Transmit Interrupt Flag. This bit indicates that the data in the serial-port data buffer has been completely shifted out. It is set at the end of the last data bit for all modes of operation and must be cleared by software once set.
<i>SCON1.2: RB8</i>	9th Received Bit State. This bit identifies the state of the 9th bit of received data in serial-port modes 2 and 3. When SM2 is 0, it is the state of the stop bit in mode 1. This bit has no meaning in mode 0.
<i>SCON1.3: TB8</i>	9th Transmission Bit State. This bit defines the state of the 9th transmission bit in serial-port modes 2 and 3.
<i>SCON1.4: REN</i>	Receive Enable REN_1 = 0: Serial port 1 receiver disabled. REN_1 = 1: Serial port 1 receiver enabled for modes 1, 2, and 3. Initiate synchronous reception for mode 0.
<i>SCON1.5: SM2</i>	Serial Port 1 Mode Bit 2. Setting this bit in mode 1 ignores reception if an invalid stop bit is detected. Setting this bit in mode 2 or 3 enables multiprocessor communications, and prevents the RI bit from being set and the interrupt from being asserted if the 9th bit received is 0. This bit also used to support mode 0 for clock selection. SM2 = 0: clock is divided by 12. SM2 = 1: clock is divided by 4.
<i>SCON1.6: SM1</i>	Serial Port 1 Mode Bit 1
<i>SCON1.7: SM0/FE</i>	Serial Port 1 Mode Bit 0/Framing Error Flag. When FEDE is 0, this bit is SM0. When FEDE is set to 1, this bit is the FE flag that is set upon detection of an invalid stop bit. It must be cleared by software. Modification of this bit when FEDE is set has no effect on the serial mode. See the table in the SCON0.7 bit description for guidelines.
SBUF1 (07h, 04h) <i>Initialization:</i> <i>Read/Write Access:</i>	Serial Data Buffer 1 This buffer is cleared to 00h on all forms of reset. Unrestricted read/write.
<i>SBUF1.[7:0]:</i>	Serial Data Buffer 1 Bit 7:0. Data for serial port 1 is read from or written to this location. The serial transmit and receive buffers are separate but both are addressed at this location.

Low-Power, Dual-Core Microcontroller

Special Function Register Bit Descriptions (continued)

SMD1 (08h, 04h) <i>Initialization:</i> <i>Read/Write Access:</i>	Serial Port Mode Register 1 This register is cleared to 00h on all forms of reset. Unrestricted read/write.
<i>SMD1.0: FEDE</i>	Framing-Error-Detection Enable. This bit selects the function of SM0 (SCON1.7). FEDE = 0: SCON1.7 functions as SM0 for serial-port mode selection. FEDE = 1: SCON1.7 is converted to the FE flag.
<i>SMD1.1: SMOD</i>	Serial Port 1 Baud-Rate Select. The SMOD selects the final baud rate for the asynchronous mode. SMOD = 1: 16 times the baud clock for mode 1 and 3; 32 times the system clock for mode 2. SMOD = 0: 64 times the baud clock for mode 1 and 3; 64 times the system clock for mode 2.
<i>SMD1.2: ESI</i>	Enable Serial Port 1 Interrupt. Setting this bit to 1 enables interrupt requests generated by the RI or TI flags in SCON1. Clearing this bit to 0 disables the serial-port interrupt.
<i>SMD1.[7:3]: Reserved</i>	Reserved. Reads return 0.
PR1 (09h, 04h) <i>Initialization:</i> <i>Read/Write Access:</i>	Phase Register 1 The phase register is cleared to 0000h on all forms of reset. Unrestricted read/write.
<i>PR1.[15:0]:</i>	Phase Register 1 15:0. This register is used to load and read the 16-bit value in the phase register that determines the baud rate for the serial port 1.
TBOCN (0Ah, 04h) <i>Initialization:</i> <i>Read/Write Access:</i>	Timer B 0 Control This register is cleared to 0000h on all forms of reset. Unrestricted read/write.
<i>TBOCN.0: CP/RLB</i>	Capture/Reload Select. This bit determines whether the capture or reload function is used for timer B. Timer B functions in an autoreload mode following each overflow/underflow. See the TFB bit description for overflow/underflow condition. Setting this bit to 1 causes a timer B capture to occur when a falling edge is detected on TBB if EXENB is 1. Clearing this bit to 0 causes an autoreload to occur when timer B overflow or a falling edge is detected on TBB if EXENB is 1. It is not intended that the timer B compare functionality should be used when operating in capture mode.
<i>TBOCN.1: ETB</i>	Enable Timer B Interrupt. Setting this bit to 1 enables the interrupt from the timer B TFB and EXFB flags in TBOCN. In timer B clock output mode (TBOE = 1), the timer overflow flag (TFB) is still set on an overflow; however, the TBOE = 1 condition prevents this flag from causing an interrupt when ETB = 1.
<i>TBOCN.2: TRB</i>	Timer B Run Control. This bit enables timer B operation when set to 1. Clearing this bit to 0 halts timer B operation and preserves the current count in TB0V.
<i>TBOCN.3: EXENB</i>	Timer B External Enable. Setting this bit to 1 enables the capture/reload function on the TBB pin for a negative transition (in upcounting mode). A reload results in TB0V being reset to 0000h. Clearing this bit to 0 causes timer B to ignore all external events on TBB pin. When operating in autoreload mode (CP/RLB = 0) with the PWM output functionality enabled, enabling the TBB input function (EXENB = 1) allows the PWM output negative transitions to set the EXFB flag. However, no reload occurs as a result of the external negative-edge detection.
<i>TBOCN.4: DCEN</i>	Down-Count Enable. This bit, in conjunction with the TBB pin, controls the direction that timer B counts in 16-bit autoreload mode. Clearing this bit to 0 causes timer B to count up only. Setting this bit to 1 enables the up/down counting mode (i.e., it causes timer B to count up if the TBB pin is 1 and to count down if the TBB pin is 0). When timer B PWM output mode functionality is enabled along with up/down counting (DCEN = 1), the up/down count control of timer B is controlled internally based upon the count in relation to the register settings. In the compare modes, the DCEN bit controls whether the timer counts up and resets (DCEN = 0), or counts up and down (DCEN = 1).

Low-Power, Dual-Core Microcontroller

Special Function Register Bit Descriptions (continued)

MAX93108

TBOCN.5: TBOE	Timer B Output Enable. Setting this bit to 1 enables the clock output function on the TBA pin if $C/\overline{TB} = 0$. Timer B rollovers do not cause interrupts. Clearing this bit to 0 allows the TBA pin to function as either a standard port pin or a counter input for timer B.	
TBOCN.6: EXFB	External Timer B Trigger Flag. When configured as a timer ($C/\overline{TB} = 0$), a negative transition on the TBB pin causes this flag to be set if ($CP/\overline{RLB} = EXENB = 1$) or ($CP/\overline{RLB} = DCEN = 0$ and $EXENB = 1$) or ($CP/\overline{RLB} = 0$ and $EXENB = 1$ and $TBCS:TBCR <> 00b$). When configured in any of these ways, this flag can be set independent of the state of the TRB bit (e.g., EXFB can still be set on detection of a negative edge when $TRB = 0$). When $CP/\overline{RLB} = 0$ and $DCEN = 1$ and $TBCS:TBCR = 00b$, EXFB toggles whenever timer B underflows or overflows. An overflow/underflow condition is the same as described in the TFB bit description. In this mode, EXFB can be used as the 17th timer bit and does not cause an interrupt. If set by a negative transition, this flag must be cleared by software. Setting this bit to 1 forces a timer interrupt if enabled.	
TBOCN.7: TFB	Timer B Overflow Flag. This bit is set when timer B overflows from TBR or the count is equal to 0000h in down-count mode. It must be cleared by software.	
TBOCN.[10:8]: TBPS[2:0]	Timer B Clock Prescaler Bits 2:0. The TBPS[2:0] bits select the clock prescaler applied to the system clock input to timer B. The TBPS[2:0] bits should be configured by the user when the timer is stopped ($TRB = 0$). While hardware does not prevent changing the TBPS[2:0] bits when the timer is running, the resultant behavior is indeterministic. Timer B Clock = System Clock/ $2^{(2 \times TBPS[2:0])}$	
	TBPS[2:0]	TIMER B INPUT CLOCK
	000	Sysclk/1
	001	Sysclk/4
	010	Sysclk/16
	011	Sysclk/64
	100	Sysclk/256
	101	Sysclk/1024
11x	Sysclk/1	
TBOCN.11: TBCR	TBB Pin Output Reset Mode	
TBOCN.12: TBCS	TBB Pin Output Set Mode. These mode bits define whether the PWM-mode output function is enabled on the TBB pin, the initial output starting state, and what compare-mode output function is in effect. Note that the TBB pin still has certain input functionality when the PWM output function is enabled.	
TBOCN.[14:13]: Reserved	Reserved. Reads return 0.	
TBOCN.15: C/TB	Counter/Timer Select. This bit determines whether timer B functions as a timer or counter. Setting this bit to 1 causes timer B to count negative transitions on the TBA pin. Clearing this bit to 0 causes timer B to function as a timer. The speed of timer B is determined by the TBPS[2:0] bits of TBOCN.	
TBOV (0Bh, 04h) Initialization: Read/Write Access:	Timer B 0 Value This register is cleared to 0000h on all forms of reset. Unrestricted read/write.	
TBOV.[15:0]:	Timer B Value Bits 15:0. This register is used to load and read the 16-bit timer B value.	

Low-Power, Dual-Core Microcontroller

Special Function Register Bit Descriptions (continued)

I2CCN (0Ch, 04h) <i>Initialization:</i> <i>Read/Write Access:</i>	I²C Control Register (16-Bit Register) This register is cleared to 0000h on all forms of reset. The I2CSTART and I2CSTOP bits are reset to 0 when I2CMST = 0 or when I2CEN = 0. I2CSTART and I2CSTOP are mutually exclusive operations. User software can only set one of these bits at any given time. I2CRST is reset to 0 when I2CEN = 0. Unrestricted read. Unrestricted write access when I2CBUSY = 0. Writes to I2CMST, I2CMODE are ignored when I2CBUSY = 1. Writes to I2CEN are normally disabled when I2CBUSY = 1. However, when I2CRST = 1, I2CEN can be written to even when I2CBUSY = 1. Writes to I2CACK are ignored when I2CRST = 1.
I2CCN.0: I2CEN	I²C Enable. This bit enables the I ² C function. When set to 1, the I ² C communication unit is enabled. When cleared to 0, the I ² C function is disabled.
I2CCN.1: I2CMST	I²C Master Mode Enable. The I2CMST bit functions as a master mode enable bit for the I ² C module. When the I2CMST bit is set to 1, the I ² C operates as a master. When the I2CMST is cleared to 0, the I ² C module operates in slave mode. This bit is automatically cleared whenever the I ² C controller receives a slave address match (I2CAML = 1), loses arbitration (I2CALI = 1), or receives a general call (I2CGCI = 1).
I2CCN.2: I2CMODE	I²C Transfer Mode. The transfer mode bit selects the direction of data transfer with respect to the master. When the I2CMODE bit is set to 1, the master is operating in receiver mode (reading from slave). When the I2CMODE bit is cleared to 0, the master is operating in transmitter mode (writing to slave). Note that software writing to this bit is prohibited in slave mode. When operating in master mode, software configures this bit to the desired direction of data transfer. When operating in slave mode, the direction of data transfer is determined by the R/W bit received during the address stage and this bit reflects the actual R/W bit value in the current transfer and is set by hardware. Software writing to this bit in slave mode is ignored.
I2CCN.3: Reserved	Reserved. Do not write a 1 to this location. Functionally, this is the I2CEA bit, however, there are problems with the I ² C extended addressing mode.
I2CCN.4: I2CSTRS	I²C Clock Stretch Select. Setting this bit to 1 enables clock stretching after the falling edge of the 8th clock cycle. Clearing this bit to 0 enables clock stretching after the falling edge of the 9th clock cycle. This bit has no effect when clock stretching is disabled (I2CSTREN = 0).
I2CCN.5: I2CACK	I²C Data Acknowledge Bit. This bit selects the acknowledge bit returned by the I ² C controller while acting as a receiver. Setting this bit to 1 generates a NACK (leaving SDA high). Clearing the I2CACK bit to 0 generates an ACK (pulling SDA LOW) during the acknowledgement cycle. This bit retains its value unless changed by software or hardware. When an I ² C abort is in progress (I2CRST = 1), this bit is set to 1 by hardware and software writes to this bit are ignored when I2CRST = 1.
I2CCN.6: I2CSTART	I²C START Enable. Setting this bit automatically generates a START condition when the bus is free or generates a repeated START condition during a transfer where the I ² C module is operating as the master. This bit is automatically self-cleared to 0 after the START condition has been generated. If the I ² C START interrupt is enabled, a START condition generates an interrupt to the CPU. In master mode, setting this bit could also start the timeout timer if enabled. If the timeout timer expires before the START condition can be generated, a timeout interrupt is generated to the CPU if enabled. The I2CSTART bit is also cleared to 0 by the timeout event. Note that this bit has no effect when the I ² C is operating in slave mode (I2CMST = 0) and is reset to 0 when I2CMST = 0 or I2CEN = 0. Also, the I2CSTART and I2CSTOP are mutually exclusive. If both bits are set at the same time, it is considered as an invalid operation and the I ² C controller ignores the request and resets both bits to 0. Setting the I2CSTART bit to 1 while I2CSTOP = 1 is an invalid operation and is ignored, leaving the I2CSTART bit cleared to 0.

Low-Power, Dual-Core Microcontroller

Special Function Register Bit Descriptions (continued)

MAXQ3108

<i>I2CCN.7: I2CSTOP</i>	<p>I²C STOP Enable. Setting this bit to 1 generates a STOP condition. This bit is automatically self-cleared to 0 after the STOP condition has been generated. In master mode, setting this bit could also start the timeout timer if enabled. If the timeout timer expires before the STOP condition can be generated, a timeout interrupt is generated to the CPU if enabled. The I2CSTOP bit is also cleared to 0 by the timeout event.</p> <p>Note that this bit has no effect when the I²C is operating in slave mode (I2CMST = 0) and is reset to 0 when I2CMST = 0 or I2CEN = 0. Setting the I2CSTOP bit to 1 while I2CSTART = 1 is an invalid operation and is ignored, leaving the I2CSTOP bit cleared to 0.</p>
<i>I2CCN.8: I2CGCEN</i>	<p>I²C General Call Enable. Setting this bit to 1 enables the I²C bus to respond to a general call address (address = 0000 0000). Clearing this bit to 0 disables the response to a general call address.</p>
<i>I2CCN.9: I2CSTREN</i>	<p>I²C Clock Stretch Enable. Setting this bit to 1 stretches the clock (hold SCL low) at the end of the clock cycle specified in I2CSTRS. Clearing this bit disables clock stretching.</p>
<i>I2CCN.[14:10]: Reserved</i>	<p>Reserved. Reads return 0.</p>
<i>I2CCN.15: I2CRST</i>	<p>I²C Reset. Setting this bit to 1 aborts the current transaction and resets the I²C controller. This bit is set to 1 by software and is only cleared to 0 by hardware after the reset or when I2CEN = 0.</p>
<p>I2CCK (0Dh, 04h) <i>Initialization:</i> <i>Read/Write Access:</i></p>	<p>I²C Clock Control Register (16-Bit Register) This register is set to 0204h on all forms of reset. Unrestricted read. Write to this register is allowed only when I2CBUSY = 0. This register has no function when operating in slave mode and the clock generation circuitry should be disabled.</p>
<i>I2CCK.[7:0]: I2CCKL[7:0]</i>	<p>I²C Clock Low Bits 7:0. These bits define the I²C SCL low period in a number of system clocks, with bit 7 as the most significant bit. The duration of SCL low time is calculated using the following equation:</p> $\text{I}^2\text{C Low Time Period} = \text{System Clock} \times (\text{I2CCKL}[7:0] + 1)$ <p>When operating in master mode, the I2CCKL must be set to a minimum value of four to ensure proper operation. Any value less than four is set to four.</p>
<i>I2CCK.[15:8]: I2CCKH[7:0]</i>	<p>I²C Clock High Bits 7:0. These bits define the I²C SCL high period in a number of system clocks, with bit 7 as the most significant bit. The duration of SCL high time is calculated using the following equation:</p> $\text{I}^2\text{C High Time Period} = \text{System Clock} \times (\text{I2CCKH}[7:0] + 1)$ <p>When operating in master mode, the I2CCKH must be set to a minimum value of two to ensure proper operation. Any value less than two is set to two.</p>

Low-Power, Dual-Core Microcontroller

Special Function Register Bit Descriptions (continued)

I2CTO (0Eh, 04h) <i>Initialization:</i> <i>Read/Write Access:</i>	I²C Timeout Register (8-Bit Register) This register is cleared to 00h on all forms of reset. Unrestricted read/write access.
<i>I2CTO.[7:0]:</i>	I²C Timeout Register Bits 7:0. This register is used only in master mode. This register determines the number of I ² C bit periods (SCL high + SCL low) the I ² C master will wait for SCL to go high. The timeout timer resets to 0 and starts to count after the I2CSTART bit is set or every time the SCL goes low. When cleared to 00h, the timeout function is disabled and the I ² C waits for SCL to go high indefinitely during a transmission. When set to any other values, the I ² C waits until the timeout expires and sets the I2CTOI flag. $\text{I}^2\text{C Timeout} = \text{I}^2\text{C Bit Rate} \times (\text{I2CTO}[7:0] + 1)$ Note that these bits have no effect when the I ² C module is operating in slave mode (I2CMST = 0). When operating in slave mode, SCL is controlled by an external master.
I2CSLA (0Fh, 04h) <i>Initialization:</i> <i>Read/Write Access:</i>	I²C Slave Address Register (16-Bit Register) This register is cleared to 0000h on all forms of reset. Unrestricted read/write access.
<i>I2CSLA.[9:0]:</i>	I²C Slave Address Register Bits 9:0. These address bits contain the address of the I ² C device. When a match to this address is detected, the I ² C controller automatically acknowledges the transmitter with the I2CACK bit value if the I ² C module is enabled (I2CEN = 1). The I2CAMI flag is set to 1 and the I2CMST bit is cleared to 0. An interrupt is generated to the CPU if enabled.
<i>I2CSLA.[15:10]: Reserved</i>	Reserved. Reads return 0.

Peripherals

This section contains detailed descriptions for each peripheral device, however, many of the peripherals are described in detail in the *MAXQ Family User's Guide*.

Pins

Most of the peripheral devices on the MAXQ3108 require connections to other components. To minimize the pin count, some peripherals share pins with other peripherals. Obviously, only one peripheral can drive a pin at any given time. Table 5 provides information on how to use these multipurpose pins.

Table 5. Multipurpose Pin Description

PIN	PRIMARY	SECONDARY	TERTIARY	COMMENT
1	P2.0	MDIN2P	MOSI	Do not enable both Manchester decoder 2 and SPI at the same time. If neither is enabled, the GPIO port function is used.
2	P0.0	TXD0	INT0	Transmit data is only presented to the pin when a character is actually being transmitted. To use this pin as full-time transmit data, set the GPIO port pin to output and load a 1 in the output register. Do not enable an interrupt on this pin if it is used for the serial transmit function.
3	P0.1	RXD0	INT1	Receive data function is only operational when the associated REN bit is set in the SCON0 register. Do not enable an interrupt on this pin if it is used for the serial receive function.
4	P0.2	MDIN1N	T2P	Do not enable outputs or clock gating on timer 2 when Manchester decoder 1 is enabled. Also, do not enable INT2 when Manchester decoder 1 is enabled or clock gating is used on timer 2.

Low-Power, Dual-Core Microcontroller

Table 5. Multipurpose Pin Description (continued)

PIN	PRIMARY	SECONDARY	TERTIARY	COMMENT
5	P0.3	MDIN1P	T2PB	Do not enable outputs or clock gating on timer 2 when Manchester decoder 1 is enabled. Also, do not enable INT3 when Manchester decoder 1 is enabled or clock gating is used on timer 2.
6	P0.4	SDA	INT4	Do not enable INT4 when the I ² C peripheral is in use.
7	P0.5	SCL	INT5	Do not enable INT5 when the I ² C peripheral is in use.
8	P2.5	CF1	—	Enabling pulse output 1 disables GPIO-port function on this port.
9	P2.6	CF2	—	Enabling pulse output 2 disables GPIO-port function on this port.
10	P1.0	TMS	INT8	When JTAG is in use, port pin 1.0 is unavailable. Do not enable INT8 when JTAG is active.
11	P1.1	TCK	INT9	When JTAG is in use, port pin 1.1 is unavailable. Do not enable INT9 when JTAG is active.
12	P1.2	TDI	INT10	When JTAG is in use, port pin 1.2 is unavailable. Do not enable INT10 when JTAG is active.
13	P1.3	TDO	SQW	When JTAG is in use, port pin 1.3 and the SQW function are unavailable. Do not enable INT11 when either JTAG or the SQW function is active.
14	P1.4	TBB	—	When using TBB as an input, P1.4 must be configured as an input.
18	P1.5	TBA	—	When using TBA as either an input or output, P1.5 must be configured as an input.
22	P0.7	RXD1	INT7	Receive data function is only operational when the associated REN bit is set in the SCON1 register. Do not enable an interrupt on this pin if it is used for the serial receive function.
23	P0.6	TXD1	INT6	Transmit data is only presented to the pin when a character is actually being transmitted. To use this pin as full-time transmit data, set the GPIO port pin to output and load a 1 in the output register. Do not enable an interrupt on this pin if it is used for the serial transmit function.
24	P1.6	$\overline{\text{RST}}$	—	This is an active-low reset pin. Driving a low level on P1.6 causes the MAXQ3108 to reset. The reset function on this pin can be disabled by setting RSTD to 1.
25	P2.4	MDIN0P	—	When Manchester decoder 0 is enabled, set P2.4 as an input.
26	P2.3	MDIN0N	$\overline{\text{SSEL}}$	When using Manchester decoder 0, disable SPI and set P2.3 as an input.
27	P2.2	SCLK	CLKO	When CLKO (system clock for the CPU core) is enabled (that is, the ECLKO bit is set), the SPI peripheral cannot be used.
28	P2.1	MDIN2N	MISO	When the Manchester decoder 2 is used, the SPI peripheral cannot be used. The P2.1 port pin should be set to an input when using Manchester decoder 2.

Clock

All functional units in the MAXQ3108 are synchronized to the system clock. The system clock can be generated from an internal oscillator with a 32,768Hz external crystal/resonator or an internal FLL oscillator. The basic unit of time in the MAXQ3108 is the system clock period. The UserCore receives a system clock that is one-

half the internal clock frequency. The Manchester decoders, cubic sinc filters, and the DSPCore all receive the undivided system clock.

The internal clock circuitry generates the system clock from one of the two clock sources:

- Internal oscillator with a 32,768Hz external crystal or resonator

Low-Power, Dual-Core Microcontroller

- Internal FLL, optionally driven by the 32,768Hz external crystal or resonator

The 32,768Hz external crystal provides the clock reference for functional units that require a fixed frequency. When the 32,768Hz clock reference is used directly as the system clock, the MAXQ3108 is operating in power-saving mode.

When not operating in power-saving mode, the MAXQ3108 receives its clock from the FLL. Because the MAXQ3108 has no way to receive a high-frequency clock from an external crystal or other source, the FLL is the only source of a high-frequency clock.

The FLL must be selected as the clock source for normal operation. This selection is made through the FLLSL bit. The FLLSL bit controls selection of the internal FLL oscillator for system clock generation. When FLLSL = 1, the internal FLL oscillator is used for system clock generation. The FLLSL bit is read/write accessible at any time and defaults to logic 0 on power-on reset only. **One of the first tasks user software should perform is to set the FLLSL bit to 1.**

During a power-on reset, the 32,768Hz crystal amplifier is automatically enabled. To disable the internal crystal amplifier, the RCNT.X32D bit must be set to 1. Once the 32,768Hz crystal amplifier is enabled, 250ms is required for it to warm up. The RCNT.32KRDY bit is set to 1 once the 32,768Hz amplifier has been given sufficient time to warm up.

32,768Hz Crystal Oscillator

The external 32K clock source can operate in different modes according to the setting of the 32K mode bits (RCNT.32KMD). In normal operation, the 32K oscillator is operating in the noise immune mode (32KMD = 00), which is more tolerant to system noise. If the system is operating in a very quiet environment, the oscillator can be switched to quiet mode (32KMD = 01) with reduced current consumption. Note that in this mode, the oscillator is subject to system noise and may not be desirable for very accurate timing requirement.

For applications where low stop-mode current is desired, there is an option to invoke the quiet mode operation during stop mode. When 32KMD = 1x, the quiet mode is invoked on entry to stop mode. If 32KMD = 10 and 32K is enabled (X32D = 0), the CPU is held in stop mode until the 32K oscillator has warmed up (32KRDY = 1). If 32KMD = 11, the CPU starts execution from the selected clock source after the required FLL cycles requirement, in parallel with the oscillator warmup (transition from quiet mode to noise immune mode).

When the 32K input is enabled (X32D = 0), changes of the 32KMD bits reset the 32KRDY bit if the 32K circuitry is already opening in the quiet mode and the new setting requires to change to noise immune mode. When the oscillator is operating in quiet mode, no warmup time is required and, therefore, 32KRDY is always set to 1. If the operation mode is changed to noise immune mode from the quiet mode, the 32KRDY bit is reset to 0. The 32KRDY bit is set to 1 after the necessary warmup time requirement.

Frequency-Locked Loop (FLL)

The internal FLL offers the least expensive solution for clock generation. The FLL provides a maximum frequency of 306 times the CX1 input clock (32.768kHz x 306 = 10.027MHz) with $\pm 5\%$ when locked with 32.768kHz quartz crystal source. The lock period for the FLL is about 64 cycles of the CX1 input clock (approximately 2ms).

Controlling the FLL: The FLL has a lock-enable bit (FLEN) to initiate the locking mechanism to the 32K input source. The FLOCK bit indicates to the user that the FLL is locked and ready to be used. The FLL has a short warmup period where the FLL is running but is not locked. The FLOCK bit indicates that the FLL is running and locked to the CX1 input. The FLL oscillator clock is divided down according to the PMME.

Internal clocks are generated directly from the system clock. Normally, the system clock is sourced from one of the two clock sources. The effect of the PMME and CD bits on the system clock in the MAXQ3108 is summarized in Table 6.

When the 32,768Hz clock is selected as the system clock source (PMME, CD1, CD0 = 111b), the system is running at PMM2 mode and all functional units are running synchronously. In this mode of operation, the high-frequency clock source is turned off to save power if the switchback function is not enabled (SWB = 0) unless the DSPCore is enabled; if the switchback is enabled (SWB = 1), the high-frequency clock source is not turned off (see the PMME bit description for more information). Note that debug mode does not work with PMM2 mode since switchback does not occur fast enough to guarantee proper operation.

Power Conservation

The MAXQ3108 incorporates power-management features that support low-power operation with three power-saving modes. Features include startup timer, internal FLL oscillator, and switchback function.

The MAXQ3108 was developed for low-power applications and has three different levels of power-saving

Low-Power, Dual-Core Microcontroller

Table 6. MAXQ3108 Clock Divisors

PMME	CD[1:0]	DIVIDE RATIO	CLOCK SOURCE
0	00	1 (default)	FLLSL
0	01	2	FLLSL
0	10	4	FLLSL
0	11	8	FLLSL
1	00	256	FLLSL
1	01	Reserved (256)	FLLSL
1	10	Reserved (256)	FLLSL
1	11	1	CX1

modes. The two power-management modes reduce speed and power consumption by either internally dividing the clock signal by 256 or using the 32kHz clock directly. The stop mode stops all internal clocks (with the exception of the 32kHz crystal amplifier) resulting in a static condition and providing the lowest power state.

The power supervisor monitors the V_{DD} level when power is first applied to the device and generates a power-on reset when the voltage reaches an acceptable level, and following the 65,536 FLL cycle power-up period.

The power-on reset initializes the processor and allows program execution at the reset vector location of 8000h. The power-on reset flag, POR, is set to logic 1 to indicate a power-on reset has occurred; the POR flag can only be cleared by software.

Power-Management Mode

Power-management mode (PMM) allows application software to dynamically match operating frequency with the need for lower operating power when full processing throughput is not required. When power-management mode 1 (PMM1) is used, the system clock is divided by 256, resulting in a user core clock rate of 19.584kHz. When power-management mode 2 (PMM2) is used, the system clock is driven directly by the 32,768Hz clock source resulting in a user core clock of 16.384kHz.

PMM reduces operating power by minimizing power loss due to CMOS switching transients. PMM is invoked by setting the PMM enable bit (PMME). The PMME bit defaults to 0 on all forms of reset.

When the system is operated in PMM2 mode, the high-frequency clock is disabled unless the switchback is active or the DSPCore is enabled. Refer to the PMME bit description in the *MAXQ Family User's Guide* for more information.

Switchback

The switchback feature allows low-power operation associated with PMM, but maintains quick response to events that require full processing capacity. The switchback function is enabled by setting the SWB bit to logic 1. When operating in a PMM mode and the SWB bit is enabled, the system restores the clock settings that were active when PMM was invoked whenever the system detects a qualified event.

The automatic switchback is only enabled when PMM is in use. Switchback to the high-frequency clock occurs whenever any of these conditions occur:

- Detection of a selected edge transition on any of the external interrupts when the respective pin has interrupts enabled.
- UART activity:
 - When the serial port is enabled to receive data and a transition occurs on the receive input pin (for mode 1, 2, and 3).
 - After a write access to the SBUF register.
- SPI activity:
 - SPIB is written in master mode (STBY = 1).
 - The \overline{SSEL} signal is asserted in slave mode.
- Time-of-day alarm or subsecond alarm from the RTC when enabled.
- I²C activity:
 - Start interrupt when enabled (I2CSRIE = 1).
 - A write to the I2CSTART bit when the I²C controller is in master mode (I2CMST = 1).
- SVM interrupt if enabled (SVMIE = 1).
- Changing the value of ADCONV from 0 to 1.
- Active debug mode is entered either by breakpoint match or issuance of the debug command from background mode.

Low-Power, Dual-Core Microcontroller

Since PMM is incompatible with any operation that requires a precise clock (for example, baud-rate generation), attempts to set the PMME bit while such operations are active will fail.

Note that when switchback is enabled in PMM2 mode, the high-frequency clock (the FLL) continues to run to support the switchback operation.

Stop Mode

The stop-mode bit is only implemented for the MAXQ3108 UserCore (the DSPCore does not support stop mode). Stop mode disables all circuits within the processor except the 32,768Hz crystal amplifier and any circuitry that is directly clocked by the 32,768Hz oscillator. All other on-chip clocks, timers, and serial port communication are stopped, and no processing is possible. Once in stop mode, the device is in a static state, its power consumption primarily dominated by leakage current.

Stop mode is invoked by setting the STOP bit to logic 1. The processor enters the stop mode on the instruction that sets the STOP bit. Entering the stop mode does not affect the setting of the clock control bits, allowing the system to return to its original operating frequency after stop mode is exited. If reset ends stop mode, the clock generation logic is returned to its default condition.

The processor can exit stop mode through the following:

- By using any of the external interrupts that are enabled.
- By external reset through the $\overline{\text{RST}}$ pin.
- By the time-of-day alarm or subsecond alarm from the RTC.
- By the I²C start interrupt if enabled (I2CSRIE = 1 and I2CEN = 1).
- By the SVM interrupt if enabled (SVMIE = 1).

When stop mode is exited, the processor resumes its normal execution. When the UserCore invokes stop mode, the DSPCore is disabled in hardware. This means that on any exit from stop mode, the DSP must be reconfigured and reenabled if this functionality is desired. This also means that user code may need to handle an interrupt source differently depending on whether it occurs while both CPUs are running or whether it removes stop mode.

Idle Mode

Idle mode is only implemented for the MAXQ3108 DSPCore (not the UserCore). Idle mode suspends the processor by holding the instruction pointer (IP) in a static state. No instructions are fetched and no processing occurs. Setting the IDLE bit to logic 1 invokes

the idle mode. The instruction that executes this step is the last instruction prior to freezing the program counter. Once in idle mode, all resources are preserved and clocks remain active to enabled peripherals so the processor can exit the idle state using any of the interrupt sources that are enabled. Note that the only interrupts associated with the DSPCore (i.e., those that can remove idle mode) are master request (from UserCore), and ADC output buffer interrupts. The IDLE bit is cleared automatically once the idle state is exited; allowing the processor to execute the instruction at the corresponding interrupt vector address. Upon returning from the interrupt vector, the processor executes the instruction that immediately follows the one that set the IDLE bit. Resetting the processor also removes the idle mode. Reset places the processor in a reset state and clears the IDLE bit. The DSPCore reset state could result from a global system reset or from clearing of the ENDSP bit by the UserCore.

Reset

The MAXQ3108 has four ways of entering a reset state:

- Power-on reset
- Watchdog timer reset
- External reset
- Internal system reset

Regardless of the reset source, the state of the MAXQ3108 is the same while in reset. When in reset, the oscillator/FLL oscillator is running, but no program execution is allowed. When the reset source is external, the user must remove the reset stimulus. When power is applied to the device, the power-on delay removes the stimulus automatically.

Power-On Reset/Brownout Reset Generation

The MAXQ3108 incorporates an internal voltage reference and comparator in order to monitor V_{DD} and hold the device in reset if the supply is out of tolerance. Once V_{DD} has risen above the threshold, the MAXQ3108 generates a power-on reset, starts the internal FLL, and counts 65,536 FLL cycles (POR delay) before program execution begins at location 8000h. The power monitor invokes the reset state whenever the supply drops below the POR threshold. This reset condition remains until the supply voltage is above the minimum operating voltage level. When power returns above the reset threshold, a full power-on reset is performed. Thus, a brownout that causes V_{DD} to drop below the minimum voltage appears the same as a power-up.

The MAXQ3108 provides a brownout detect/reset function. Brownout detection is always enabled during

Low-Power, Dual-Core Microcontroller

active mode. The power monitor invokes a brownout reset state to halt program execution when V_{DD} drops below the threshold condition. This ensures that the microcontroller is safely placed into a reset state whenever $V_{DD} < V_{RST}$, thus preventing possible code execution while the supply voltage is too low. When power returns above the reset threshold, and once the internal POR delay (65,536 FLL cycles) is satisfied, the device is initialized just as though power was removed and reapplied.

The processor exits the reset condition automatically once V_{DD} meets the minimum voltage requirement. Software can determine that a power-on reset has occurred by checking the power-on reset (POR) flag in the WDCN register. Software should clear the POR bit after reading it.

The brownout detect function can be disabled during stop mode using the brownout disable (BOD) bit in the PWCN register. The POR default state for the BOD bit is 0, which enables the brownout detect function during stop mode. If brownout detection is disabled during stop mode, the circuitry responsible for detecting a brownout condition is shut down and the $V_{DD} < V_{RST}$ condition does not invoke the reset state. Since functionality of the device is not guaranteed when $V_{DD} < V_{RST}$, it is the responsibility of the user to ensure that the supply voltage is above the minimum operating voltage range (V_{RST}) defined for the device when exiting stop mode.

Watchdog Timer Reset

The watchdog timer is a free-running programmable timer. The watchdog supervises the processor operation by requiring software to clear the timer counter before the timeout expires. If the timer is enabled and software fails to clear it before this interval expires, the device is placed into a reset state. The reset state maintains for nine system clock cycles. Once the reset is removed, the processor resumes execution at address 8000h. Software can determine if a reset is caused by a watchdog timeout by checking the watchdog timer reset flag, WTRF, in the WDCN register. This flag must be cleared by software.

External Reset

If the \overline{RST} input is taken to logic 0, the device is forced into a reset state. An external reset is accomplished by holding the \overline{RST} pin low at least four clock cycles while the oscillator/FLL oscillator is running. Once the reset state is invoked, it is maintained as long as \overline{RST} is pulled to logic 0. When the \overline{RST} pin is released to return to a high state, the processor exits the reset state within

12 clock cycles and begins execution at address 8000h.

If a reset state is applied while the processor is in stop mode, the reset causes the processor to exit the stop mode and forces the program counter to 8000h.

Reset Input Pin Disable

The external reset (\overline{RST}) pin function on the MAXQ3108 can be disabled by user application code. The power-on-reset default condition is for the \overline{RST} pin to be enabled. Some applications, however, may not use the reset input function or may use the alternate function assigned to the pin. The reset function on the external pin can be disabled by setting the RSTD bit of the PWCN register to a logic 1. Since the POR default condition for the device results in the \overline{RST} function being enabled on the pin, users should be cautioned that holding the pin low on power-up prevents exiting of the reset state and the ability to execute the code necessary to disable the \overline{RST} function. When the reset function is enabled on the \overline{RST} pin, user code can generate a reset by writing a 0 to the port pin.

Peripheral Devices

GPIO Ports

The MAXQ3108 contains three GPIO ports: P0, P1, and P2. Internally, each of these ports is 8 bits wide; however, not all bits of all ports are connected to pins. Port P0 exposes bits 0 to 7, port P1 exposes bits 0 to 6, and port P2 exposes bits 0 to 5. Writes to unused bits have no effect. Reads from unused bits could be in an indeterminate state.

For information on using GPIO ports, refer to Section 6 of the *MAXQ Family User's Guide*.

UARTs

The MAXQ3108 contains two UARTs (universal synchronous/asynchronous receiver/transmitters). Most often, these are used as standard asynchronous serial ports for console applications; however, they are quite flexible and can be used in a variety of ways.

Each port can be configured through the control register (SCONx) and the mode register (SMDx). The baud rate is established by programming an appropriate value in the phase register (PRx). Finally, communication is performed by writing and reading the buffer register (SBUFx).

Details on using these ports can be found in Section 10 of the *MAXQ Family User's Guide*. Note that the multi-processor support mentioned in this document is **not** supported by the serial ports implemented in the MAXQ3108.

Low-Power, Dual-Core Microcontroller

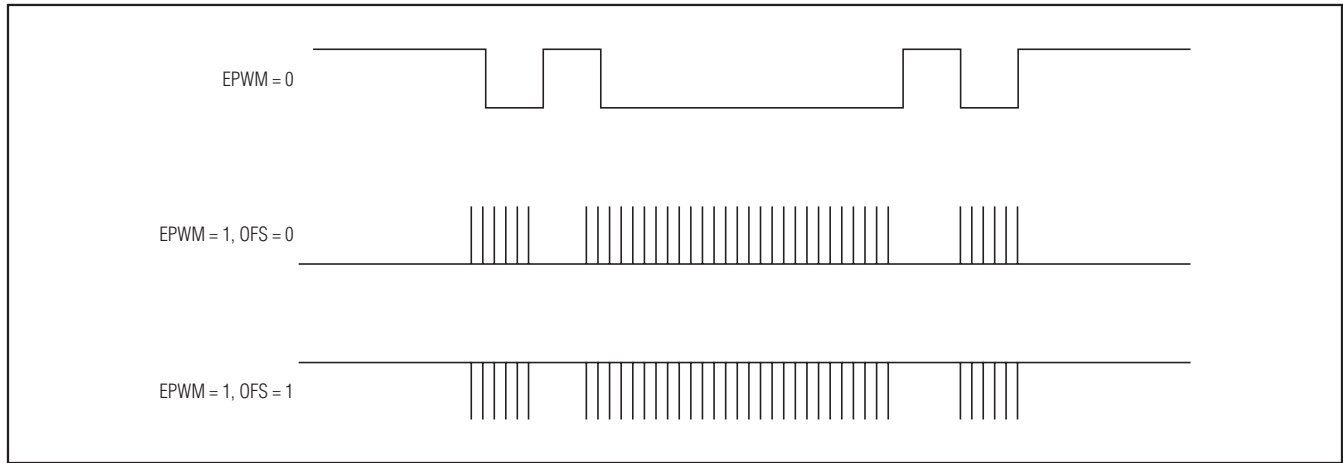


Figure 2. IR Option on UART 0

Infrared Support

UART channel 0 on the MAXQ3108 contains a special feature that eases its use with some infrared communication systems. In these systems, an asynchronous serial signal is used to on-off modulate a high-frequency carrier signal. This modulated carrier is then used to further modulate an IR beam. Because of the popularity of infrared remote controls, the receivers for this sort of modulated signal are readily available and inexpensive.

Signal Description: To convert an asynchronous signal into a signal suitable for IR transmission, the modulated IR beam is typically turned on during “0” bit times, and is turned off during “1” bit times. For conventional serial data, this means that the IR beam is on only when data is actually being transmitted, and is off at all other times. See Figure 2.

Because drivers for the IR LED used as a transmitter vary, there are two additional bits in the SMD0 register to configure the output signal. The first is the EPWM bit. When set, the output of the lower half of timer 2 is mixed with the transmitted serial data signal. The resulting waveform has the output frequency from the timer when the data signal is low, and has either a low or high level when the data signal is high.

The state of the output when the serial data signal is high is set by the OFS bit in the SMD0 register. When the OFS bit is 0, the TxD0 pin is low when the serial data signal is high; when the OFS bit is 1, the TxD0 pin is high when the serial data signal is high.

The carrier frequency is generated by the low half of timer 2 configured as two 8-bit timers. See the *Timer 2* and *Timer B* sections for more information about configuring this timer.

SPI

The MAXQ3108 contains an SPI peripheral that can be configured as either a master or a slave. For information on the SPI peripheral, refer to Section 11 of the *MAXQ Family User's Guide*. Note that the SPI peripheral is not available when the ADC channels are used, since they share pins.

I²C Interface

The MAXQ3108 contains an I²C peripheral. The I²C bus is an 8-bit, bidirectional, 2-wire serial bus interface with the following characteristics:

- Compliant with Philips Semiconductor I²C bus specification version 2.1 (2000).
- Information is transferred through a serial data bus (SDA) and a serial clock line (SCL).
- Operates in either master or slave mode as transmitter or receiver.
- Supports a multimaster environment.
- Supports 7-bit and 10-bit addressing modes.
- Data transfer rate of up to 100kbps in standard mode and up to 400kbps in fast mode.
- On-chip filtering rejects spikes on the bus data line to preserve data integrity.
- Supports maximum bus capacitance of 400pF.

A transfer sequence, in its simplest form, is composed of a START bit (S), the slave address, a R/W bit, and an address-acknowledge bit (A) followed by data, a data-acknowledge bit (A), and a STOP bit (P). One party, the master, initiates the sequence and governs the timing.

Low-Power, Dual-Core Microcontroller

The other party, the slave, recognizes its address and responds by accepting data or delivering data. A data transfer sequence can be grouped into the following stages:

- **START:** The master generates the START condition (S) by pulling SDA low (high-to-low transition) while holding SCL high.
- **Address:** The master transmits the address of the slave device, together with the direction of data transfer (R/W).
- **Address Acknowledge:** The slave with the matching address responds to the master by holding SDA low during the 9th clock SCL high (A).
- **Data:** The transmitter sends data to the receiver. The number of bytes of data is unlimited. However, each data byte must be followed by a data-acknowledge bit (A).
- **Data Acknowledge:** The receiver acknowledges to the transmitter by sending the acknowledge bit (A). If the master is the receiver and the data just received is the last byte expected, the master leaves SDA high to signal to the slave transmitter that the last byte of expected data is transmitted. The slave transmitter then releases SDA after the 9th clock so that the master can generate a STOP or START condition.
- **STOP:** The master concludes the transfer by sending the STOP condition (P) by causing a low-to-high transition on SDA while SCL is high. The I²C bus is now idle.

The MAXQ3108 I²C peripheral uses seven registers to manage I²C bus communication:

- **I2CBUF:** The buffer register through which all out-bound data is written, and through which all inbound data is received.
- **I2CCK:** The I²C clock register defines the high and low periods for the SCL signal.
- **I2CCN:** The control register manages the I²C peripheral during configuration and operation.
- **I2CST:** The status register contains bits that reflect the condition of the I²C peripheral. It is consulted frequently during I²C operation.
- **I2CIE:** The interrupt enable register is used to manage interrupt sources within the I²C peripheral.
- **I2CTO:** The timeout register defines how long a slave can extend the I²C clock before the peripheral declares a timeout.
- **I2CSLA:** Establishes the slave address for the I²C peripheral.

I²C Use Scenario: MAXQ3108 Master Sends 2 Bytes to Slave

- 1) Set the I2CEN and I2CMST bits in the I2CCN register. This enables the I²C peripheral and establishes the MAXQ3108 as master.
- 2) Set the I2CSTART bit in the I2CCN register. This causes the MAXQ3108 to send the START sequence. When the START condition has been sent (and both SDA and SCL are low), the I2CSTART bit is cleared. Note that the I2CSRI bit is set in the I2CST register as well. That is because the I²C peripheral sees its own START condition.
- 3) Load the command byte into I2CBUF. The command byte consists of the slave address and the R/W bit. For this example, assume we wish to write to slave address 0x30. The byte to be loaded in this case is 0x60: the address shifted up by one position and bit 0 (the R/W bit) set to 0.
- 4) Monitor the I2CTXI flag in the I2CST register. When set, the I²C peripheral has finished sending the command byte and has received an ACK or a NAK from the remote device. Check the I2CNACKI flag in the I2CST register to determine if an ACK or a NAK was received. If set, the command was not acknowledged. Clear these bits after they are tested.
- 5) Load the first data byte into I2CBUF.
- 6) Monitor the I2CTXI flag in the I2CST register. When set, the I²C peripheral has finished sending the data byte. Check the I2CNACKI flag to ensure that the slave has received the byte. Clear both these bits.
- 7) Load the second data byte into I2CBUF.
- 8) Monitor the I2CTXI flag in the I2CST register. When set, the I²C peripheral has finished sending the data byte. Check the I2CNACKI flag to ensure that the slave has received the byte. Clear both these bits.
- 9) Set the I2CSTOP bit in the I2CCN register. This causes the MAXQ3108 to send the STOP sequence. When this bit returns to 0, the STOP sequence has been sent and the I²C bus is idle.

I²C Use Scenario: MAXQ3108 Master Receives 2 Bytes from Slave

- 1) Set the I2CEN and I2CMST bits in the I2CCN register. This enables the I²C peripheral and establishes the MAXQ3108 as master.
- 2) Set the I2CSTART bit in the I2CCN register. This causes the MAXQ3108 to send the START sequence. When the START condition has been

Low-Power, Dual-Core Microcontroller

sent (and both SDA and SCL are low), the I2CSTART bit is cleared. Note that the I2CSRI bit is set in the I2CST register as well. That is because the I²C peripheral sees its own START condition.

- 3) Load the command byte into I2CBUF. The command byte consists of the slave address and the R/W bit. For this example, assume we wish to write to slave address 0x30. The byte to be loaded in this case is 0x60: the address shifted up by one position and bit 0 (the R/W bit) set to a one.
- 4) Monitor the I2CTXI flag in the I2CST register. When set, the I²C peripheral has finished sending the command byte and has received an ACK or a NAK from the remote device. Check the I2CNACKI flag in the I2CST register to determine if an ACK or a NAK was received. If set, the command was not acknowledged. Clear these bits after they are tested.
- 5) Set the I2CACK bit to 0 to acknowledge the first byte.
- 6) Monitor the I2CRXI flag in the I2CST register. When set, the I²C peripheral has finished receiving the data byte and has sent the ACK. Read the data from the I2CBUF register and clear the I2CRXI bit.
- 7) Clear the I2CACK bit to NAK the next received byte.
- 8) Monitor the I2CRXI flag in the I2CST register. When set, the I²C peripheral has finished receiving the data byte and has sent the NAK. Read the data from the I2CBUF register and clear the I2CRXI bit.
- 9) Set the I2CSTOP bit in the I2CCN register. This causes the MAXQ3108 to send the STOP sequence. When this bit returns to 0, the STOP sequence has been sent and the I²C bus is idle.

I²C Use Scenario: MAXQ3108 Slave Receives 2 Bytes from External Master

- 1) Set the I2CEN bit in the I2CCN register. This enables the I²C peripheral.
- 2) Set the slave address in the I2CSLA register.
- 3) Monitor I2CST. As conditions change on the I²C bus, they are reflected in the I2CST register. When the I2CAMI bit is set, the address of the MAXQ3108 has been matched. The MAXQ3108 automatically sends ACK when an address matches.
- 4) Set the I2CACK bit to 0 to ACK the received bytes.
- 5) Monitor the I2CRXI and the I2CSPI flags in the I2CST register. When the I2CRXI bit is set, the I²C peripheral has finished receiving the data byte and has sent the ACK. Read the data from the I2CBUF register and clear the I2CRXI bit.
- 6) When the I2CSPI flag is set, the I²C peripheral has detected a STOP condition. No more characters are to be expected.

ADC Inputs

The MAXQ3108 contains six cubic sinc filters that receive decoded bit streams from three Manchester decoders. The ADC hardware is unique in that most of the functions can be performed by either the UserCore or the DSPCore. This section describes how these ADC inputs are configured. See Figure 3.

The input to the Manchester decoder is a composite signal consisting of two delta-sigma modulator channels and a synchronization signal. The decoder extracts the clock and data and presents the signals to a sync detector. This block searches for the synchronization pattern and keeps a shift register in step with the synchronized signal. When the sync detector is asserting a lock indication, the recovered channel 0 and 1 outputs reflect two analog inputs at the ADC modulator.

These recovered bit streams are presented to cubic sinc filters for conversion to digital format. The filters themselves have 24-bit resolution; however, the number of bits that are actually significant depends directly on the oversampling rate used in the filter control logic.

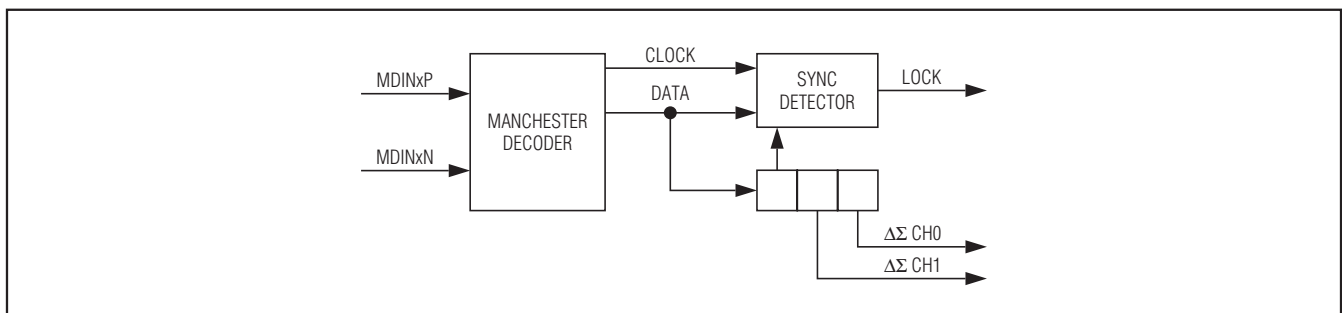


Figure 3. ADC Bit Stream Decoder

Low-Power, Dual-Core Microcontroller

ADC Registers

- **AD0 to AD5:** These six registers contain the most significant 16 bits for the cubic sinc filters. AD0 and AD1 correspond to Manchester decoder 0, AD2 and AD3 correspond to Manchester decoder 1, and AD4 and AD5 correspond to Manchester decoder 2.
- **AD0LSB to AD5LSB:** These six registers contain the least significant 8 bits for the cubic sinc filters. Paired with the AD0 to AD5 registers, each cubic sinc filter has 24 bits of resolution.
- **ADCN:** The ADC control register contains both control bits and status bits associated with the ADC. The register contains bits that configure the oversampling rate, and enable or disable individual Manchester decoder channels and interrupts and other functions.
- **ADCC:** This register contains a measure of the clock rate associated with a particular Manchester decoder. Because the speed of a Manchester channel is controlled not by the MAXQ3108 but by the unsynchronized clock of an external device, it is critical for the application to know the difference between the modulator clock and the MAXQ3108 clock. To determine this, the ADCC register contains the number of sync bits that occur during 512 32.768kHz clock periods. Application software can use this information to determine the relative speed of the two clocks and to make correction for time-critical measurements.
- **MSTC:** The Manchester decoder status register contains bits that reveal the synchronization status of all three Manchester decoders. It also contains the selection bits for the clock measurement function exposed in the ADCC register.

Use Case: Using a Single DS8102 as a 2-Channel ADC

The DS8102 is designed to operate with the Manchester data inputs of the MAXQ3108. Figure 4 demonstrates how simple the physical interface can be: just connect the MNOUT pin of the DS8102 to the

MDIN0P input of the MAXQ3108, and establish a common ground using the MDIN0N pin. This interface point, however, makes an ideal isolation interface. Because of the Manchester-encoded nature of the signal interface, any type of isolation—capacitive, transformer, or optical—can be used to couple the output of the DS8102 to the MAXQ3108.

To use the ADC inputs, perform the following steps:

- Configure the ADC. In the ADCN register, set the OSR bits to select the desired oversampling rate, either 32, 64, 128, or 256. Enable the Manchester decoder 0 by setting MD0E.
- Within a few milliseconds, the MD0SNC bit should go active in the MSTC register. This indicates that the synchronization pattern has been detected and that samples in the AD0 register are valid.
- To read samples, wait for ABF0 to go active in the ADCN register. This indicates that samples are available in the AD0 and AD1 registers. The sample input loop can be as simple as:

```
while (TRUE)
{
    while (!ADCN.ABF0);
    process_sample (AD0);
}
```

Dual-Core Interfaces

The MAXQ3108 contains two MAXQ20 cores. The first core, UserCore, operates at half the master clock speed and manages most of the peripheral devices. The second core, DSPCore, operates at the full master clock speed and has no peripheral responsibility. It is free to handle most of the math-intensive parts of the application.

The DSPCore differs from the UserCore in two important aspects: first, it has no debug engine; and second, it has no nonvolatile program memory. Instead, the

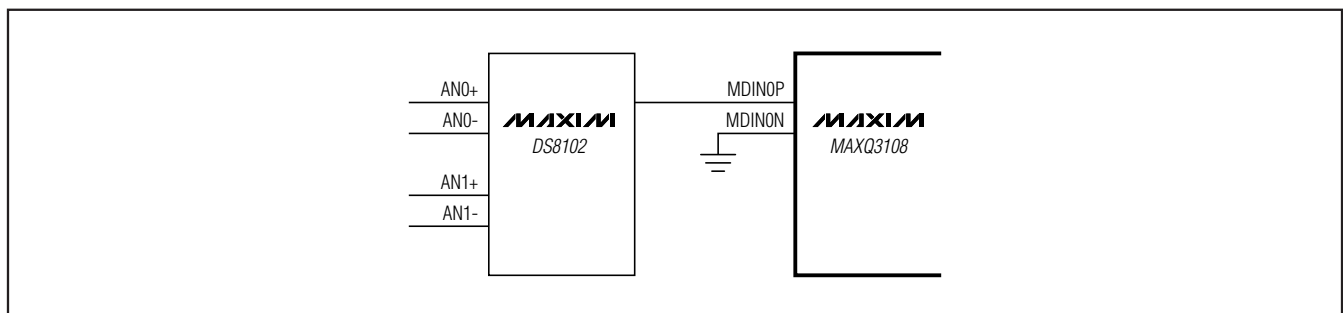


Figure 4. Connecting the MAXQ3108 to a DS8102 Dual Delta-Sigma Modulator

Low-Power, Dual-Core Microcontroller

DSPCore uses 8KB (4K instruction words) of RAM as code memory, with a separate 1KB (512 word) data space.

DSP Code Memory

Code memory for the DSPCore is implemented as an 8KB block of static RAM. Following power-on reset, the DSPCore CPU is disabled (that is, ENDSP is clear). Since the DSPCore is not fetching instructions, its code memory can be remapped to the UserCore data space. The DSPCore code RAM is mapped into UserCore data space at 0x1000–0x2FFF in byte mode (or 0x1000–0x1FFF in word mode).

Code for the DSPCore must be compiled along with the code for the UserCore as an independent, self-contained module. That is, the DSPCore code cannot contain calls to modules in the UserCore and cannot depend on any C runtime code that is executed only in the UserCore. For this reason, it is likely that development for the DSPCore is done in assembly language rather than C. Code for the DSPCore must be compiled to run at location 0x8000 and must be located in a segment with a known absolute address.

To configure DSP code memory at runtime using the utility ROM copy routines:

- Establish a word array at location 0x1000.
- Establish a word pointer (DP[0]) at the start of the DSPCore code block in flash.
- Add 0x8000 to DP[0].
- Call the utility ROM function UROM_moveDPinc.
- Copy the result to the word array and increment the array pointer.
- Repeat until complete.

Once the copy is complete, setting the ENDSP bit relocates the RAM block from 0x1000 in UserCore data space to 0x8000 in DSPCore code space and releases DSPCore reset. When DSPCore reset is released, the DSPCore begins executing instructions from the RAM block at 0x8000.

Intercore Communications

A set of five registers is used to communicate between the UserCore and the DSPCore. Three registers, MREQ0, MREQ1 and MREQ2, are dedicated to communicating requests from the UserCore to the DSPCore; two registers, SRSP0 and SRSP1, manage responses from the DSPCore to the UserCore.

The UserCore starts all communication between the two cores. Typically, the UserCore and the DSPCore agree on a set of 4-bit request codes that the DSPCore recog-

nizes and to which it responds. For example, request code 1 might be a software reset; request code 2 might be a read RAM request; request code 3 might be a write RAM request.

A set of hardware locks keep the two cores in synchronization for purposes of communication. The REQCDV (request command data valid) bit in the MREQ0 is set by the UserCore to alert the DSPCore that a request is pending. When the DSPCore has read the request, it can clear the REQCDV bit. Only the DSPCore can clear the bit; thus, coherency is guaranteed. Similarly, when the DSPCore has a response available it sets the RSPSDV (response status data valid). When the UserCore has received the response data, it clears the RSPSDV bit. Since only the DSPCore can set this bit and only the UserCore can clear it, once again, coherency is guaranteed.

A typical use-case scenario would proceed as follows.

Case 1: Load the 16-bit value 0x55AA to RAM location 0x0020 in the DSPCore. It has been established that the command for RAM write is 0x03.

- 1) The UserCore loads the 16-bit address 0x0020 into MREQ1 and the 16-bit data word 0x55AA into MREQ2.
- 2) The UserCore loads 0x23 into the MREQ0 register. This simultaneously loads the command 0x03 into the request command and sets the REQCDV bit to alert the DSPCore that a command is pending.
- 3) The DSPCore receives the alert that a command is pending and retrieves the command from the MREQ0 register. It decodes the request as a RAM write request (0x03.) In response, it reads MREQ1 for the address and MREQ2 for the data to write.
- 4) The DSPCore completes the RAM write operation.
- 5) The DSPCore then clears the REQCDV bit in the MREQ0 register to signal the successful execution of the command.

Case 2: Read the 16-bit value at DSPCore RAM location 0x0030. It has been established that the command for RAM read is 0x02.

- 1) The UserCore loads the 16-bit address 0x0030 into MREQ1.
- 2) The UserCore loads 0x22 into the MREQ0 register. This action simultaneously loads the command 0x02 into the request command and sets the REQCDV bit to alert the DSPCore that a command is pending.
- 3) The DSPCore receives the alert that a command is pending and retrieves the command from the

Low-Power, Dual-Core Microcontroller

MREQ0 register. It decodes the request as a RAM read request (0x02.) In response, it reads MREQ1 for the address to read.

- 4) The DSPCore completes the RAM read operation.
- 5) The DSPCore loads the results of the read to the SRSP1 register.
- 6) The DSPCore loads 0x22 into the SRSP0 register. This action simultaneously loads the response 0x02 into the response bits and sets the RSPSDV bit to alert the UserCore that a response is pending.
- 7) The UserCore receives the response alert and retrieves the response from the SRSP1 register. It then clears the RSPSDV bit in the SRSP0 register.
- 8) The DSPCore sees that the RSPSDV bit is cleared. It then clears the REQCDV bit in the MREQ0 register.
- 9) The UserCore sees the REQCDV bit go clear and is now ready for the next request.

Timer 2

Timer 2 is a complex timing element designed for PWM generation, IR generation and detection, and a variety of other purposes. For information about this timer and its properties, refer to Section 9 of the *MAXQ Family User's Guide*.

Timer B

The timer B peripheral is an enhanced timer type 1 (refer to the *MAXQ Family User's Guide* for information about type 0, type 1, and type 2 timers). It has many of the features of the more complex type 2 timer, but with an interface optimized for the 16-bit MAXQ architecture.

Timer B is managed through four 16-bit registers: TB0CN is the configuration and status register; TB0V is the current value of the timer; TB0R is the capture/reload register; and TBOC is the compare register.

The bits of the configuration and status register are as follows:

Bit 0: CP/RLB. If cleared to 0, TB0R functions as a reload register. This means that TB0V is reloaded with the appropriate value when overflow/underflow occurs. (If counting up, TB0V is loaded with 0 when TB0V = TB0R; if counting down, TB0V is loaded with TB0R when TB0V = 0x0000.) If set, the TB0R captures the value of TB0V when a falling edge is detected on TBB.

Bit 1: ETB. Enables all interrupts from timer B.

Bit 2: TRB. When set, timer B is allowed to run. When cleared, the time is halted with its current state intact.

Bit 3: EXENB. Setting this bit enables capture/reload functions on the TBB external pin. In capture mode, a negative transition on this pin copies the current value of the TB0V register into the TB0R register. In reload mode, a negative transition on this pin resets TB0V to 0 (in upcount mode) or to TB0R (in downcount mode).

Bit 4: DCEN. When clear, the counter or timer counts up. When set, the counter or timer counts either up or down depending on the state of the TBB pin. In PWM modes, the TBB pin is an output; in this case, when DCEN is active the counter counts up to TB0R, then counts down to 0 and repeats.

Bit 5: TBOE. When set, and when the timer is operating in timer mode, this bit enables the output of the timer onto the TBA pin. When clear, the TBA pin can be used for an alternate function, or as an input to the timer.

Bit 6: EXFB. This flag is used to trigger an interrupt on any of the following conditions:

- The timer is configured as a timer in capture mode, and a negative edge on the TBB pin is observed with the TBB pin enabled.
- The timer is configured in reload mode and counts up, and a negative edge on the TBB pin is observed with the TBB pin enabled.
- The timer is configured to any PWM operating mode and a negative edge on the TBB pin is observed with the TBB pin enabled.

Additionally, if reload mode is in effect with no PWM operating mode, the EXFB bit toggles on overflow/underflow without generating an interrupt.

Bit 7: TFB. This flag is set on any overflow/underflow event. It must be cleared by software.

Bits 10 to 8: TBPS. These three bits define the prescaler divisor:

VALUE	DIVISOR
000	1
001	4
010	16
011	64
100	256
101	1024
110	1
111	1

Low-Power, Dual-Core Microcontroller

Bit 11: TBCR. Setting this bit enables PWM mode. If this bit is set (and TBCS is clear), the TBB pin is driven to 0 when TB0V = TB0C and driven to 1 when TB0V = TB0R. Setting both TBCS and TBCR causes TBB to toggle when TB0V = TB0C.

Bit 12: TBCS. Setting this bit enables PWM mode. If this bit is set (and TBCR is clear), the TBB pin is driven to 1 when TB0V = TB0C and driven to 0 when TB0V = TB0R. Setting both TBCS and TBCR causes TBB to toggle when TB0V = TB0C.

Bit 15: C \bar{T} B. When clear, the timer is configured as a timer (that is, it counts clock pulses from the prescaled system clock.) When set, the timer is configured as a counter; that is, it counts transitions on the TBA pin.

Timer B Use-Case Scenarios

Case 1: Output 1kHz square wave on TBA.

In this instance, reload the timer at a 500 μ s interval (since a 1kHz square wave has an edge every 500 μ s. Since the default UserCore clock is 5.014MHz, the total divisor should be 5014kHz/2kHz = 2507. Thus, a prescaler value of 1 and a TB0R value of 2507 (0x09CB) provides the necessary timing.

The procedure is as follows:

- Load TB0R with 0x09CB.
- Load TB0CN with 0x0024. This (1) sets the timer to timer mode, (2) disables PWM mode, (3) sets a prescaler divisor of 1, (4) disables the TXFB trigger, (5) enables square-wave output, (6) sets reload mode, and (7) disables any interrupts in the timer.

Case 2: Configure a PWM output with one part in 1000 resolution. Frequency is not critical.

In this instance, configure TB0R with a value of 1000. Configure TB0CN with 0x0804. This (1) sets the timer to timer mode, (2) enables PWM mode, (3) sets a prescaler divisor of 1, (4) disables the TXFB trigger, (5) disables square-wave output, (6) sets reload mode, and (7) disables interrupts.

Writing a value to TB0C sets the duty cycle of the output on TBB. When the TB0C value is 100, for example, the timer counts from 0 to 99 with the output high. When the timer reaches 100, the TB0C value is a match and the output goes low. The timer continues to run until it reaches 1000, at which time it switches low and reloads to 0.

Multiply-Accumulate Unit

The MAXQ3108 contains one multiply-accumulate unit for each CPU core. Each of these units can multiply two 16-bit numbers (signed or unsigned) in a single CPU cycle, and then accumulate the result to a 48-bit accumulator in a second cycle. Details on the multiply-accumulate units are available in Section 12 of the *MAXQ Family User's Guide*.

Real-Time Clock

The real-time clock is a 32-bit time-of-day clock that supports interrupt generation based on time intervals and time-of-day alarms. It is driven from the 32,768Hz crystal oscillator and operates even when the UserCore is in stop mode.

For information on the real-time clock module, refer to Section 14 of the *MAXQ Family User's Guide*.

Programmable Pulse Generators

The DSPCore has access to two precision, programmable pulse generators. Pulse generation is critical in electricity meters and other utility-based applications.

The principle of the pulse generator is simple: an output port is conditioned on a 22-bit counter so that when the counter is 0, the output port operates normally (that is, when a bit value is written to the port, the state of the pin changes); but when the counter is running, the pin is held at its previous state regardless of what value is written to it. The moment the counter reaches 0, however, the new value is transferred to the pin.

To use the pulse generator, write a 1 to the port and write a value to the counter. The counter begins counting down. While the counter is running, write a 0 to the port. Because the counter is running, the 0 is not immediately reflected on the pin. Only when the counter reaches 0 does the "0" level transfer to the pin. The practical value of this is the amount of time that the pin has been high is exactly a function of the value written to the counter.

In the MAXQ3108, the counter is 22 bits wide, but only the high-order 16 bits are writable. The other 6 bits are cleared on any write. Thus, the maximum value that can be written to the register is 0x3FFFC0, or, at the default clock rate of the DSPCore (10.027MHz) about 418ms.

Low-Power, Dual-Core Microcontroller

In-Application Flash Programming

From user code, flash is programmed using the ROM utility functions from either C or assembly language. The flash can be programmed one word at a time if so desired. Once a new user code routine has been programmed and verified in flash, the link or call address to that routine can be enabled. This procedure allows continued user code execution while dynamic reconfiguration of user billing code and tariff schedules occurs. The initial application code loaded through JTAG dictates the in-application facility and implements recognition of the in-application request and communication. The following function declarations show examples of some of the ROM utility functions provided for in-application flash programming.

```
/* Write one 16-bit word to code address 'dest'.
 * Dest must be aligned to 16 bits.
 * Returns 0 = failure, 1 = OK.
 */
int flash_write (uint16_t dest, uint16_t data);
To erase, the following function would be used:
/* Erase the given Flash page
 * addr: Flash offset (anywhere within page)
 */
int flash_erasepage (uint16_t addr);
```

Development and Technical Support

A variety of highly versatile, affordably priced development tools for this microcontroller are available from Maxim and third-party suppliers, including:

- Compilers
- In-circuit emulators
- Integrated development environments (IDEs)
- JTAG-to-serial converters for programming and debugging

A partial list of development tool vendors can be found on our website at [www.maxim-ic.com/MAXQ tools](http://www.maxim-ic.com/MAXQ_tools).

For technical support, go to <https://support.maxim-ic.com/micro>.

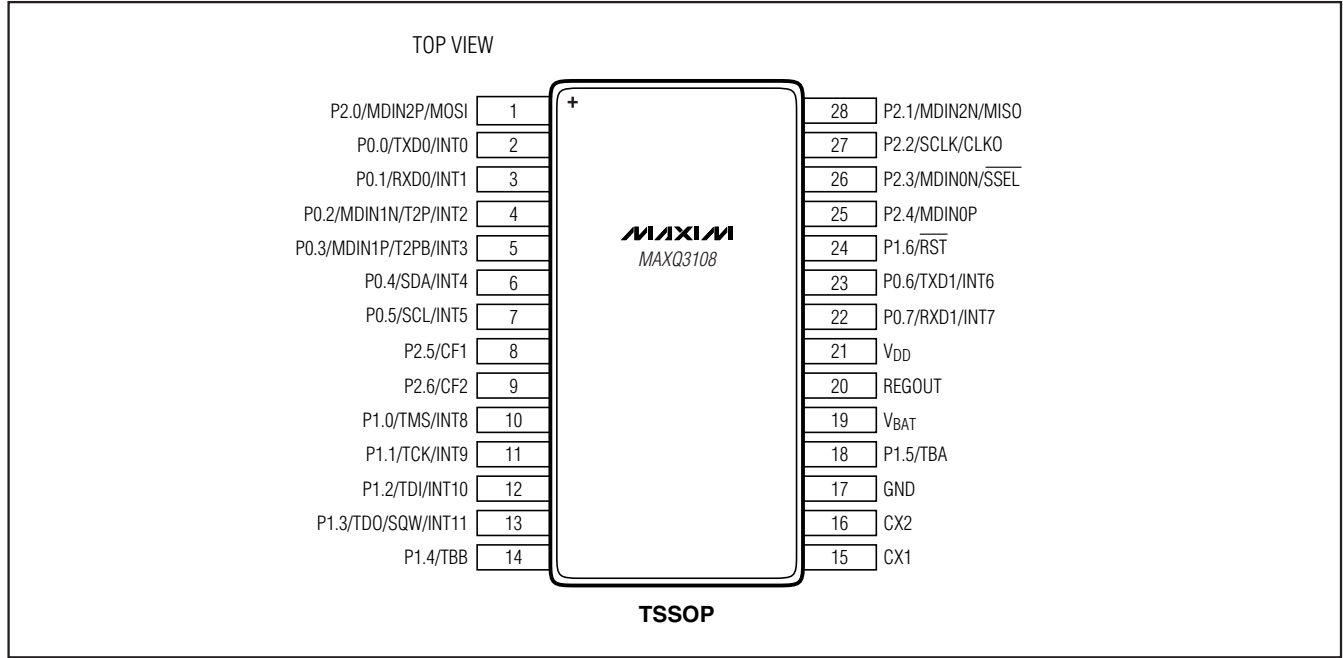
Additional Documentation

Designers must have three documents to fully use all the features of this device. This data sheet contains pin descriptions, feature overviews, and electrical specifications. Errata sheets contain deviations from published specifications. The *MAXQ Family User's Guide* offers detailed information about device features and operation.

- This MAXQ3108 data sheet, which contains electrical/timing specifications and pin descriptions.
- The MAXQ3108 errata sheet for the specific device revision, available at www.maxim-ic.com/errata.
- The *MAXQ Family User's Guide*, which contains detailed information on core features and operation, including programming. This document is available on our website at www.maxim-ic.com/MAXQUG.

Low-Power, Dual-Core Microcontroller

Pin Configuration



Package Information

For the latest package outline information and land patterns, go to www.maxim-ic.com/packages.

PACKAGE TYPE	PACKAGE CODE	DOCUMENT NO.
28 TSSOP	U28+2	21-0066

Maxim cannot assume responsibility for use of any circuitry other than circuitry entirely embodied in a Maxim product. No circuit patent licenses are implied. Maxim reserves the right to change the circuitry and specifications without notice at any time.

64 **Maxim Integrated Products, 120 San Gabriel Drive, Sunnyvale, CA 94086 408-737-7600**

© 2009 Maxim Integrated Products

Maxim is a registered trademark of Maxim Integrated Products, Inc.