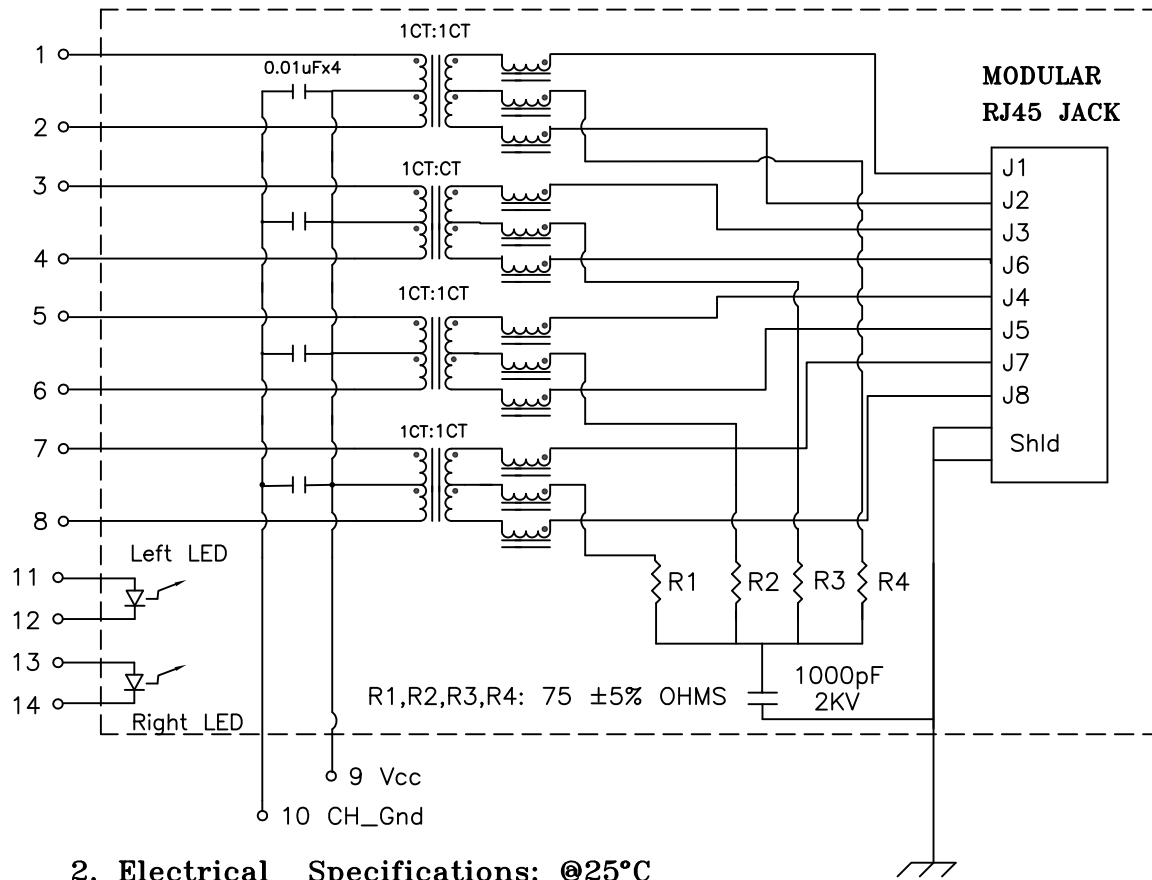


# 1. Schematic:

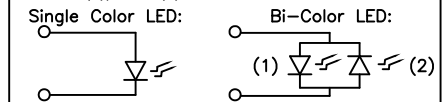


# 2. Electrical Specifications: @25°C

- ISOLATION: 2250 Vdc min at 60Sec (Input-Output)
- URNS RATIO: (PRI/SEC) 1CT:1CT ±2%
- OCL: 350uH MIN @100KHz 100mV 8mADC
- DCR: 0.65 Ohms Max Each (1/2 winding)
- DCR IMBALANCE: ±0.065 Ohms Max (CENTER TAP SYMMETRY)
- INSERTION LOSS: -1.2dB MAX @100KHz  
-1.4dB MAX @1-125MHz
- RETURN LOSS: -15dB Min @0.1-40MHz  
-12+20\*LOG(f/80MHz)dB Min @40-100MHz
- Crosstalk: -40dB Min @1MHz  
-40+10\*LOG(f/10)dB Min @10-100MHz
- CMRR: -50dB Min @2MHz  
-15+20\*LOG(f/200)dB Min @30-200MHz
- Q: 5 Min @100KHz 0.1V

Complete the Combo P/N as follows:

Replace 'x' & 'u' in the part number with one of the LED color letters:  
 Y=Yellow 'x' = Left LED Color  
 G=Green 'u' = Right LED Color  
 A=Amber  
 R=Red  
 C=Green(1)/Amber(2) Bicolor  
 D=Amber(1)/Green(2) Bicolor  
 M=Green(1)/Yellow(2) Bicolor  
 N=Yellow(1)/Green(2) Bicolor  
 P=Red(1)/Green(2) Bicolor  
 Q=Green(1)/Red(2) Bicolor  
 E=Red(1)/Yellow(2) Bicolor  
 F=Yellow(1)/Red(2) Bicolor  
 H=Amber(1)/Yellow(2) Bicolor  
 J=Green(1)/Green(2) Bicolor



### Notes:

1. Solderability: Leads shall meet MIL-STD-202G, Method 208H for solderability.
2. Flammability: UL94V-0
3. ASTM oxygen index: > 28%
4. UL Recognized Component: File Number E165866
5. Operating Temperature Range: All listed parameters are to be within tolerance from -40°C to +85°C
6. Storage Temperature Range: -55°C to +125°C
7. Aqueous wash compatible
8. Electrical and mechanical specifications 100% tested
9. RoHS Compliant Component

DOC REV.: A/2

**PROPRIETARY:**

Document is the property of XFMRs Group & is not allowed to be duplicated without authorization.

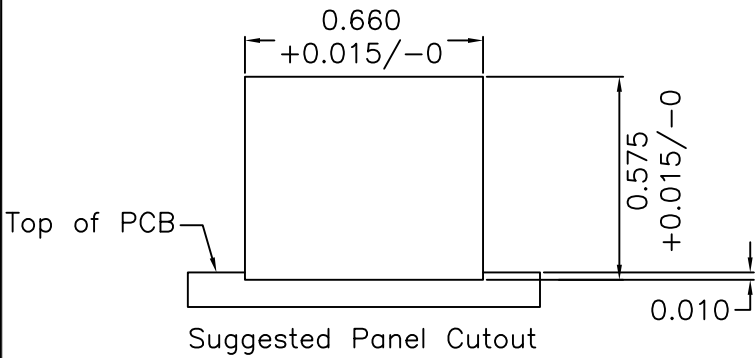
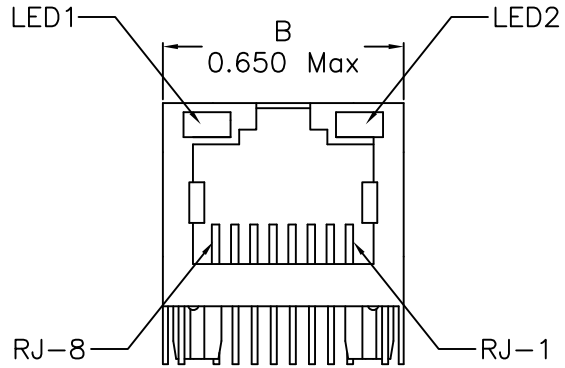
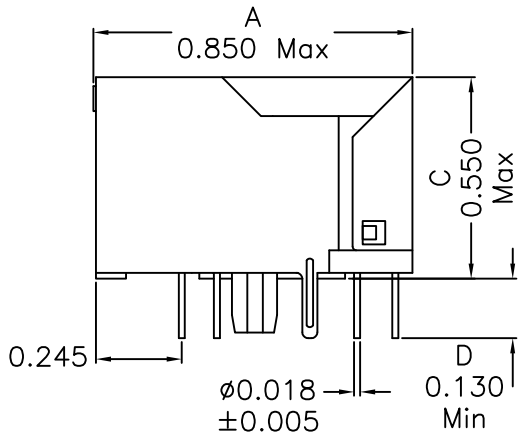
**XFMRs Inc.**  
www.XFMRs.com

UNLESS OTHERWISE SPECIFIED  
 TOLERANCES:  
 .xxx ±0.010  
 Dimensions in Inch  
 SHEET 1 OF 2

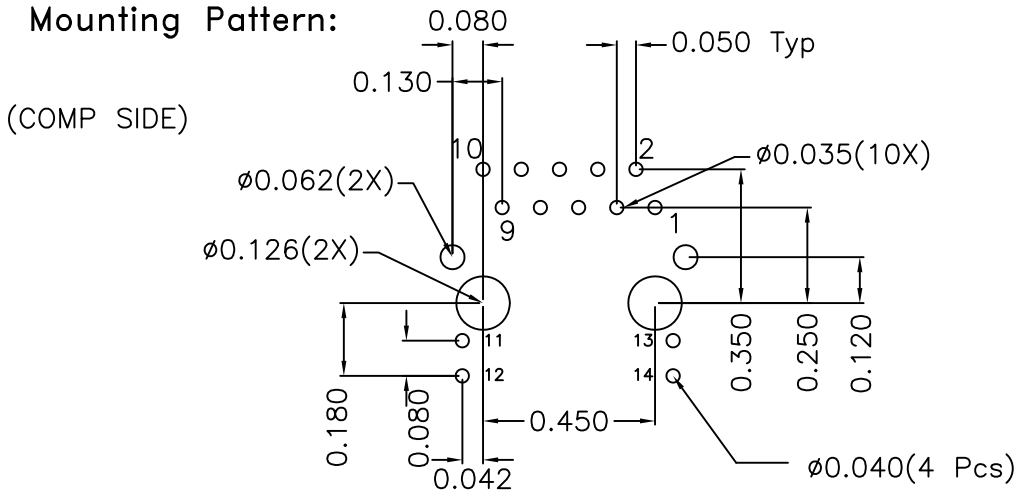
Title: Gigabit Combo  
 Single Port Tab-up

P/N: XFGI8NB-CTGxu1-2MS	REV. A
DWN. Yuan	Sep-24-14
CHK. YK Liao	Sep-24-14
APP. DDC	Sep-24-14

**Mechanical Dimensions:**



**Mounting Pattern:**



DOC REV: A/2

**XFMRS Inc.**  
www.XFMRS.com

Title: Gigabit Combo  
Single Port Tab-up

UNLESS OTHERWISE SPECIFIED  
TOLERANCES:  
.xxx ±0.010  
Dimensions in Inch

P/N: XFGIG8NB-CTGxu1-2MS

REV. A

DWN.

Yuan

Sep-24-14

CHK.

YK Liao

Sep-24-14

APP.

DDC

Sep-24-14

**PROPRIETARY:**

Document is the property of XFMRS Group & is not allowed to be duplicated without authorization.

SHEET 2 OF 2