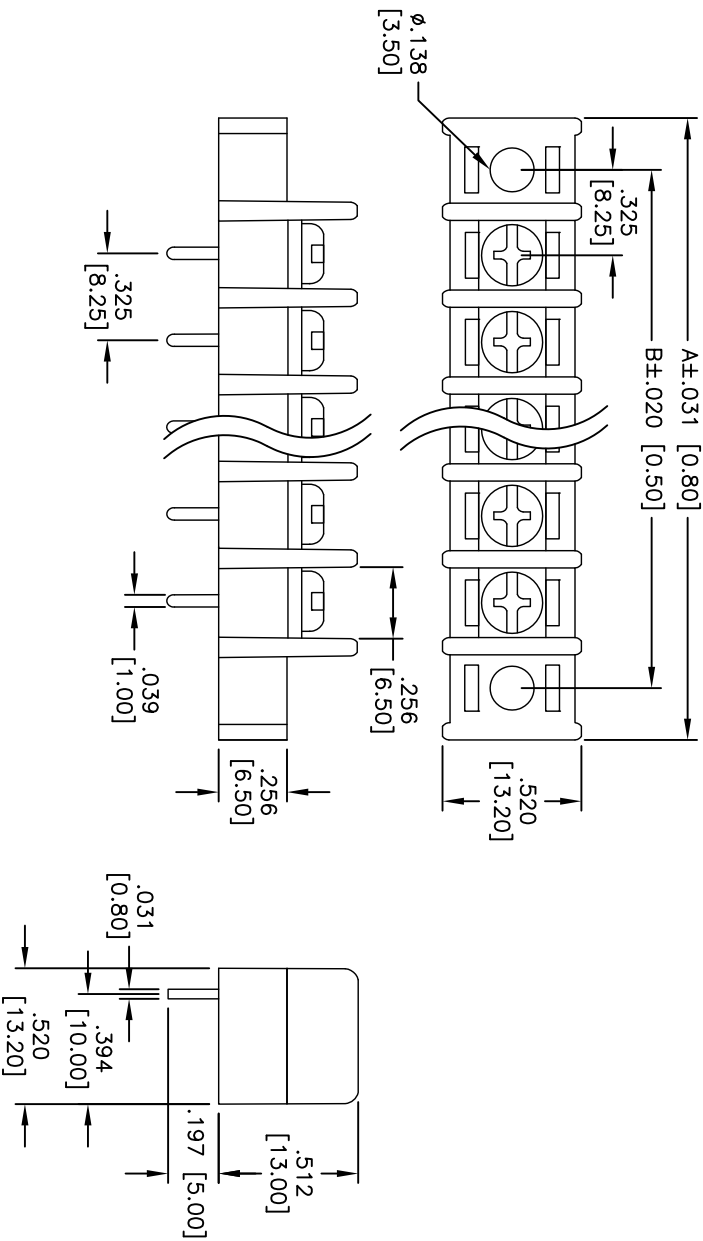


APPROVED: \_\_\_\_\_  
 DATE: \_\_\_\_\_ TITLE: \_\_\_\_\_

Rev	AWO #	Description	Date	Appr
-		RELEASED	6/7/05	
A		REDRAWN	9/13/11	



**SPECIFICATIONS:**

- Material: Insulator: Nylon66, rated UL 94V-0
- Insulator color: Black
- Contacts: Barss
- Screw: M3.0, Steel, Nickel plated
- Plating: Tin over Copper underplate overall
- Electrical: Operation voltage: 300 VAC
- Current rating: 15 Amps
- Mechanical: Wire Range: 14-22 Awg
- Screw Torque Value: 10kg-cm (8.68 lb-in)
- Insulation resistance: 1000 Mohms min @ 500 VDC
- Dielectric withstanding voltage: 2000 VAC for 1 minute
- Temperature Rating: Operating temperature: -40°C to +120°C
- Environmental: Lead free, RoHS Compliant

Positions: 2 thru 32  
 A = .325 [8.25] x No. of (Positions + 1) + .394 [10.00]  
 B = .325 [8.25] x No. of (Positions + 1)

**ADAM TECH**

909 Rahway Avenue, Union, NJ 07083  
 Phone: 908-687-5000 Fax: 908-687-5710

TITLE: .325 [8.25] CENTERLINE BARRIER BLOCK  
 VERTICAL, PCB TAILS, MOUNT ENDS

UNLESS OTHERWISE SPECIFIED ALL DIMENSIONS ARE INCHES [MM]		TOLERANCES: EXCEPT AS NOTED	
INCHES		HOLDS	
.X ± .10	ØXX ± .10	± .10	
.XX ± .020	ØXXX ± .015	± .015	
.XXX ± .015	ØXXXX ± .010	± .010	
APPROVALS	DATE	DATE	
DRAWN	SS	6/7/05	
CHECKED			
APPROVED			
SIZE	PART NO.	TBC-XX-01-M	
X			
REF:	SCALE:	NTS	
S0003TT			
REV.	SHEET	1 OF 1	
A			

