

THIS DRAWING IS UNPUBLISHED.

RELEASED FOR PUBLICATION

20

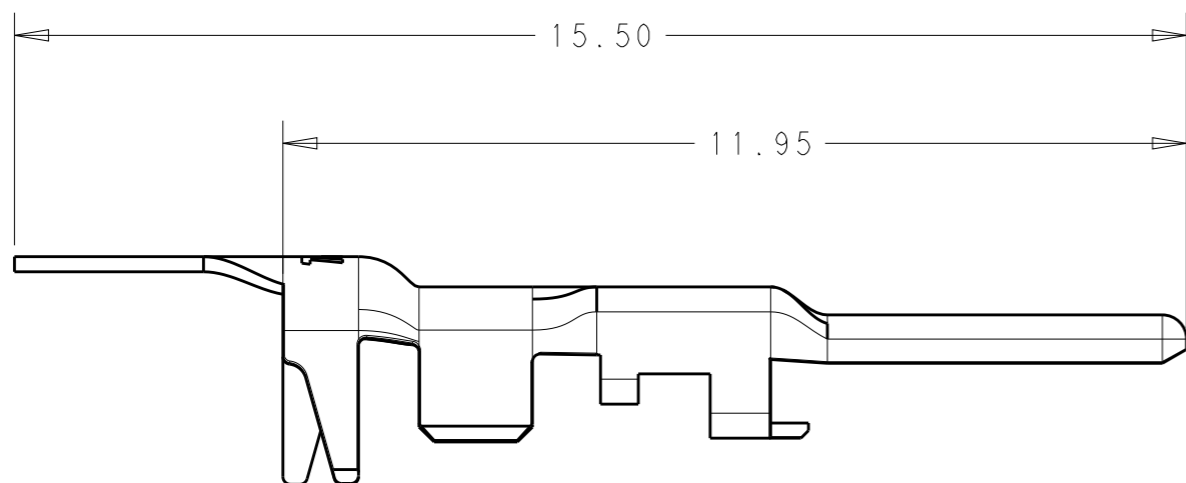
© COPYRIGHT 20

ALL RIGHTS RESERVED.

ES

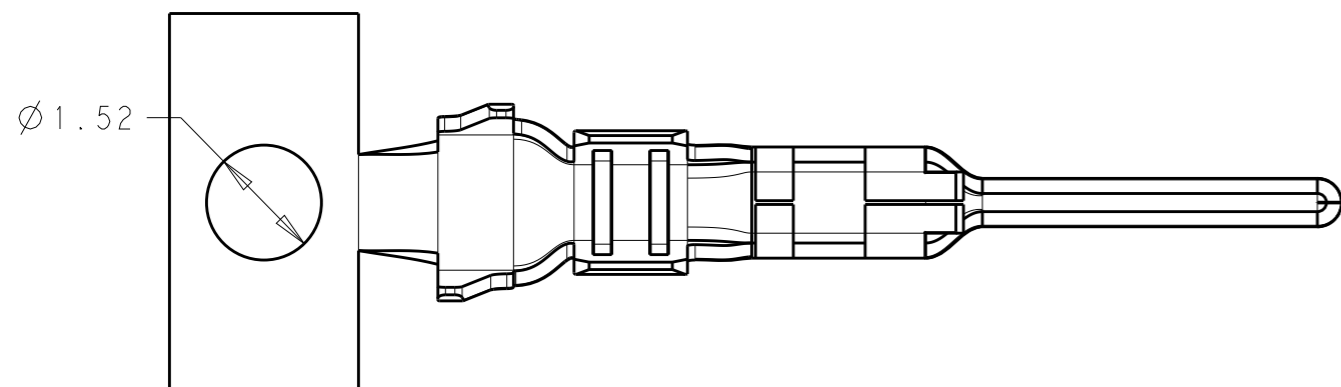
REVISIONS

| P | LTR | DESCRIPTION | DATE | DWN | APVD |
|---|-----|-----------------|-----------|-----|------|
| | A | INITIAL RELEASE | 15JUL2016 | W.Z | X.X |
| | | | | | |
| | | | | | |


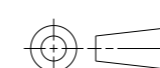


NOTES:

- ① MATERIAL: COPPER ALLOY
- ② FINISH: 2.0 MICRON MIN. TIN OVER NICKLE UNDERPLATED.
- ③ FINISH: GOLD FLASH PLATING ON CONTACT MATING AREA. TIN PLATING ON CRIMP AREA AND ALL NICKLE UNDERPLATED.
- 4. SEE TABLE FOR ALL THE PART NUMBERS.



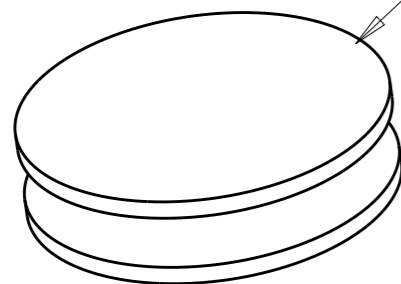
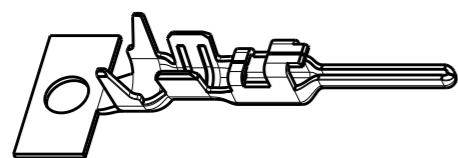
| | | | | |
|-----------------|--------|---------------------------|------------|-------------|
| 1000 PCS/REEL | ③ | 1.60-2.0 | 18-22 AWG | 2-2834068-3 |
| 10,000 PCS/REEL | ③ | 1.60-2.0 | 18-22 AWG | 1-2834068-3 |
| 1000 PCS/REEL | ② | 1.60-2.0 | 18-22 AWG | 2-2834068-2 |
| 10,000 PCS/REEL | ② | 1.60-2.0 | 18-22 AWG | 1-2834068-2 |
| PACKAGE Q'TY | FINISH | INSULATION DIAMETER RANGE | WIRE RANGE | PART NO |

| | | | | | |
|---|--|--|------------|--|--|
| THIS DRAWING IS A CONTROLLED DOCUMENT. | | DWN | 15JULY2016 |  TE Connectivity | |
| | | CHK | 15JULY2016 | | |
| | | APVD | 15JULY2016 | | |
| | | PRODUCT SPEC | 108-137093 | | |
| DIMENSIONS: mm | | TOLERANCES UNLESS OTHERWISE SPECIFIED: ± 0.3 | | NAME | |
|  | | 0-PLC \pm | | PIN CONTACT | |
| | | 1-PLC \pm | | MINIATURE WATERPROOF CONNECTOR | |
| | | 2-PLC \pm | | APPLICATION SPEC | |
| | | 3-PLC \pm | | 114-137093 | |
| 4-PLC \pm | | ANGLES $\pm 5^\circ$ | | SIZE | |
| MATERIAL | | FINISH | | CAGE CODE | |
| I | | - | | A300779 | |
| | | WEIGHT | | DRAWING NO | |
| | | - | | C-2834068 | |
| | | CUSTOMER DRAWING | | RESTRICTED TO | |
| | | | | - | |
| | | SCALE 10:1 | | SHEET 1 OF 2 | |
| | | | | REV A | |

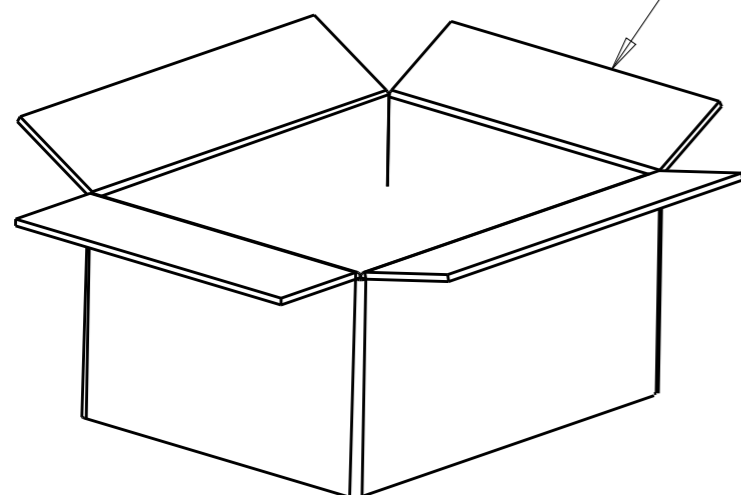
REVISIONS

| P | LTR | DESCRIPTION | DATE | DWN | APVD |
|---|-----|-------------|------|-----|------|
| | | SEE SHEET 1 | | | |
| | | | | | |
| | | | | | |

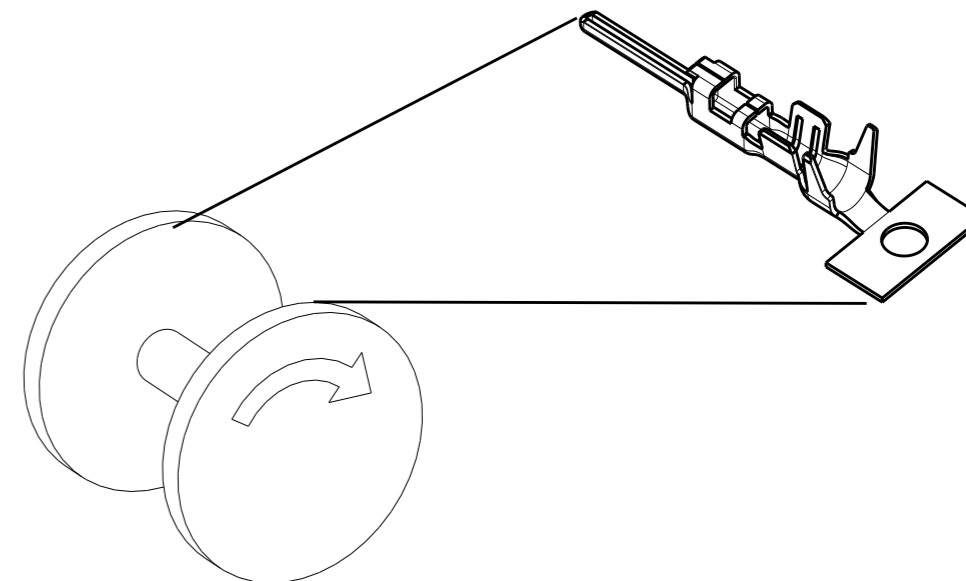
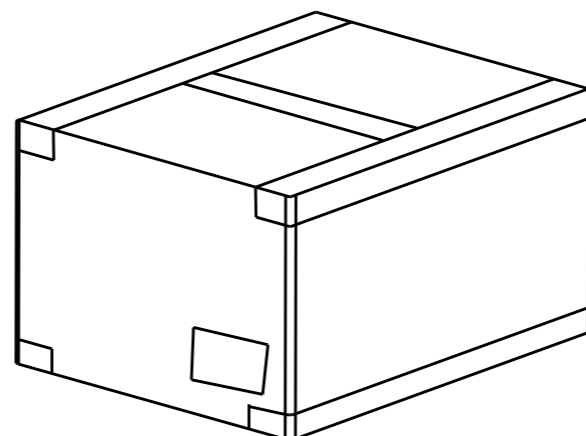
PACKAGE PART NUMBER LIST:
 1-2834068-2, 2-2834068-2, 1-2834068-3, 2-2834068-3,



REEL




CARTON



CONTACT WITH PLATING

NOTE:
 1. PUT PARTS IN THE REEL AS STAMPING&PLATING PROCESS.
 2. PUT PACKED REEL INTO CARTON.
 3. SEAL THE CARTON
 4. PACKAGING QUANTITY: SEE TABLE.
 5. PACKAGING SPEC : 107-137093.

| PART NUMBER | PARTS PER REEL | REELS PER CARTON | PARTS PER CARTON |
|-------------|----------------|------------------|------------------|
| 1-2834068-2 | 10,000 PCS | 4 | 40,000 PCS |
| 2-2834068-2 | 1000 PCS | 3 | 3,000 PCS |
| 1-2834068-3 | 10,000 PCS | 4 | 40,000 PCS |
| 2-2834068-3 | 1000 PCS | 3 | 3,000 PCS |

| | | | | |
|---|--|--------------------------------|---|--|
| THIS DRAWING IS A CONTROLLED DOCUMENT. | | DWN 15JULY2016 ZHANG WEI |  TE Connectivity | |
| DIMENSIONS: mm | | CHK 15JULY2016 SHI MING | | |
| TOLERANCES UNLESS OTHERWISE SPECIFIED: ± 0.3 | | APVD 15JULY2016 XU XIANG | NAME PIN CONTACT MINIATURE WATERPROOF CONNECTOR | |
| 0-PLC ± | | PRODUCT SPEC 108-137093 | SIZE CAGE CODE DRAWING NO RESTRICTED TO | |
| 1-PLC ± | | APPLICATION SPEC 114-137093 | A300779 ©-2834068 | |
| 2-PLC ± | | WEIGHT - | SCALE 10:1 SHEET 2 OF 2 REV A | |
| 3-PLC ± | | CUSTOMER DRAWING | | |
| 4-PLC ± | | | | |
| ANGLES ± 5° | | | | |
| MATERIAL I | | FINISH - | | |