

1. Scope

The present specifications shall apply to Sanken silicon rectifier diode, AM01.

2. Outline

Type	Silicon Rectifier Diode (Mesa Type)
Structure	Resin Molded
Applications	Commercial Frequency Rectification, etc.

3. Flammability

UL94V-0 (equipment)

4. Absolute maximum ratings

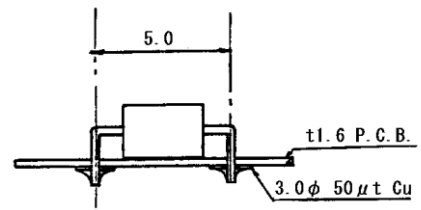
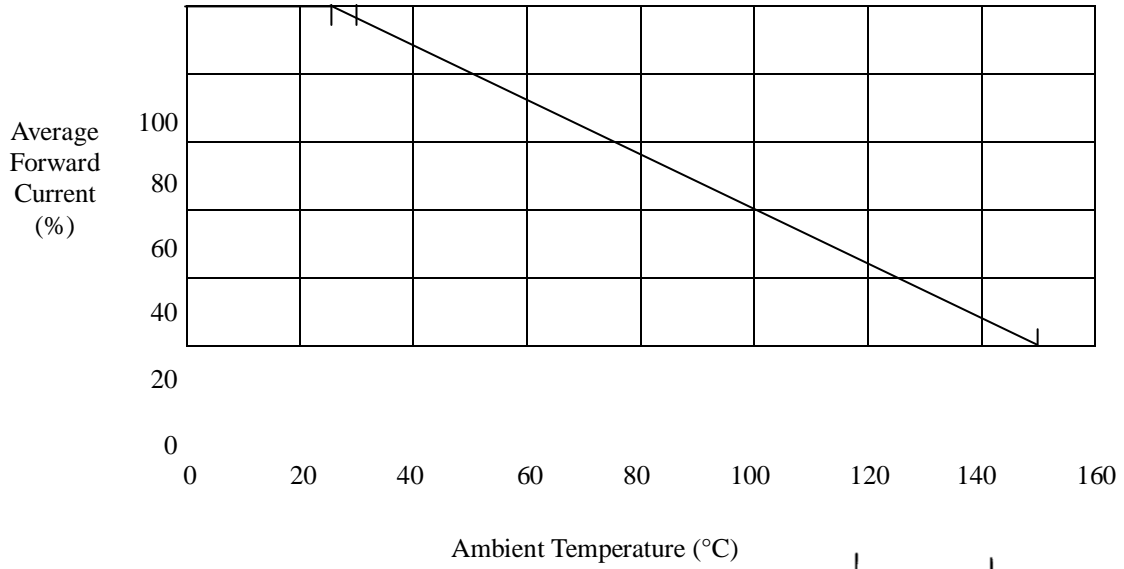
No.	Item	Symbol	Unit	Rating	Conditions
1	Transient Peak Reverse Voltage	V_{RSM}	V	450	
2	Peak Reverse Voltage	V_{RM}	V	400	
3	Average Forward Current	$I_{F(AV)}$	A	1.0	Refer to Derating of 6
4	Peak Surge Forward Current	I_{FSM}	A	35	10ms. Sine wave, one shot
5	Junction Temperature	T_j	°C	-40 to +150	
6	Storage Temperature	T_{stg}	°C	-40 to +150	

5. Electrical characteristics

No.	Item	Symbol	Unit	Value	Conditions
1	Forward Voltage Drop	V_F	V	0.98 max.	$I_F = 1.0A$
2	Reverse Leakage Current	I_R	μA	10 max.	$V_R = V_{RM}$
3	Reverse Leakage Current Under High Temperature	HI_R	μA	50 max.	$V_R = V_{RM}$, $T_a = 100^\circ C$
4	Thermal Resistance	θ_{j-l}	°C/W	22	Between Junction and Lead

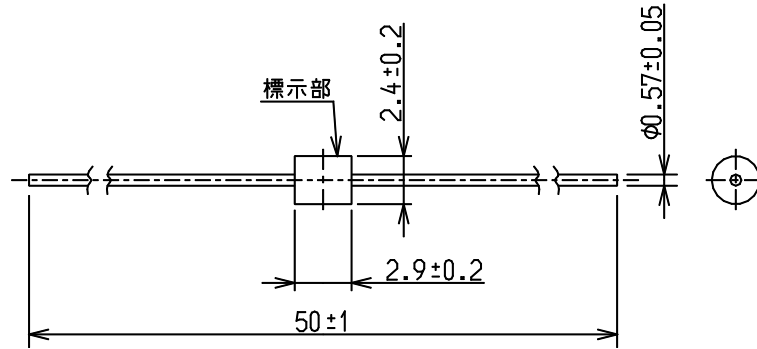
6. Derating

Deratings to the ambient temperature
 Power loss generated by voltage is not taken into consideration.



7. Package information

7.1 Dimensions



Dimensions in mm

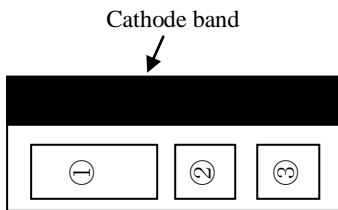
- *1 The allowance position of Body against the center of whole lead wire is 0.5mm(max.)
- *2 The centric allowance of lead wire against center of physical body is 0.2mm(max.)
- *3 The burr may exit up to 2mm from the body of lead.
- *4 Whole lead wire is $62.0^{±1.0}$, with 52mm taping.

7.2 Appearance

The body shall be clean and shall not bear any stain, rust or flaw.
The color of the case will be black.

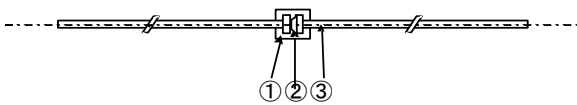
7.3 Marking Type number

- ① Type number : AM01 is abbreviated as M
- ② V_{RM} rank : Nothing : 400V
- ③ Lot number
First digit : Last digit of Year
Second digit : Month
From 1 to 9 for Jan. to Sep.
O for Oct., N for Nov., and D for Dec.



The type No., VRM rank and lot number are to be marked in White.

8. Internal structure diagram and material list



No.	Name of part	Materials
①	Plastic body	Epoxy Resin
②	Chip	Silicon
③	Leads	Solder Dipped Silver plated copper wire

Weight of products: Approx. 0.13g