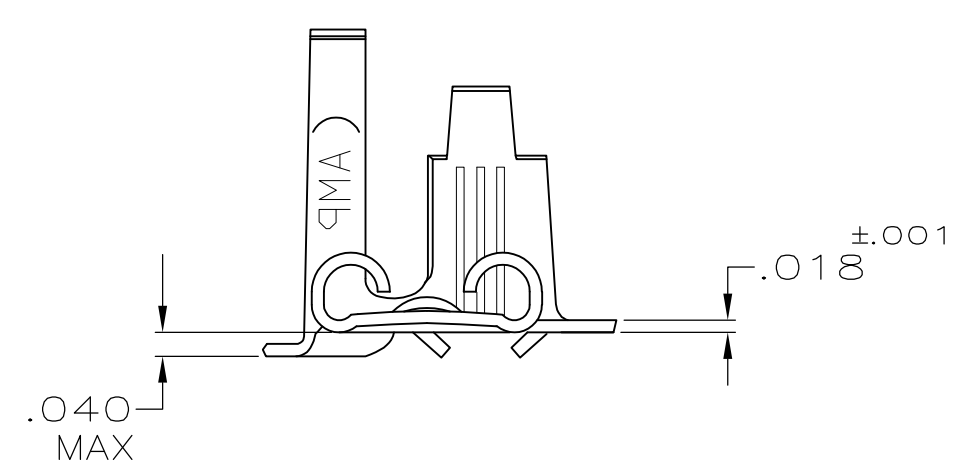
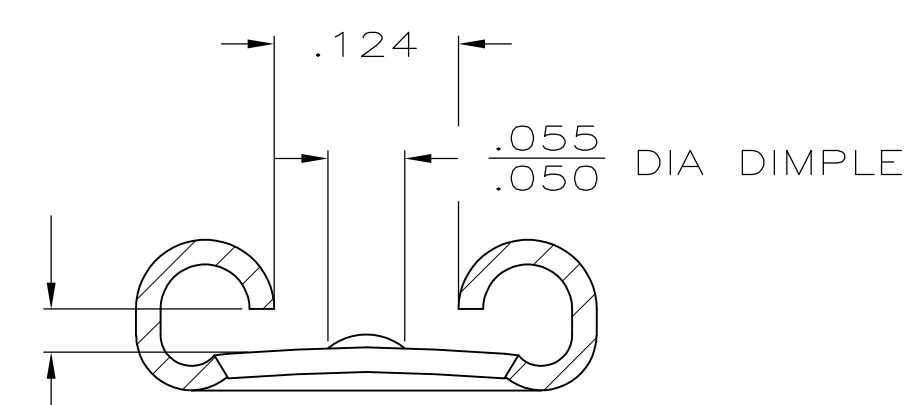
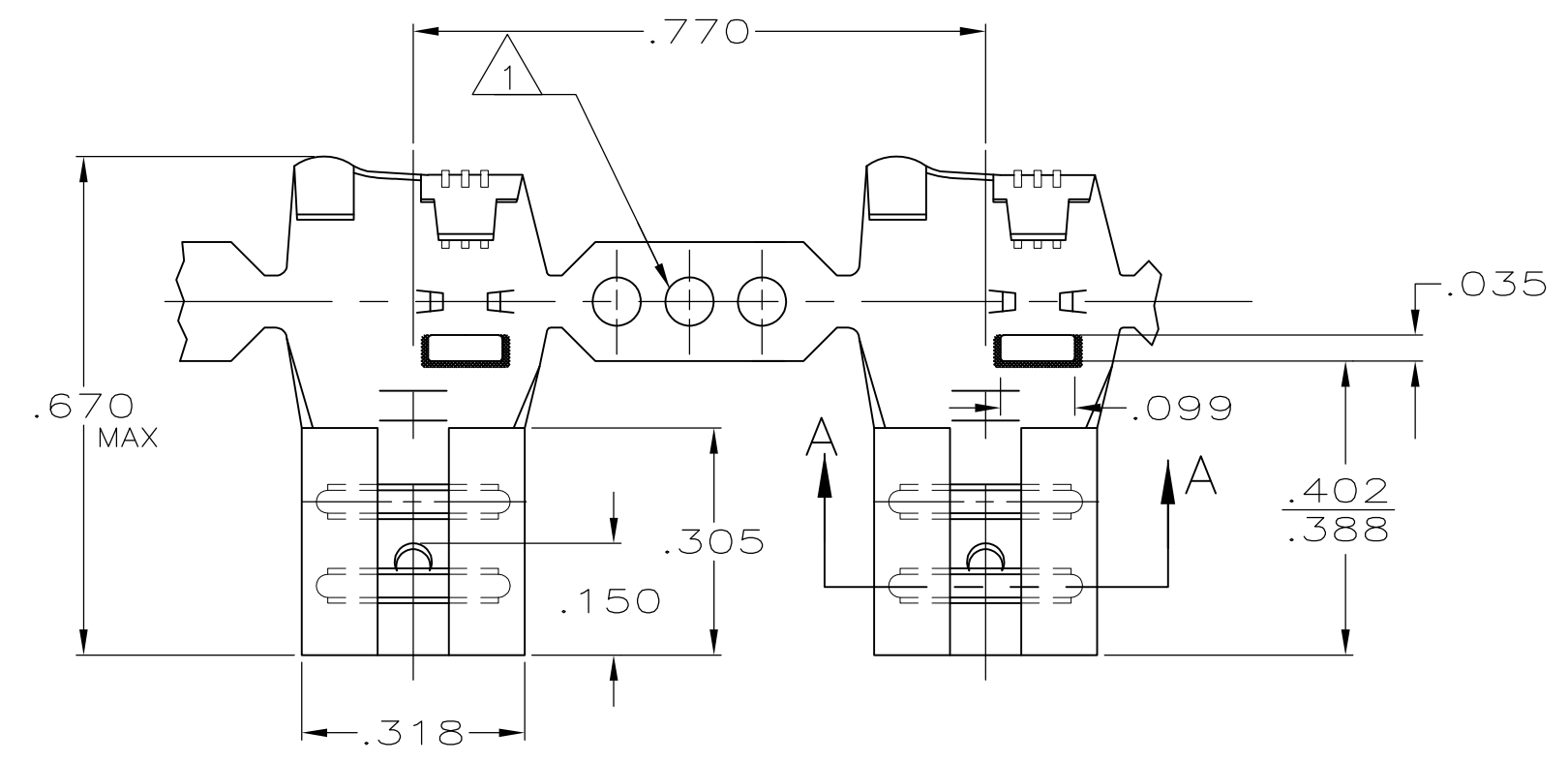



THIS DRAWING IS UNPUBLISHED. RELEASED FOR PUBLICATION
 © COPYRIGHT - By - ALL RIGHTS RESERVED.

LOC	DIST	REVISIONS					
AF	50	P	LTR	DESCRIPTION	DATE	DWN	APVD
			V	REVISED PER ECR-12-013445	18OCT12	KH	PD

△ 1 SINGLE OR DOUBLE PILOT HOLE OPTIONAL



.110-.210	18-12	.032	41801
INSULATION RANGE	WIRE SIZE	MATING TAB THK ±.001	PART NO.

THIS DRAWING IS A CONTROLLED DOCUMENT.		DWN JR RUTH 7/12/89	 TE Connectivity RECEPTACLE, FASTON, FLAG, .250 SERIES											
DIMENSIONS: INCHES		CHK MS FEHER 7/12/89												
TOLERANCES UNLESS OTHERWISE SPECIFIED:		APVD C MEYERS 7/12/89												
<table border="1"> <tr><td>0 PLC</td><td>± -</td></tr> <tr><td>1 PLC</td><td>± -</td></tr> <tr><td>2 PLC</td><td>± -</td></tr> <tr><td>3 PLC</td><td>± .015</td></tr> <tr><td>4 PLC</td><td>± -</td></tr> <tr><td>ANGLES</td><td>± -</td></tr> </table>		0 PLC			± -	1 PLC	± -	2 PLC	± -	3 PLC	± .015	4 PLC	± -	ANGLES
0 PLC	± -													
1 PLC	± -													
2 PLC	± -													
3 PLC	± .015													
4 PLC	± -													
ANGLES	± -													
MATERIAL BRASS		FINISH -	PRODUCT SPEC -	APPLICATION SPEC -	WEIGHT -	SIZE A3	CAGE CODE 00779	DRAWING NO C-41801	RESTRICTED TO -					
CUSTOMER DRAWING						SCALE 4:1	SHEET 1 OF 1	REV V						