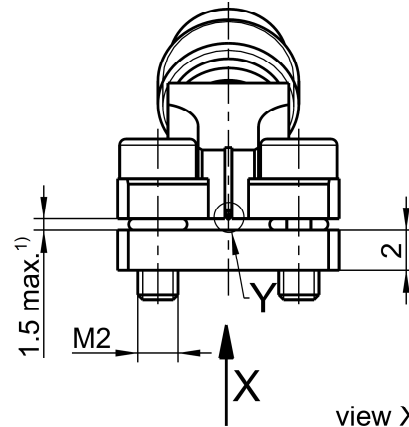
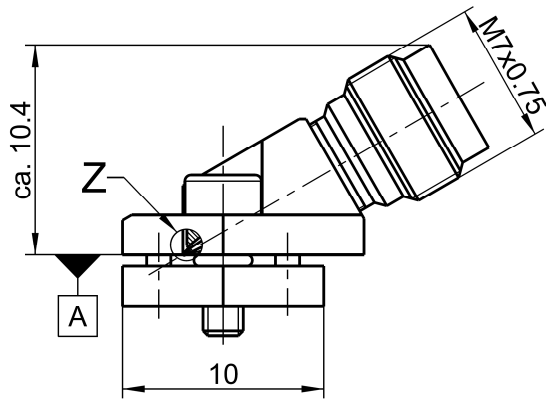
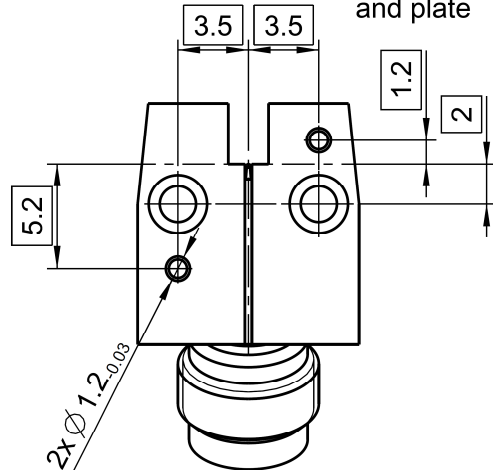
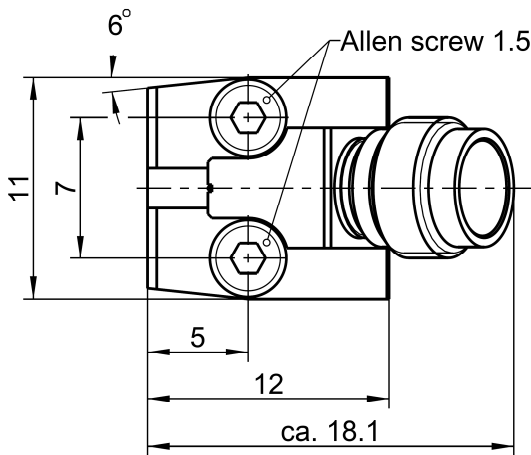


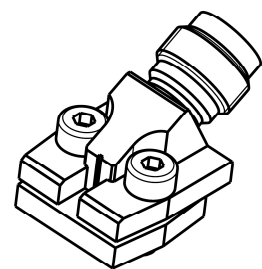
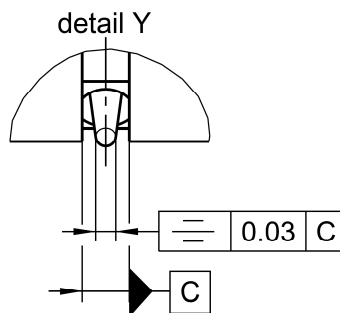
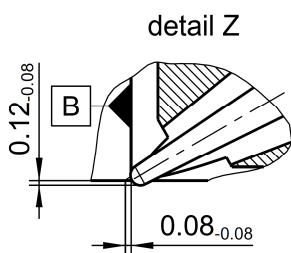
Remove transport lock before use.



view X  
without screws  
and plate



2x	⊕	∅ 0.05	A	B	C
----	---	--------	---	---	---



All dimensions are in mm; tolerances according to ISO 2768 m-H

**Interface**

According to IEC 61169-32  
Mechanically compatible with RPC-2.40

**Documents**

PCB layout MB 389

Dieses Dokument ist urheberrechtlich geschützt • This document is protected by copyright • Rosenberger Hochfrequenztechnik GmbH & Co. KG

RF\_35/05:10/6.0

RPC-1.85 SMD Connector jack

**08K80A-40ML5**

**Material and plating**

**Connector parts**

Center contact  
Outer contact PCB side  
Outer contact RPC-1.85 side  
Dielectric

**Material**

CuBe  
CuBe or equiv.  
CuBe or equiv.  
PEEK

**Plating**

AuroDur®, gold plated  
AuroDur®, gold plated  
AuroDur®, gold plated

**Electrical data**

Impedance 50 Ω  
Frequency DC to 70 GHz  
Return loss ≥ 21 dB, DC to 26.5 GHz  
≥ 19 dB, 26.5 GHz to 40 GHz  
≥ 17 dB, 40 GHz to 70 GHz  
Insertion loss ≤ 0.05 x √f(GHz) dB  
Insulation resistance ≥ 5 GΩ  
Test voltage 500 V rms  
Working voltage 150 V rms

- Return loss in application depends decisive on PCB layout -

**Mechanical data**

Mating cycles PCB side ≥ 300  
Mating cycles RPC-1.85 side ≥ 500  
Center contact captivation ≥ 10 N  
Coupling test torque RPC-1.85 1.65 Nm  
Recommended torque RPC-1.85 0.80 Nm to 1.10 Nm  
Recommended torque Allen screw 1.5 0.20 Nm to 0.30 Nm  
PCB thickness max.<sup>1</sup> 1.5 mm typical; dimension expandable with longer screws

**Environmental data**

Temperature range -40°C to +85°C  
Thermal shock IEC 61169-1, Subclause 9.4.4  
Corrosion IEC 61169-1, Subclause 9.4.6  
Vibration IEC 61169-1, Subclause 9.3.3  
Shock IEC 61169-1, Subclause 9.3.14  
Moisture resistance IEC 61169-1, Subclause 9.4.3  
Max. soldering temperature N/A (connector is only screwed on, not soldered)  
RoHS compliant

**Tooling**

Allen wrench 1.5 mm

**Packing**

Standard 1 pce in box  
50 pcs in blister  
Weight 6.3 g/pce

While the information has been carefully compiled to the best of our knowledge, nothing is intended as representation or warranty on our part and no statement herein shall be construed as recommendation to infringe existing patents. In the effort to improve our products, we reserve the right to make changes judged to be necessary.

Draft	Date	Approved	Date	Rev.	Engineering change number	Name	Date
Herbert Babinger	04/05/11	Herbert Babinger	28/01/16	f00	16-0142	B.Zimmerle	28/01/16
Rosenberger Hochfrequenztechnik GmbH & Co. KG P.O.Box 1260 D-84526 Tittmoning Germany <a href="http://www.rosenberger.de">www.rosenberger.de</a>					Tel. : +49 8684 18-0 Fax : +49 8684 18-499 Email : <a href="mailto:info@rosenberger.de">info@rosenberger.de</a>		Page 2 / 2