

RECTIFIER DIODES MODULE

AZD780HVI

Repetitive voltage up to **4500 V**
Mean forward current **805 A**
Surge current **19,0 kA**

FINAL SPECIFICATION

Apr. 17 - Issue: 1

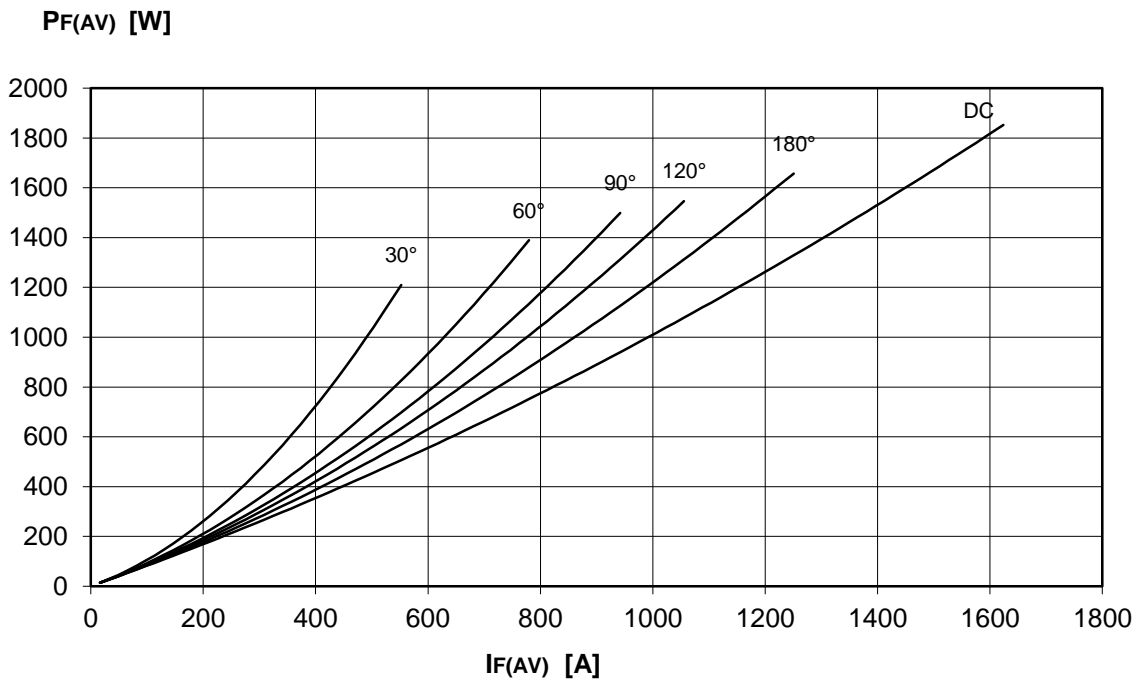
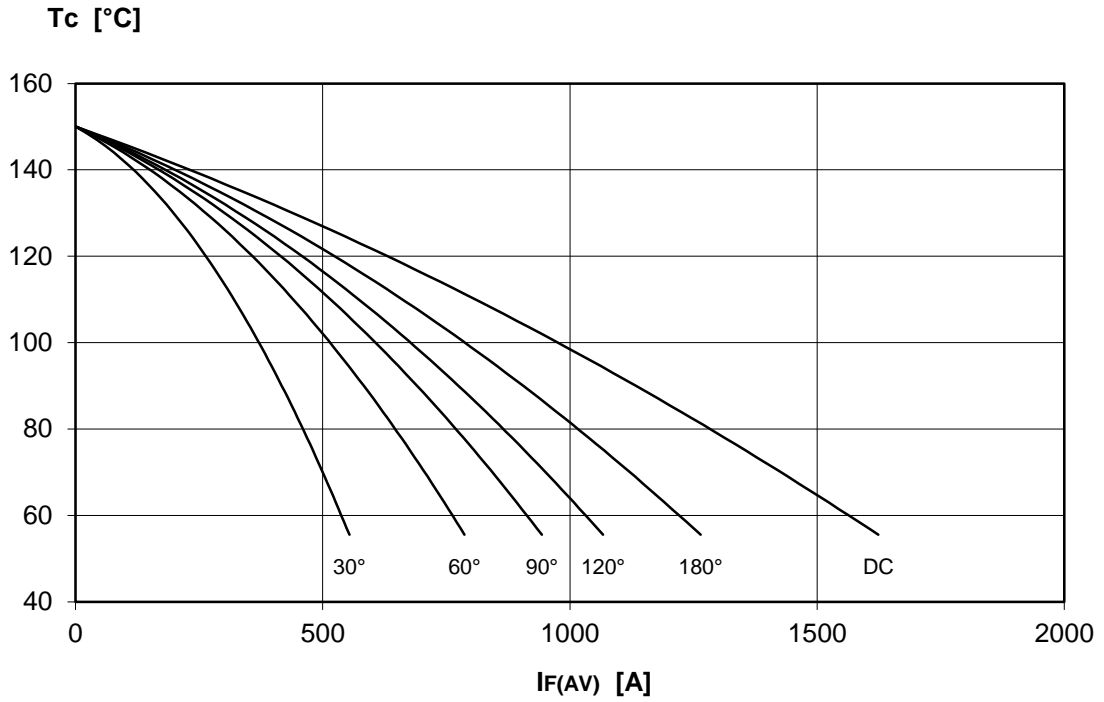
Symbol	Characteristic	Conditions	T _j [°C]	Value	Unit
BLOCKING					
V _{RRM}	Repetitive peak reverse voltage		150	4500	V
V _{RSM}	Non-repetitive peak reverse voltage		150	4600	V
I _{RRM}	Repetitive peak reverse current		150	150	mA
CONDUCTING					
I _{F(AV)}	Mean forward current	180° sin, 50 Hz, T _c =100°C, single side cooled		805	A
I _{F(AV)}	Mean forward current	180° sin, 50 Hz, T _c =55°C, single side cooled		1275	A
I _{FSM}	Surge forward current	Sine wave, 10 ms without reverse voltage	150	19	kA
I ² t	I ² t			1805 x 10 ³	A ² s
V _{FM}	Forward voltage	Forward current = 1800 A	25	1,38	V
V _{F(TO)}	Threshold voltage		150	0,80	V
r _F	Forward slope resistance		150	0,210	mohm
SWITCHING					
t _{rr}	Reverse recovery time		150		µs
Q _{rr}	Reverse recovery charge				µC
I _{rr}	Peak reverse recovery current				A
MOUNTING					
R _{th(j-c)}	Thermal impedance, DC	Junction to case		51,0	°C/kW
R _{th(c-h)}	Thermal impedance	Case to heatsink		15,0	°C/kW
T _j	Operating junction temperature			-30 / 150	°C
V _{ins}	RMS insulation voltage	50Hz, circuit to base, all terminal shorted	25	4500	V
T	Mounting torque	Case to heatsink		4 to 6	Nm
		Busbars to terminals		12 to 18	Nm
	Mass			2800	g

ORDERING INFORMATION : AZD780HVI S 45

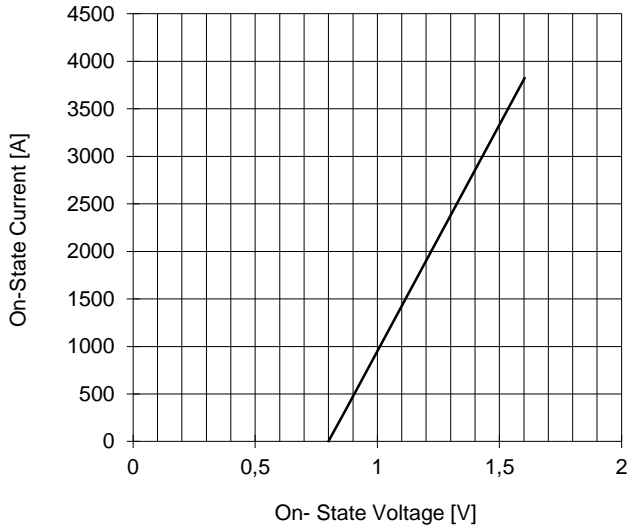
standard specification VRRM/100

DISSIPATION CHARACTERISTICS

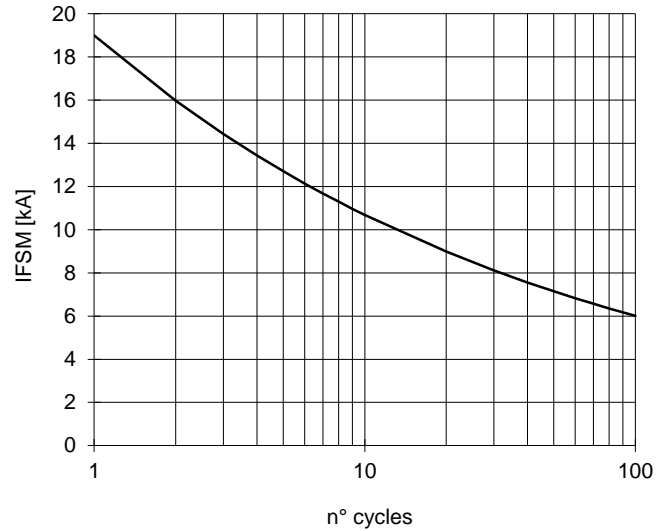
SQUARE WAVE



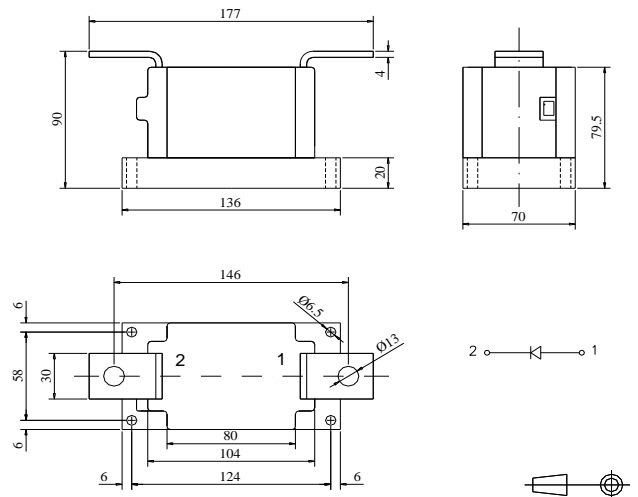
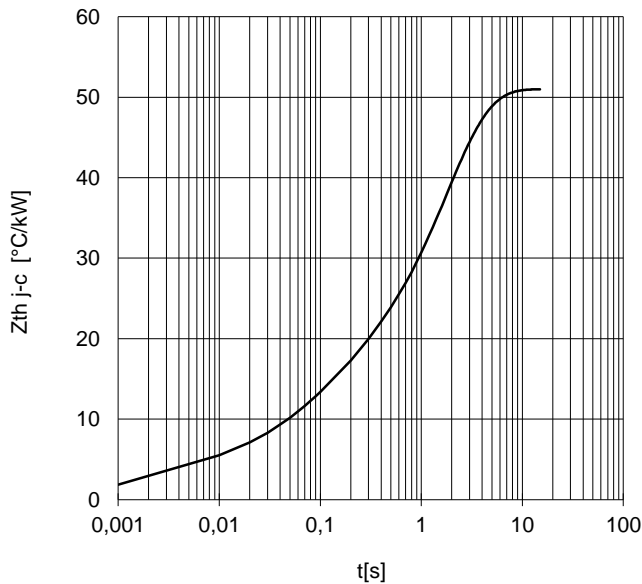
ON-STATE CHARACTERISTIC
T_j = 150 °C



SURGE CHARACTERISTIC
T_j = 150 °C



TRANSIENT THERMAL IMPEDANCE



All the characteristics given in this data sheet are guaranteed only with uniform clamping force, cleaned and lubricated heatsink, surfaces with flatness < .03 mm and roughness < 2 µm.
In the interest of product improvement POSEICO SpA reserves the right to change any data given in this data sheet at any time without previous notice.
If not stated otherwise the maximum value of ratings (symbols over shaded background) and characteristics is reported.

Distributed by

