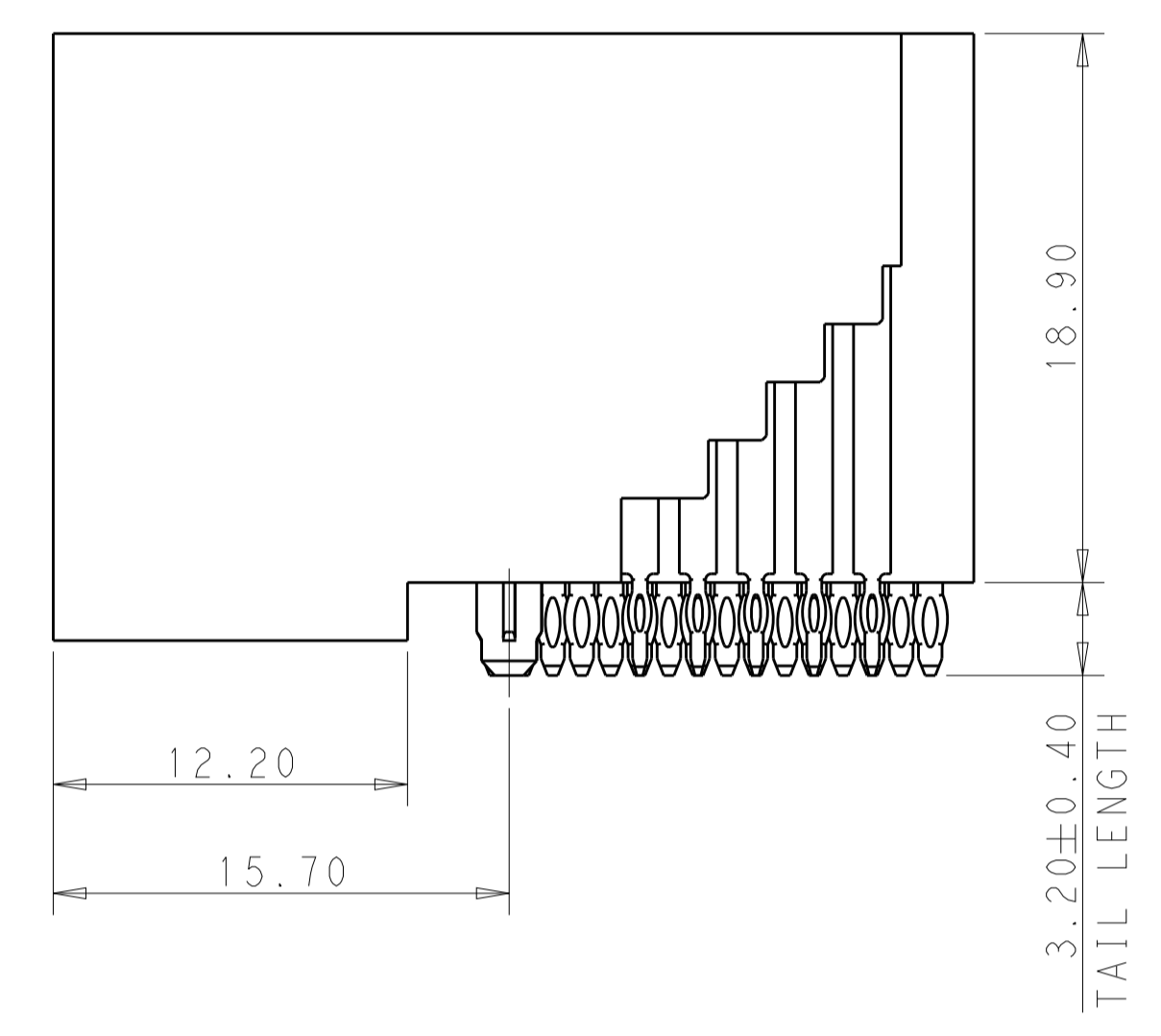
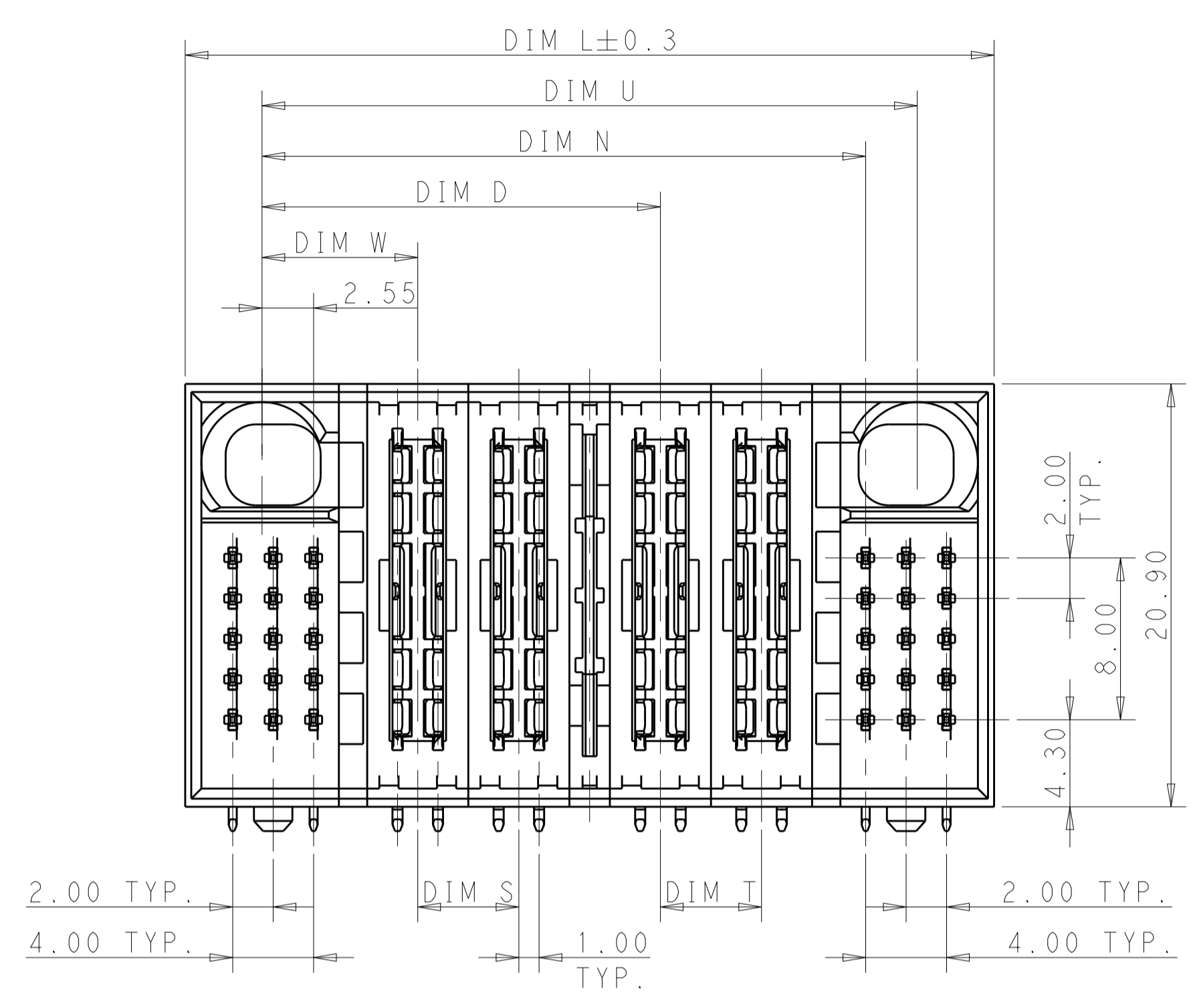
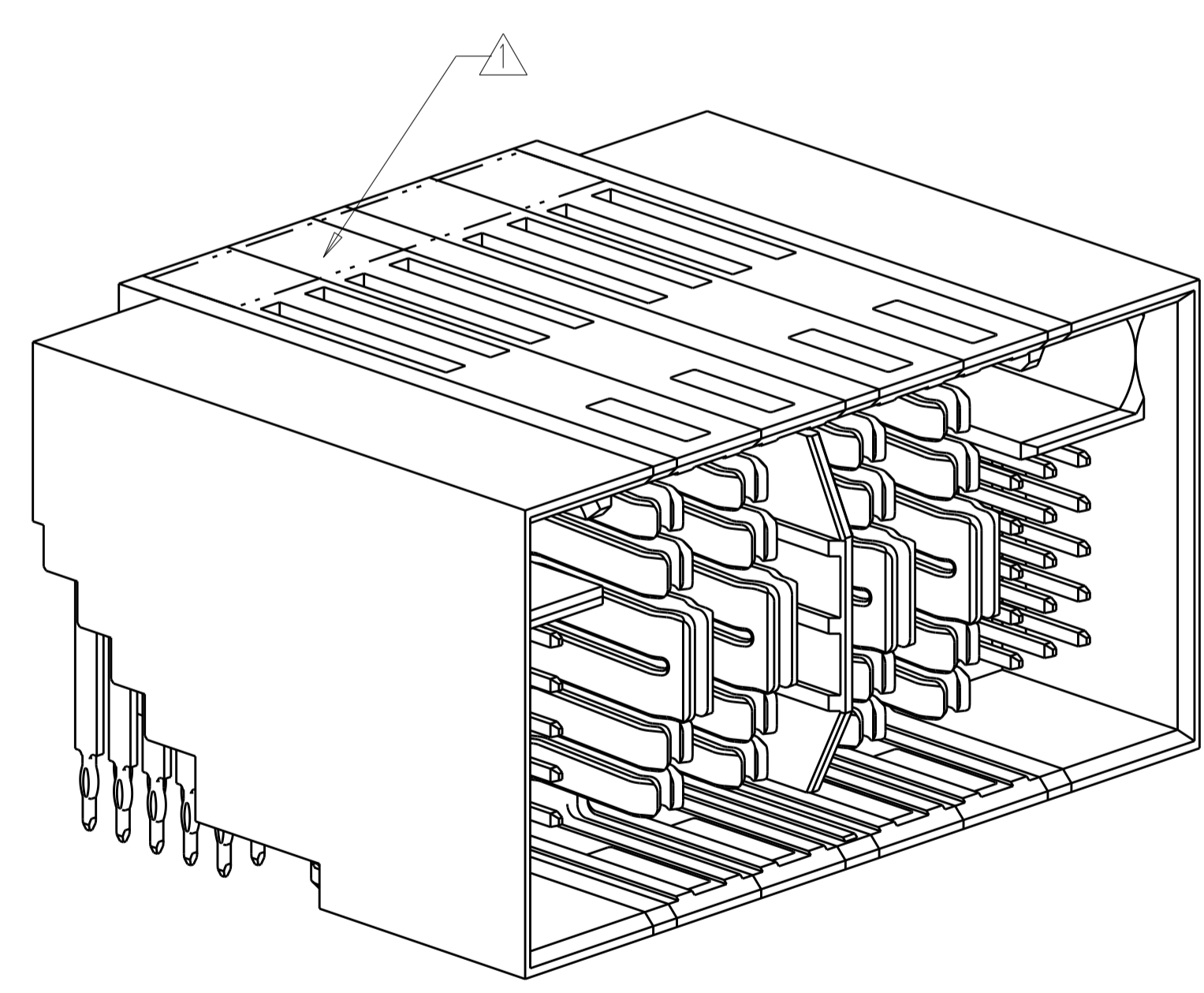
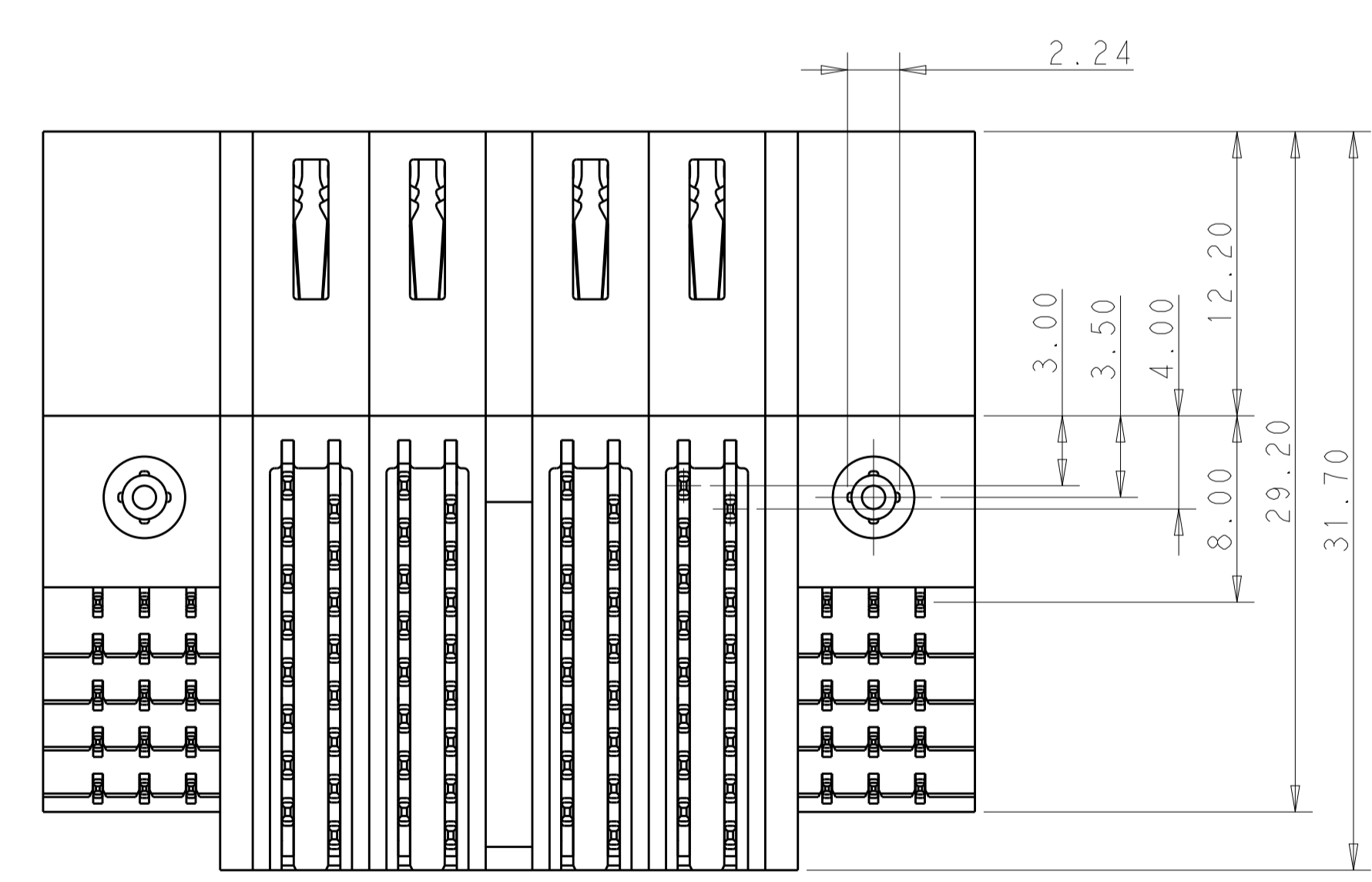


LOC		DIST		REVISIONS			
				REV	DATE	BY	APPV
		A1	ECR-16-002696		24DEC2015	TZ	SZ
							SZ



NOTES, UNLESS OTHERWISE SPECIFIED:

- △ "TE", PART NUMBER AND DATE CODE TO BE MARKED IN AREA SHOWN.
- △ MATERIAL:
 - HOUSING - GLASS FILLED HIGH TEMP THERMO PLASTIC, COLOR: BLACK, UL94 V- 0.
 - SIGNAL CONTACT - HIGH CONDUCTIVITY COPPER ALLOY.
 - POWER CONTACT - HIGH CONDUCTIVITY COPPER ALLOY.
- △ CONTACT PLATING:
 - MATING AREA - NOBLE METAL OVERALL NICKEL
 - TAIL SIDE AREA - MATTE TIN OVERALL NICKEL.
- 4. MECHANICAL CONNECTOR KEEP OUT ZONE.
- △ DATUM AND BASIC DIMENSIONS ESTABLISHED BY CUSTOMER.
- △ PCB - ALL HOLE DIAMETERS ARE FINISHED HOLE SIZES.
- △ PCB HOLE:
 - POWER - 1.15±0.025 MM DRILLED HOLES SIZE PLATING WITH 0.0076 MM MIN. Sn OVER 0.025~0.076 MM Cu PLATING TO ACHIEVE A 1.02 MM DIA. HOLE.
 - SIGNAL - 0.835±0.025 MM DRILLED HOLES SIZE PLATING WITH 0.0076 MM MIN. Sn OVER 0.025~0.076 MM Cu PLATING TO ACHIEVE A 0.72 MM DIA. HOLE.



50.00	42.40	39.85	24.70	7.70	5.00	5.00	15S+3P+3P+15S	2204440-8
33.00	25.40	22.85	-	7.70	5.00	-	15S+3P+12S	2204440-7
30.0	22.40	19.85	14.70	7.70	-	-	15S+1P+1P+15S	2204440-5/6
100.0	92.40	89.85	49.70	7.70	5.00	5.00	15S+8P+8P+15S	2204440-3
80.00	78.40	75.85	49.70	7.70	5.00	7.00	15S+8P+4HVP+15S	2204440-2
40.00	32.40	29.85	19.70	7.70	5.00	5.00	15S+2P+2P+15S	2204440-1
DIM L	DIM U	DIM N	DIM D	DIM W	DIM S	DIM T	DESCRIPTION	PART NUMBER

THIS DRAWING IS A CONTROLLED DOCUMENT. DWN: THOMAS_ZHAO 31OCT2012
CHK: SUNY_ZHAO 31OCT2012

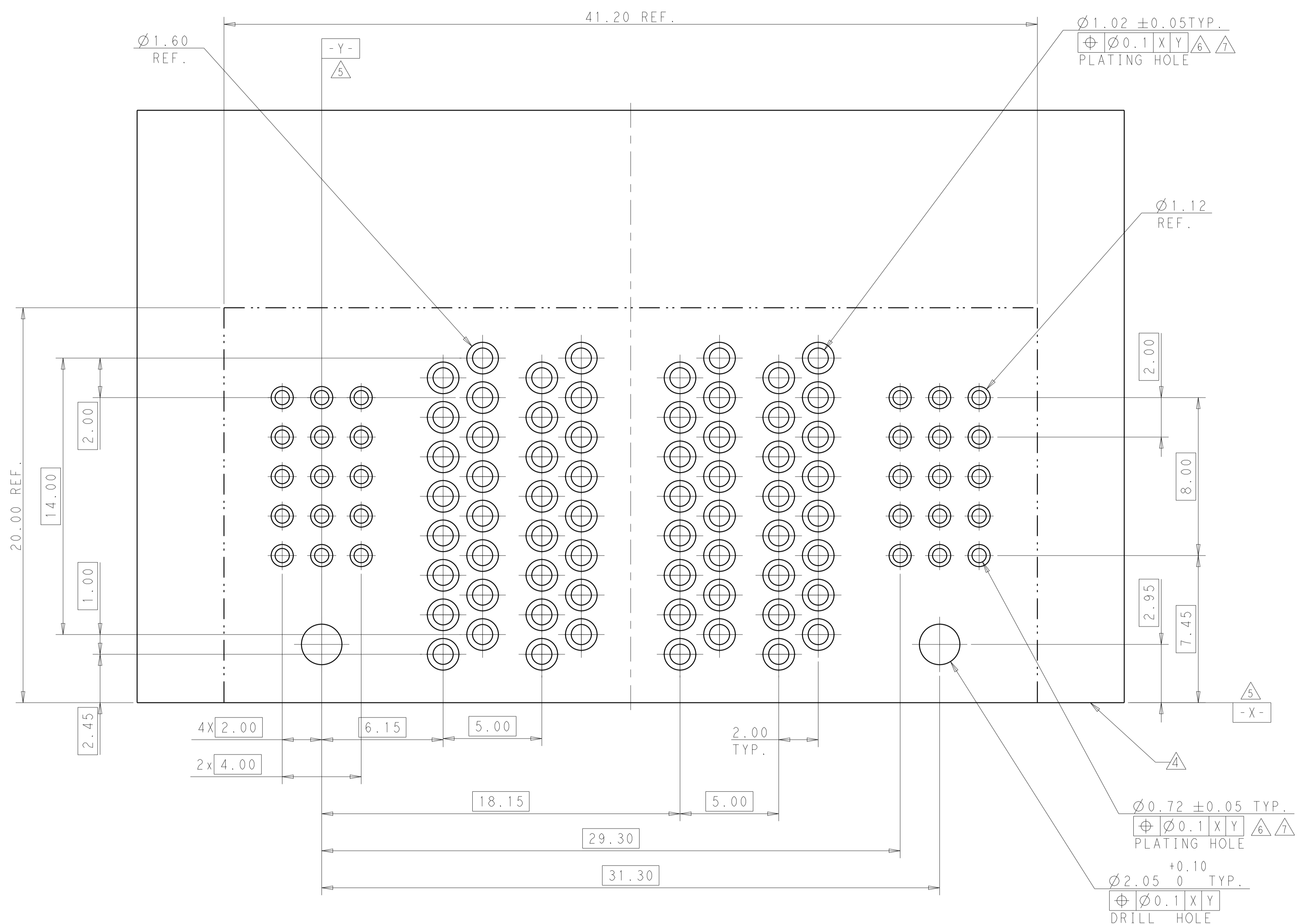
STE TE Connectivity

Customer Drawing
MULTI-BEAM HD CONNECTOR
R/A PLUG S+P+P+S

SIZE: A1 CAGE CODE: 2204440 DRAWING NO: 100779

SCALE: 4:1 SHEET 1 OF 6 REV: A1

LOC		DIST		REVISIONS			
P	LTN	DESCRIPTION	DATE	DWN	APVD		
-	-	SEE SHEET 1	-	-	-	-	-



PCB LAYOUT FOR P/N: 2204440-1

PART NUMBER	ROWS	SIGNAL			POWER				SIGNAL					
		1	2	3	P1	P2	P3	P4	4	5	6			
2204440-1	E	[Symbol]			PH	PH	PH	PH	[Symbol]					
	D	SH	SH	SH					SH	SH	SH	SH	SH	SH
	C	SH	SH	SH					SH	SH	SH	SH	SH	SH
	B	SH	SH	SH					SH	SH	SH	SH	SH	SH
	A	SH	SH	SH					SH	SH	SH	SH	SH	SH
15S+2HP+2HP+15S														

POWER CONTACT PRESS-FIT	PH
SIGNAL CONTACT PRESS-FIT STANDARD	SH1
SIGNAL CONTACT PRESS-FIT MLBF	SH2
SIGNAL/HP/SIGNAL WITH GUIDE	HOUSING
DESCRIPTION	CODE

THIS DRAWING IS A CONTROLLED DOCUMENT.

DWN: THOMAS ZHAO 31OCT2012
 CHK: SUNY ZHAO 31OCT2012
 APVD: SUNY ZHAO 31OCT2012

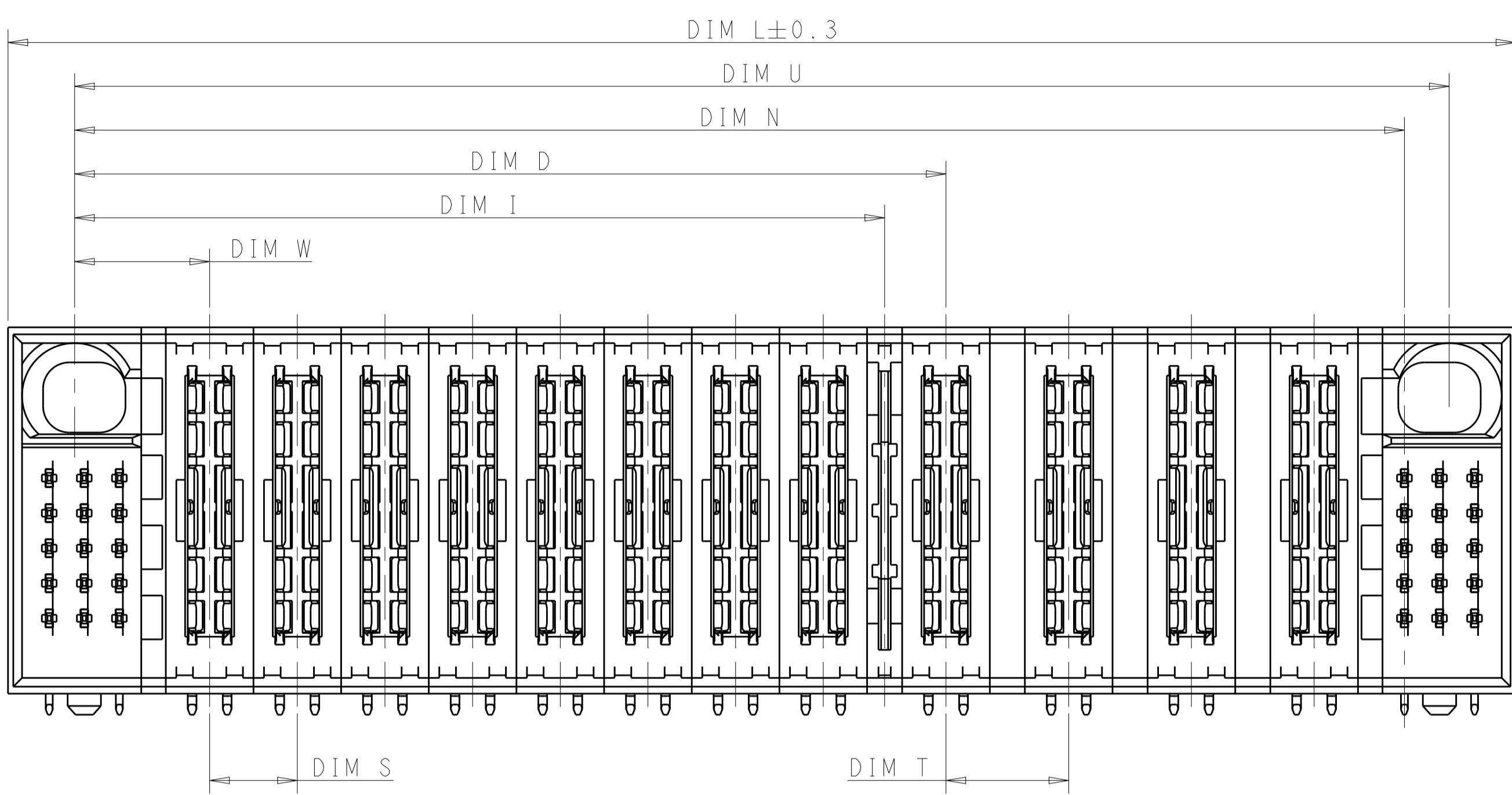
NAME: Customer Drawing
 MULTI-BEAM HD CONNECTOR
 R/A PLUG S+P+S

SIZE: A1
 CAGE CODE: 2204440
 DRAWING NO: 100779

SCALE: 4:1
 SHEET: 1 OF 6
 REV: A1

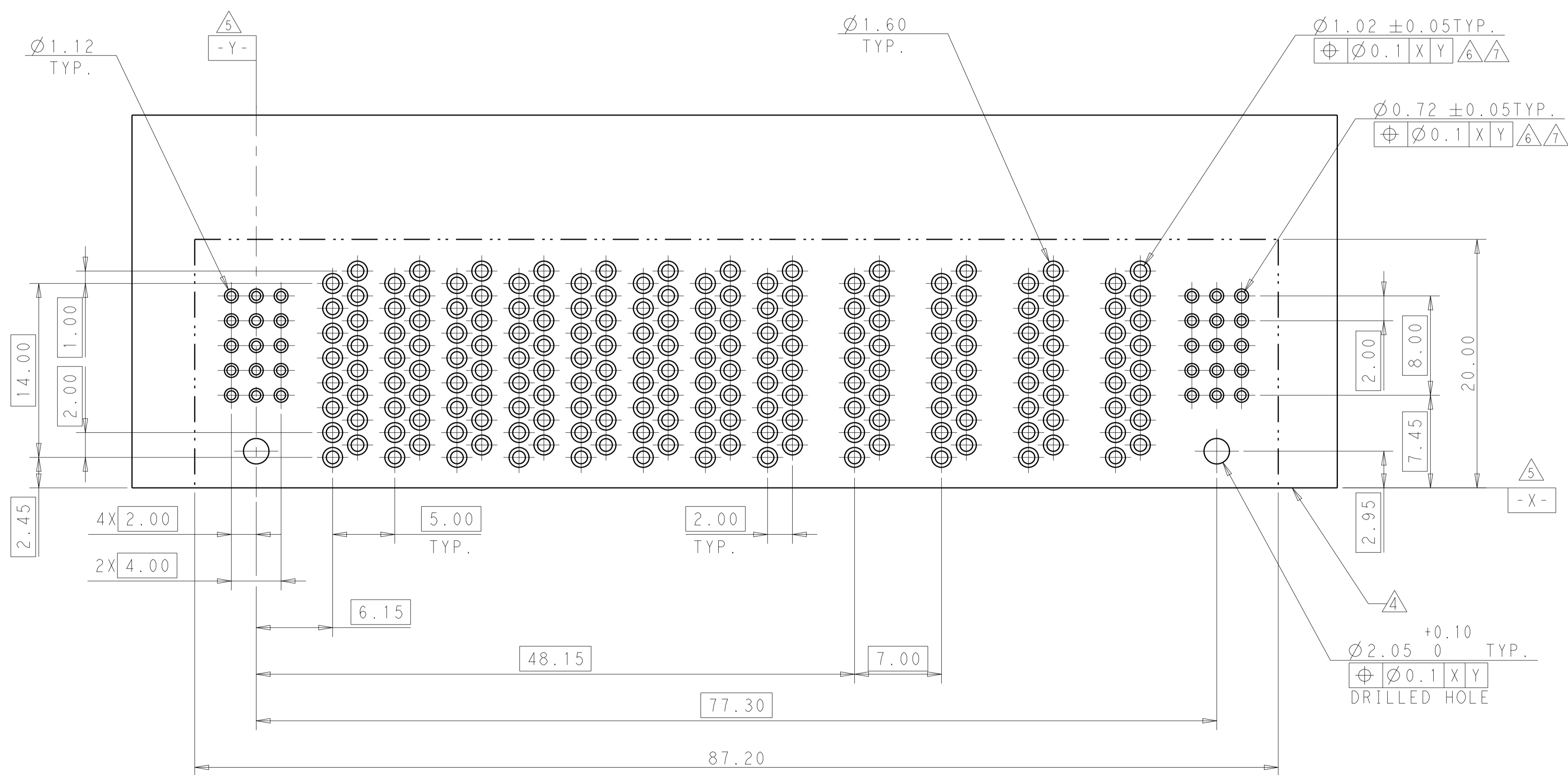
STE TE Connectivity

LOC	DIST	REVISIONS			
P	LTN	DESCRIPTION	DATE	DMN	APVD
-	-	SEE SHEET 1	-	-	-



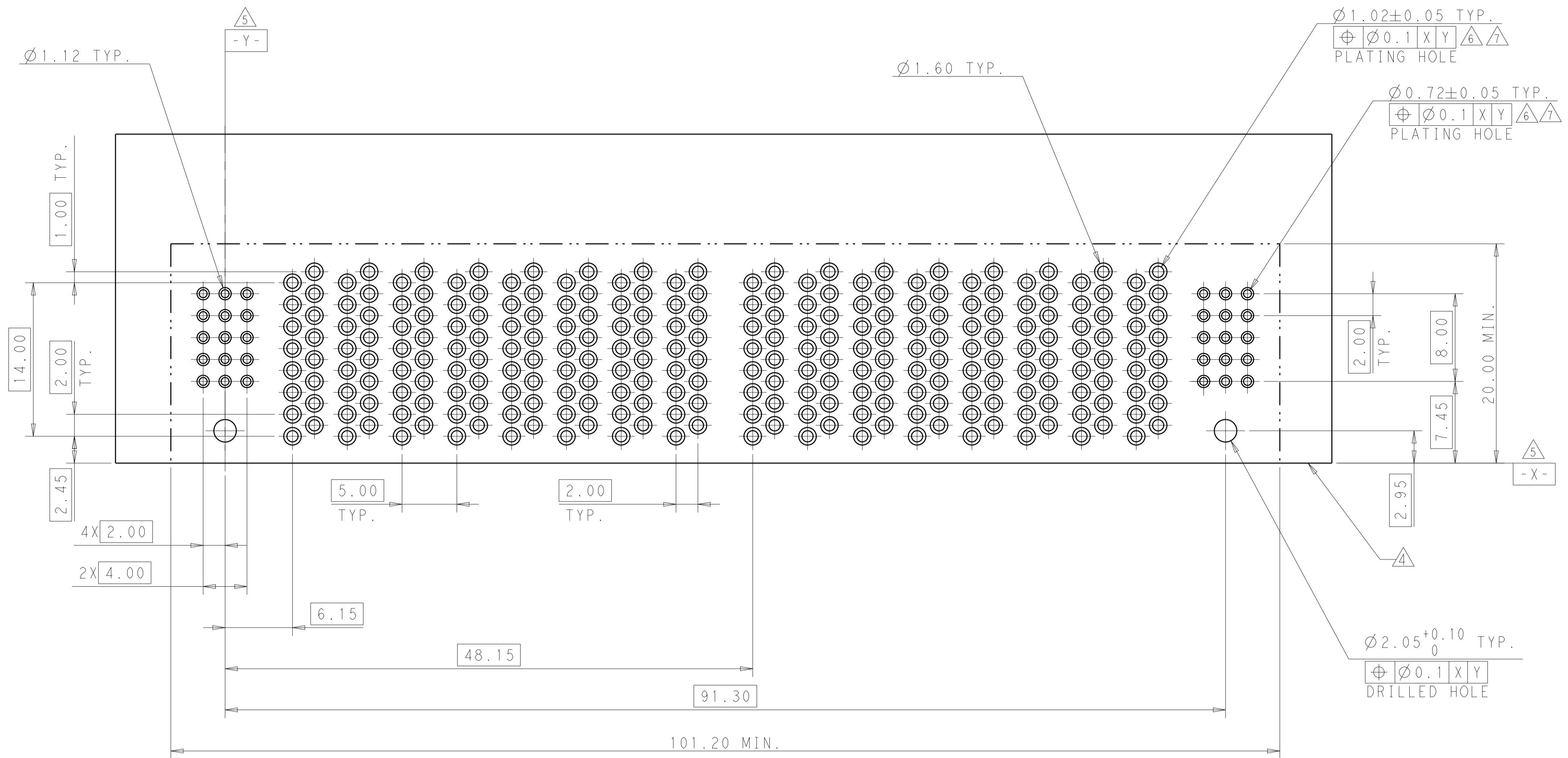
PART NUMBER	ROWS	SIGNAL			POWER												SIGNAL			
		1	2	3	P1	P2	P3	P4	P5	P6	P7	P8	P9	P10	P11	P12	4	5	6	
2204440-2	E	SHISHISHI			PH	PH	PH	PH	PH	PH	PH	PH	PH	PH	PH	PH	PH	PH	PH	SHISHISHI
	D	SHISHISHI			PH	PH	PH	PH	PH	PH	PH	PH	PH	PH	PH	PH	PH	PH	PH	SHISHISHI
	C	SHISHISHI			PH	PH	PH	PH	PH	PH	PH	PH	PH	PH	PH	PH	PH	PH	PH	SHISHISHI
	B	SHISHISHI			PH	PH	PH	PH	PH	PH	PH	PH	PH	PH	PH	PH	PH	PH	PH	SHISHISHI
	A	SHISHISHI			PH	PH	PH	PH	PH	PH	PH	PH	PH	PH	PH	PH	PH	PH	PH	SHISHISHI

15S+8P+4HVP+15S



THIS DRAWING IS A CONTROLLED DOCUMENT.		DMN THOMAS ZHAO 31OCT2012	 TE Connectivity
DIMENSIONS: mm		CHK SUNY ZHAO 31OCT2012	
TOLERANCES UNLESS OTHERWISE SPECIFIED:		APVD SUNY ZHAO 31OCT2012	NAME Customer Drawing
0 PLC ±0.4		PRODUCT SPEC	MULTI-BEAM HD CONNECTOR
1 PLC ±0.4		APPLICATION SPEC	R/A PLUG S+P+S
2 PLC ±0.75		SIZE CAGE CODE DRAWING NO	RESTRICTED TO
3 PLC ±1.15		WEIGHT	A100779C=2204440
4 PLC ±1.5		CUSTOMER DRAWING	SCALE 4:1 SHEET 1 OF 6 REV A1
ANGLES ±°			

LOC	DIST	REVISIONS			
P	LTN	DESCRIPTION	DATE	DMN	APVD
-	-	SEE SHEET 1	-	-	-

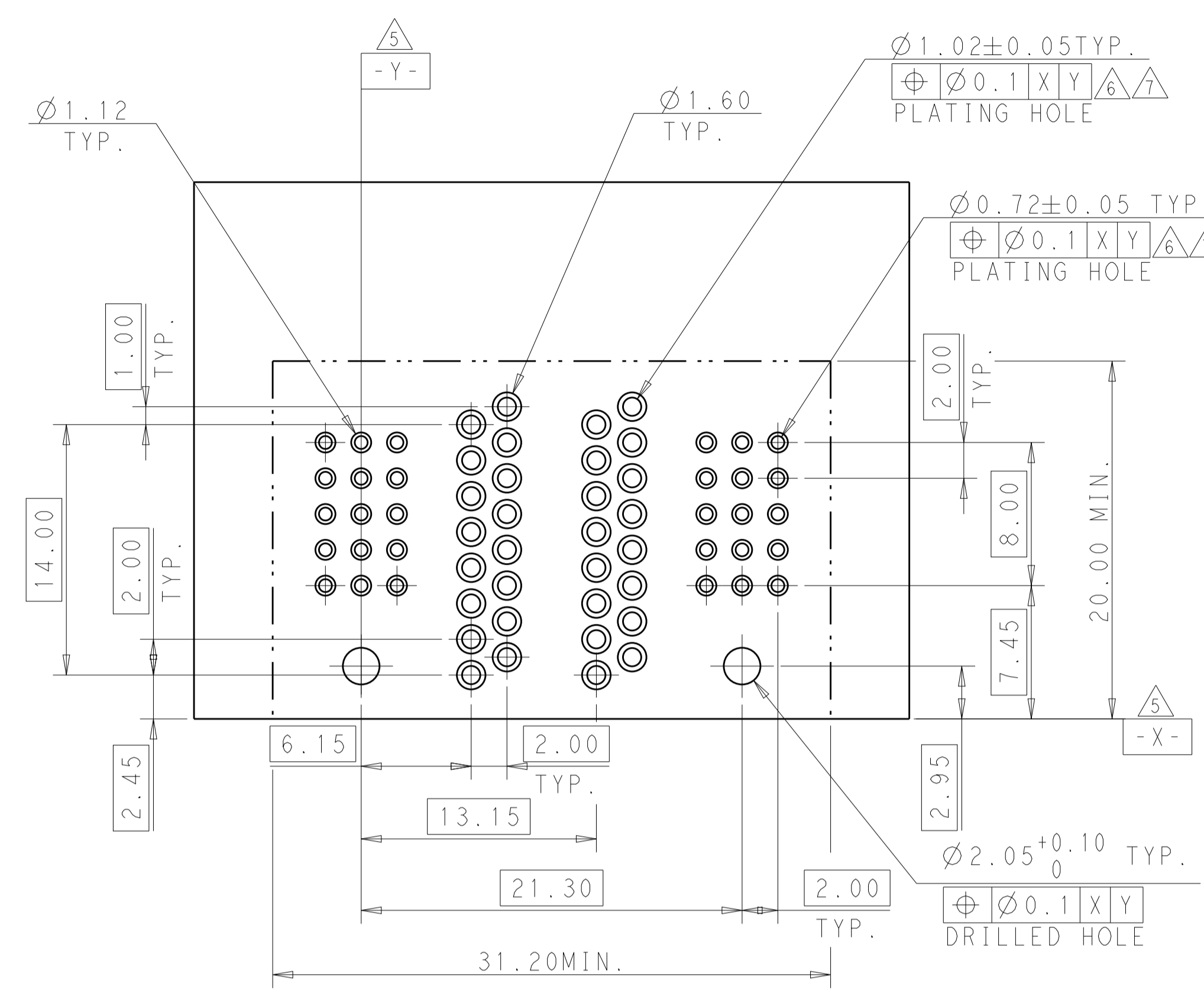


PART NUMBER	ROWS	SIGNAL			POWER												SIGNAL						
		1	2	3	P1	P2	P3	P4	P5	P6	P7	P8	P9	P10	P11	P12	P13	P14	P15	P16	4	5	6
2204440-3	E	SH	SH	SH	PH	PH	PH	PH	PH	PH	PH	PH	PH	PH	PH	PH	PH	PH	PH	PH	SH	SH	SH
	D	SH	SH	SH	PH	PH	PH	PH	PH	PH	PH	PH	PH	PH	PH	PH	PH	PH	PH	PH	SH	SH	SH
	C	SH	SH	SH	PH	PH	PH	PH	PH	PH	PH	PH	PH	PH	PH	PH	PH	PH	PH	PH	SH	SH	SH
	B	SH	SH	SH	PH	PH	PH	PH	PH	PH	PH	PH	PH	PH	PH	PH	PH	PH	PH	PH	SH	SH	SH
	A	SH	SH	SH	PH	PH	PH	PH	PH	PH	PH	PH	PH	PH	PH	PH	PH	PH	PH	PH	SH	SH	SH

15S+8P+8P+15S

THIS DRAWING IS A CONTROLLED DOCUMENT.		DMN THOMAS_ZHAO 31OCT2012	 TE Connectivity
DIMENSIONS: mm		CHK SUNY_ZHAO 31OCT2012	
TOLERANCES UNLESS OTHERWISE SPECIFIED: 0 PLC ±0.4 1 PLC ±0.4 2 PLC ±0.25 3 PLC ±0.15 4 PLC ±0.15 ANGLES ±°		APVD SUNY_ZHAO 31OCT2012	NAME Customer Drawing
MATERIAL		WEIGHT	PRODUCT SPEC
FINISH		RESTRICTED TO	APPLICATION SPEC
CUSTOMER DRAWING		SCALE 4:1	SIZE A1
		SHEET 1 OF 6	REVISION A1

LOC		DIST		REVISIONS			
P	LTN	DESCRIPTION	DATE	DWN	APVD		
-	-	SEE SHEET 1	-	-	-		



LAYOUT FOR PART NUMBER:
2204440-5/2204440-6

PART NUMBER	ROWS	SIGNAL			POWER		SIGNAL			
		1	2	3	P1	P2	4	5	6	
2204440-5	E	[Diagram]			PH	PH	[Diagram]			
	D	SH	SH	SH			SH	SH	SH	SH
	C	SH	SH	SH			SH	SH	SH	SH
	B	SH	SH	SH			SH	SH	SH	SH
	A	SH	SH	SH			SH	SH	SH	SH
15S+1P+1P+15S										

PART NUMBER	ROWS	SIGNAL			POWER		SIGNAL			
		1	2	3	P1	P2	4	5	6	
2204440-6	E	[Diagram]			PH	PH	[Diagram]			
	D	SH	SH	SH			SH	SH	SH	SH
	C	SH	SH	SH			SH	SH	SH	SH
	B	SH	SH	SH			SH	SH	SH	SH
	A	SH	SH	SH			SH	SH	SH	SH2
15S+1P+1P+12S										

THIS DRAWING IS A CONTROLLED DOCUMENT.

DWN: THOMAS_ZHAO 31OCT2012
CHK: SUNY_ZHAO 31OCT2012
APVD: SUNY_ZHAO 31OCT2012

NAME: Customer Drawing
PRODUCT SPEC: MULTI-BEAM HD CONNECTOR
APPLICATION SPEC: R/A PLUG S+P+P+S

SIZE: A1 CAGE CODE: 2204440 DRAWING NO: 100779

MATERIAL: - FINISH: - WEIGHT: - RESTRICTED TO: -

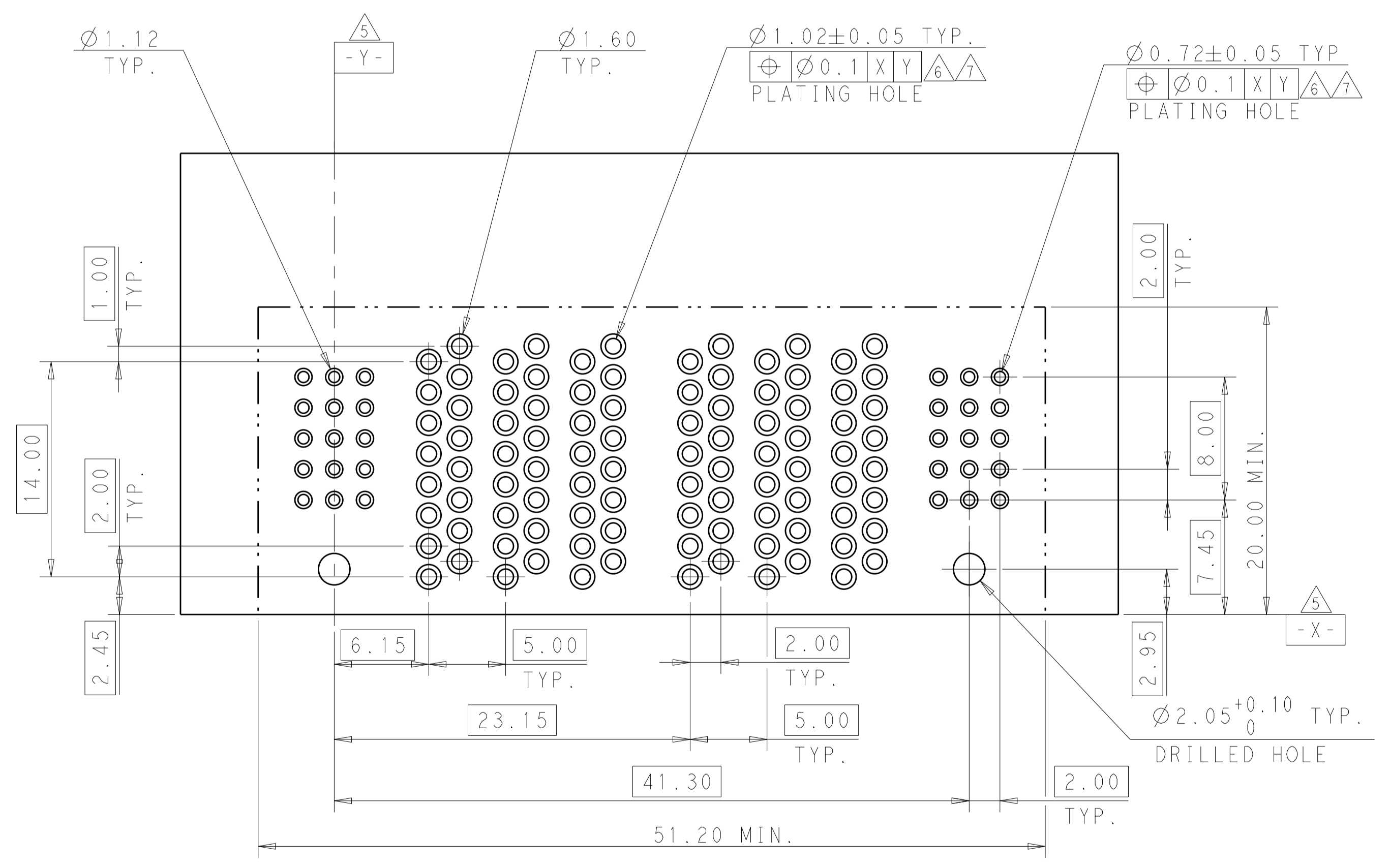
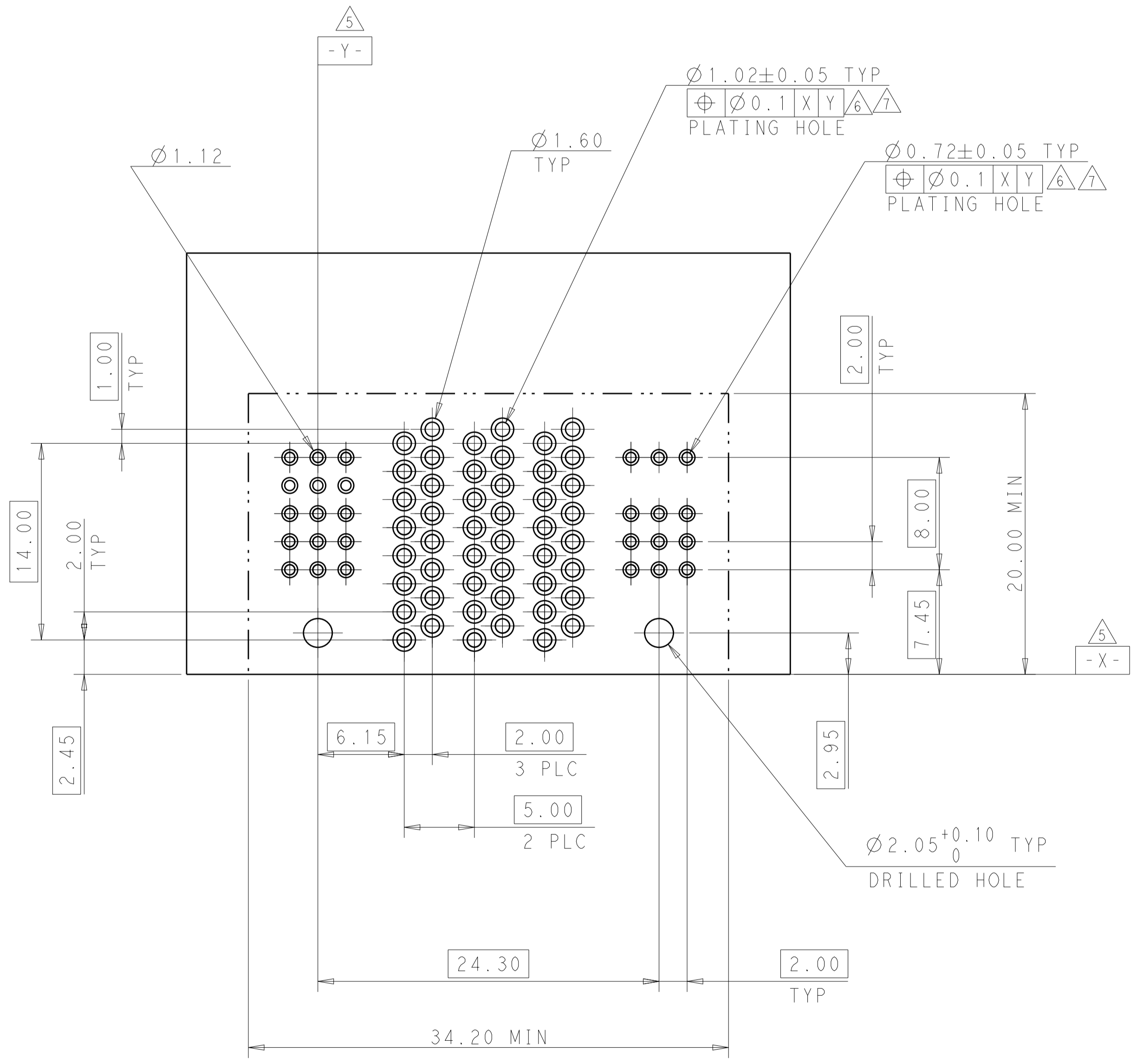
CUSTOMER DRAWING SCALE: 4:1 SHEET: 1 OF 6 REV: A1

4805 (3/11)

LOC	DIST	REVISIONS			
P	LTM	DESCRIPTION	DATE	DWN	APVD
-	-	SEE SHEET 1	-	-	-

PART NUMBER	ROWS	SIGNAL			POWER			SIGNAL		
		1	2	3	P1	P2	P3	4	5	6
2204440-7	E	SH	SH	SH	PH	PH	PH	SH	SH	SH
	D	SH	SH	SH						
	C	SH	SH	SH				SH	SH	SH
	B	SH	SH	SH				SH	SH	SH
	A	SH	SH	SH				SH	SH	SH
15S+3P+12S										

PART NUMBER	ROWS	SIGNAL			POWER						SIGNAL		
		1	2	3	P1	P2	P3	P4	P5	P6	4	5	6
2204440-8	E	SH	SH	SH	PH	PH	PH	PH	PH	PH	SH	SH	SH
	D	SH	SH	SH							SH	SH	SH
	C	SH	SH	SH							SH	SH	SH
	B	SH	SH	SH							SH	SH	SH
	A	SH	SH	SH							SH	SH	SH
15S+3P+3P+15S													



THIS DRAWING IS A CONTROLLED DOCUMENT.		DWN THOMAS ZHAO 31OCT2012	 TE Connectivity
DIMENSIONS: mm		CHK SUNY ZHAO 31OCT2012	
TOLERANCES UNLESS OTHERWISE SPECIFIED:		APVD SUNY ZHAO 31OCT2012	NAME Customer Drawing
0 PLC ±0.4		PRODUCT SPEC	MULTI-BEAM HD CONNECTOR
1 PLC ±0.4		APPLICATION SPEC	R/A PLUG S+P+S
2 PLC ±0.75		SIZE CAGE CODE DRAWING NO	A100779C=2204440
3 PLC ±1.5		RESTRICTED TO	
4 PLC ±		WEIGHT	
ANGLES ±		CUSTOMER DRAWING	SCALE 4:1 SHEET 1 OF 6 REV A1
FINISH			