



*Representative photograph, actual product appearance may vary.*

*Due to regional agency approval requirements, some products may not be available in your area. Please contact your regional Honeywell office regarding your product of choice.*

## HOA1404-002

**HOA Series Reflective Sensor, Transistor Output, Metal Can Packaged Components**

### Features

- Choice of phototransistor or photodarlington output
- Focused for maximum response
- Wide operating temperature range [-55 °C to 100 °C]

### Description

The HOA1404 series consists of an infrared emitting diode and an NPN silicon phototransistor (HOA1404-001, -002) or photodarlington (HOA1404-003), encased side-by-side on converging optical axes, in a black thermoplastic housing. The detector responds to radiation from the IRED only when a reflective object passes within its field of view. The HOA1404 series employs metal can packaged components. For additional component information see SE1450, SD1440 and SD1410.

Housing material is acetal copolymer. Housings are soluble in chlorinated hydrocarbons and ketones. Recommended cleaning agents are methanol and isopropanol.



## HOA1404-002

**HOA Series Reflective Sensor, Transistor Output, Metal Can Packaged Components**

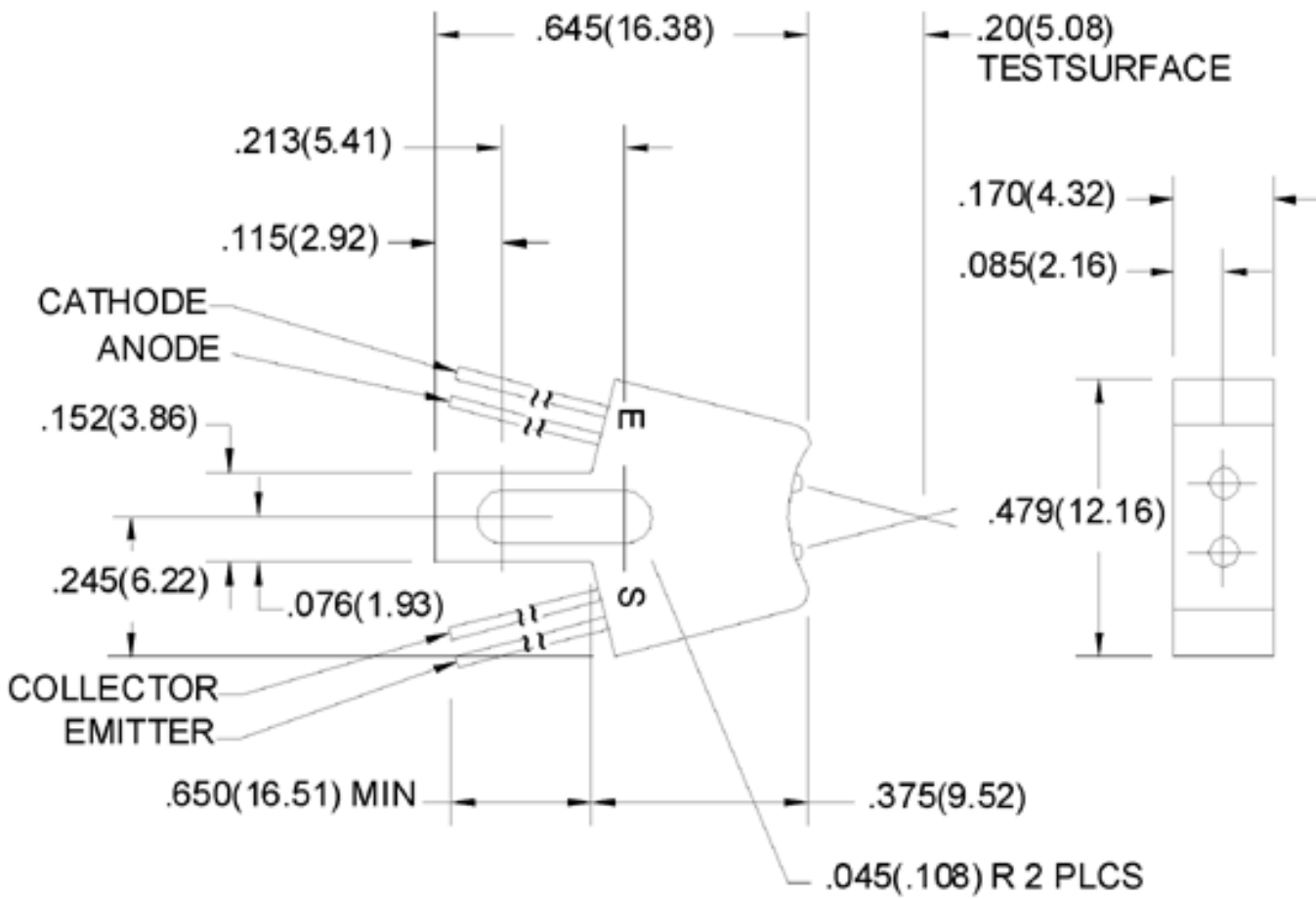
Product Specifications	
<b>Product Type</b>	IR Switch
<b>On-State Collector Current</b>	0.80 mA
<b>Output</b>	Transistor
<b>Package Style</b>	Side-Looking
<b>Package Components</b>	Plastic
<b>Package Color</b>	Black
<b>Forward Current</b>	30 mA
<b>Continuous Forward Current</b>	50 mA
<b>Forward Voltage</b>	1.6 V

<b>Reverse Breakdown Voltage</b>	3 V
<b>Reverse Current</b>	10 $\mu$ A
<b>Housing Material</b>	Acetal Copolymer
<b>Rise and Fall Time</b>	15 $\mu$ s
<b>Power Dissipation</b>	75 mW
<b>Operating Temperature Range</b>	-55 °C to 100 °C [-67 °F to 212 °F]
<b>Dark Current</b>	100 nA
<b>Collector DC Current</b>	30 mA
<b>Collector-Emitter Breakdown Voltage</b>	30 V
<b>Emitter-Collector Breakdown Voltage</b>	5 V
<b>Collector-Emitter Saturation Voltage</b>	0.4 V
<b>Availability</b>	Global
<b>Product Name</b>	Reflective Sensor
<b>Optimum Point of Response</b>	5,08 mm [0.20 in]

# Honeywell

## HOA1404-002

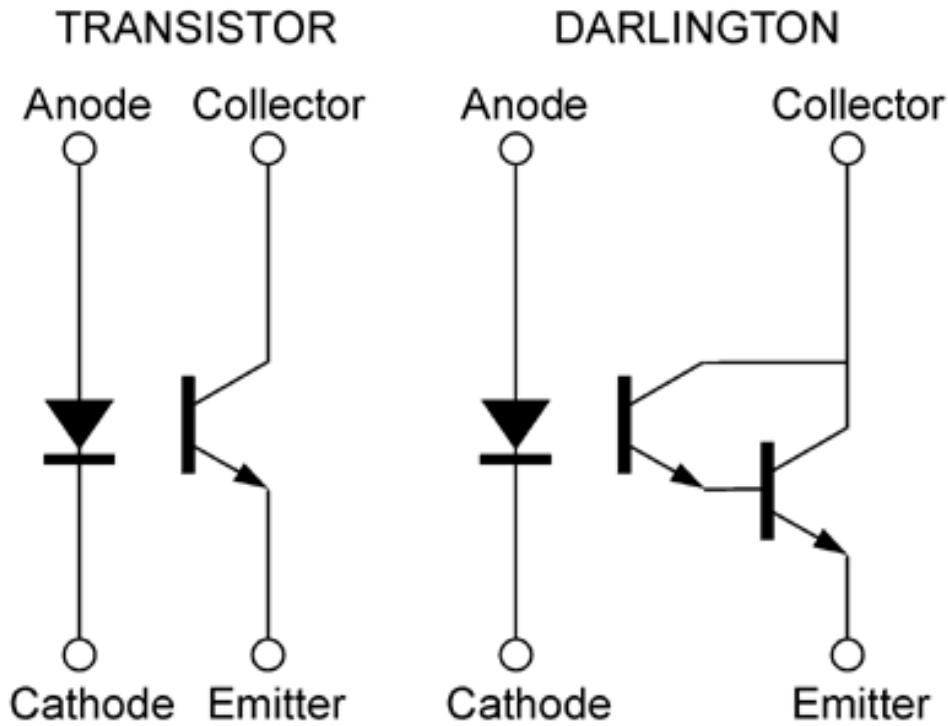
HOA Series Reflective Sensor, Transistor Output, Metal Can Packaged Components



**Honeywell**

## HOA1404-002

HOA Series Reflective Sensor, Transistor Output, Metal Can Packaged Components



**Honeywell**

## HOA1404-002

HOA Series Reflective Sensor, Transistor Output, Metal Can Packaged Components

### **⚠ WARNING**

#### **PERSONAL INJURY**

DO NOT USE these products as safety or emergency stop devices, or in any other application where failure of the product could result in personal injury.

**Failure to comply with these instructions could result in death or serious injury.**

## **WARNING**

### **MISUSE OF DOCUMENTATION**

- The information presented in this product sheet (or catalog) is for reference only. DO NOT USE this document as product installation information.
- Complete installation, operation and maintenance information is provided in the instructions supplied with each product.

**Failure to comply with these instructions could result in death or serious injury.**

© Copyright Honeywell Inc. 1998-2004 All rights reserved.