

# LED Module Specifications

## PRODUCT SPECIFICATION

**Model No.: FYLM-5074UWC-01-06-12V-W**

Applications:
<ul style="list-style-type: none"> <li>■ Channel Letters</li> <li>■ Lighting source for shop windows</li> <li>■ Indoor Decoration Lighting</li> <li>■ Advertising Signs</li> <li>■ Replacement for Neon</li> </ul>



CUSTOMER APPROVED SIGNATURES	APPROVED BY	CHECKED BY	PREPARED BY

**NINGBO FORYARD OPTOELECTRONICS CO.,LTD.**

**Add:** NO.115 Qixin Road Ningbo Zhejiang China

**Zip:** 315042

**Tel:** 0086-574-87933652 87927870 87922206

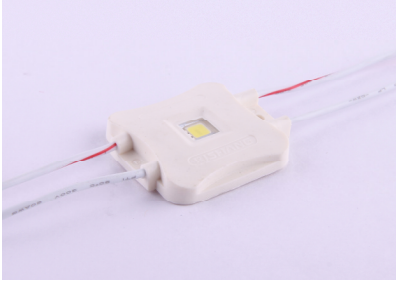
**Fax:** 0086-574-87927917

**E-mail:** Sales@foryard.com (General)

[Http://www.foryard.com](http://www.foryard.com)

Model No.: FYLM-5074UWC-01-06-12V-W

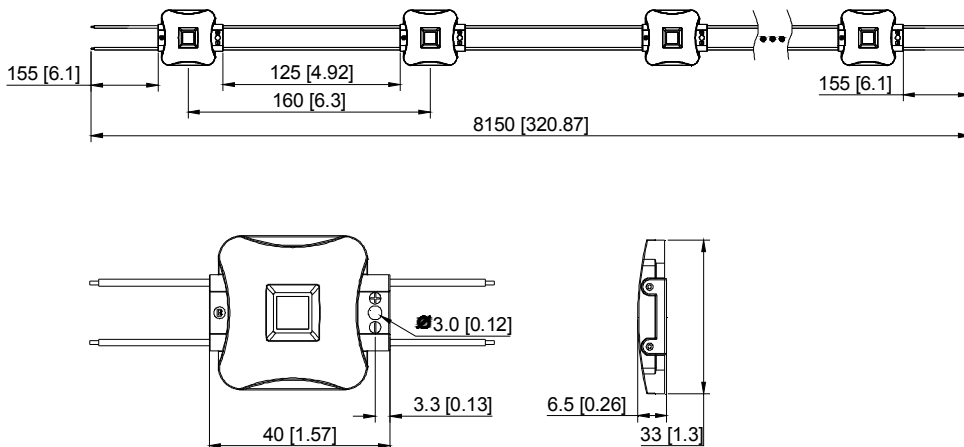
■ Photo



■ Features

1. High luminous efficacy with 5074 SMD LED mounted
2. High-pressure injection technology
3. Maximum module quantity per string up to 50 pcs
4. Long life, excellent heat dissipation with PVC housing and aluminum PCB
5. Constant current technology
6. Certification: CE, RoHS, UL94 V-0

■ Profile Drawings



Notes:

1. All dimensions are millimeters.
2. Tolerance is  $\pm 1$ mm unless otherwise specified.
3. Specifications are subject to change without notice.

**Model No.: FYLM-5074UWC-01-06-12V-W**

**Rating Electrical/Optical Characteristics(1 PCS)**

Item	White
Color Temperature(K)	6000
Wavelength(nm)	
Luminous Flux(lm/piece)	80
CRI	≥75
Luminous Efficiency(lm/W)	67
Working Voltage (V )	DC12
Beam Angle (°)	115
Working Current	100
Power(W/piece)	1.2
net weight:(g)	11
LED Quantity(pcs)	1
Dimension:(mm)	40.0*33.0*6.5
Life Time(hrs)	13000
Operation Temperature(°C)	-25~+60
IP Grade	IP 65
Approval	CE (NO: E8 06 01 57489 001)

**Rating Electrical/Optical Characteristics(40 PCS)**

LED Color	White
Power Dissipation	48W
Total Length	8.15m±0.1m
Input Current(mA)	4000
Weight	440g

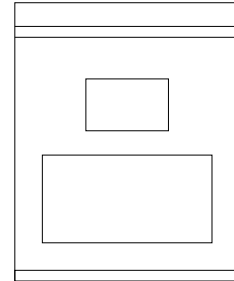
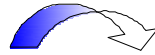
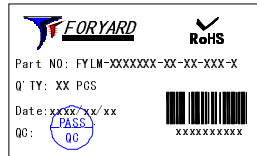
Notes:

1. Testing environment temperature: 25±2°C
2. The above data are typical values; the actual data of each single product could differ from the typical values. The data subject to change without prior notice.

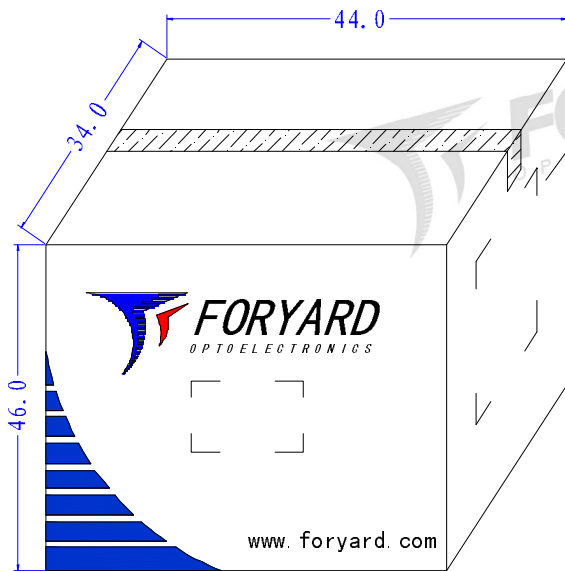
**Model No.: FYLM-5074UWC-01-06-12V-W**

**Package(5 meters)**

The backsides of all products will stick '3M' branded double-sided sticker with 10mm width.

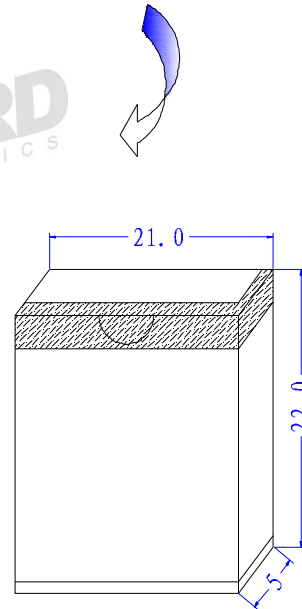
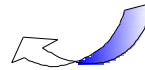


XPCS/Polybag



24Boxes/Carton

OUTSIDE LABEL



xPolybags/Box



OUTSIDE LABEL

Note: The specifications are subject to change without notice. Please contact us for updated information.