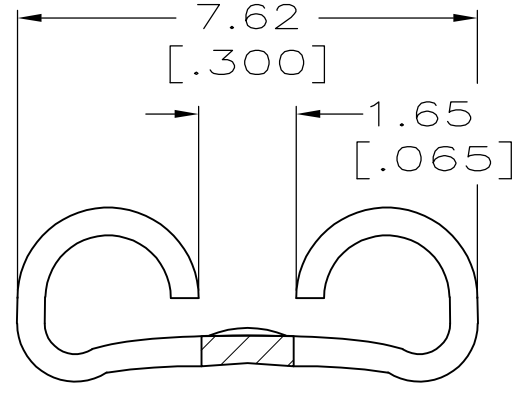
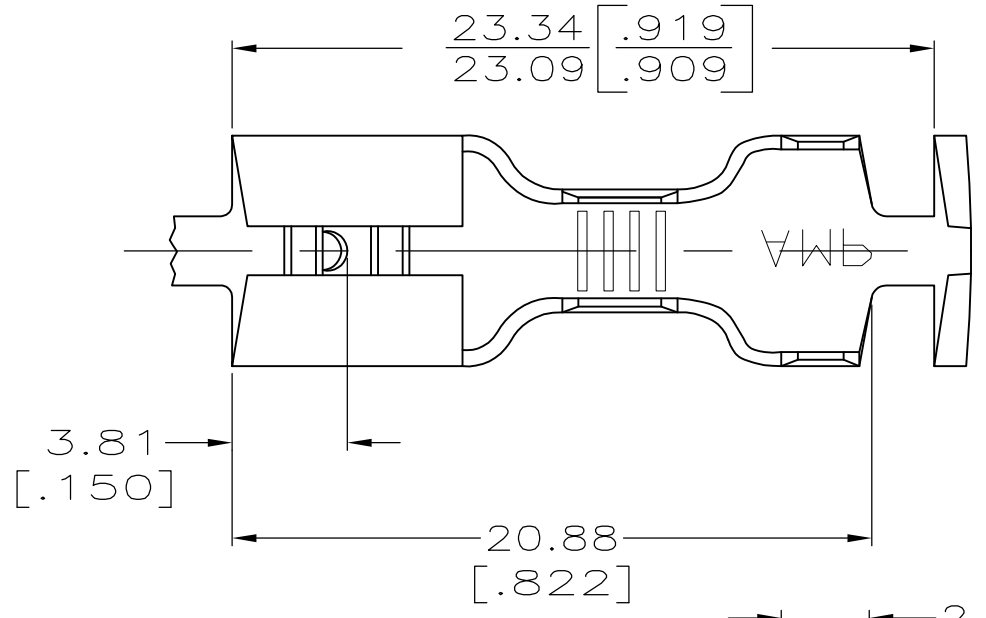


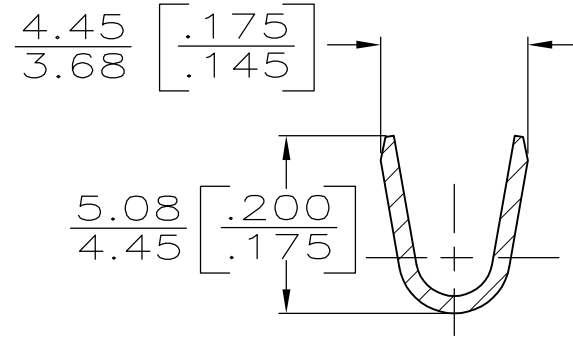
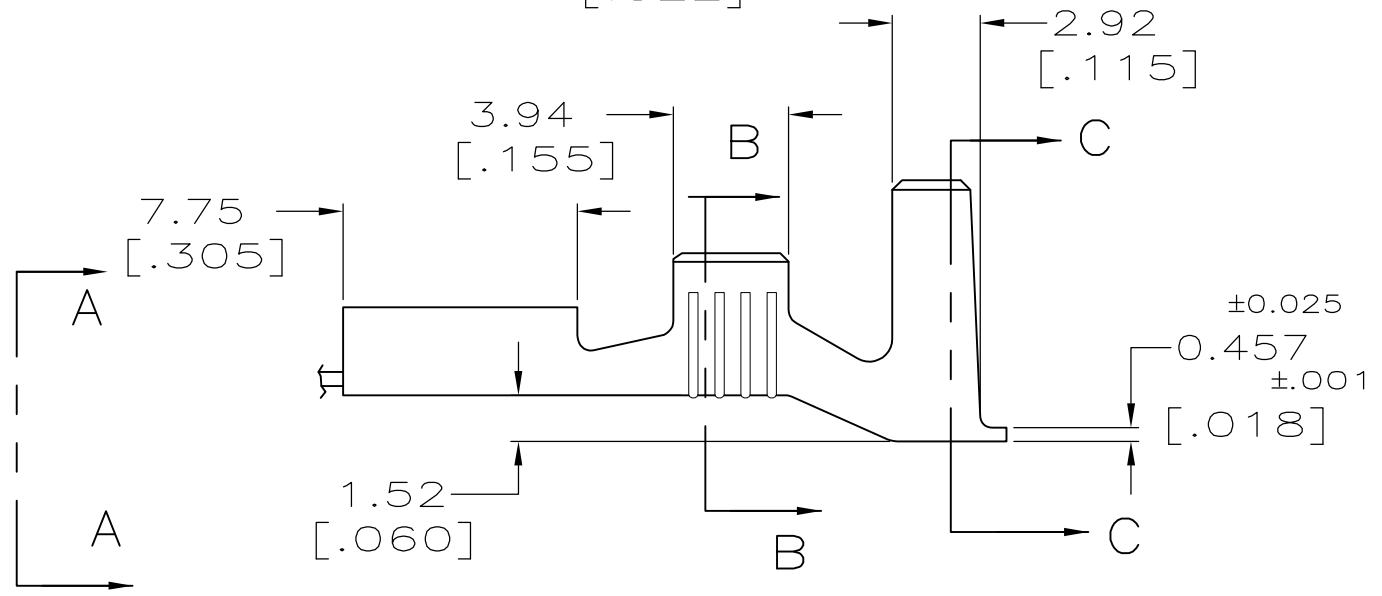
THIS DRAWING IS UNPUBLISHED. RELEASED FOR PUBLICATION  
 © COPYRIGHT - By - ALL RIGHTS RESERVED.

LOC	DIST	REVISIONS			
P	LTR	DESCRIPTION	DATE	DWN	APVD
AF	50	T	REVISED PER ECR-12-013445	18OCT12	KH PD

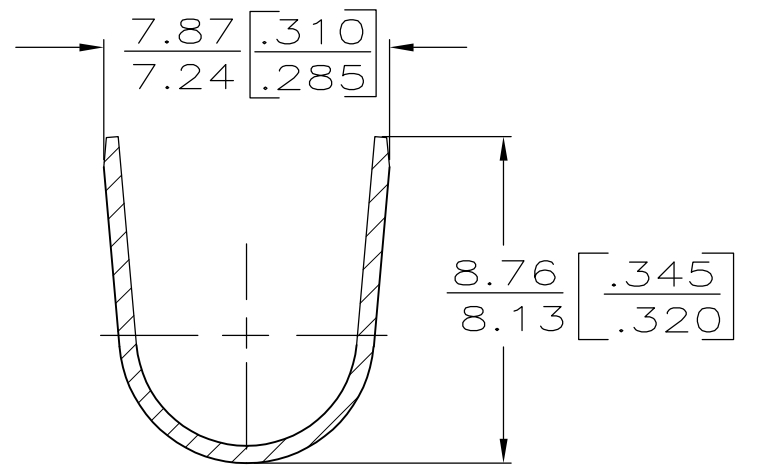
1 CONTINUOUS STRIP ON REELS



VIEW A-A  
SCALE 8:1




SECTION B-B  
SCALE 5:1



SECTION C-C  
SCALE 5:1

5.33-6.73 or (2) 3.05 [.210-.265] or (2) [.120]	1.3-3.0mm <sup>2</sup> or (2) 0.8mm <sup>2</sup> [16-12] or (2) [#18's]	0.813 [.032]	41728
INSULATION RANGE	WIRE SIZE	MATING TAB THK ±0.025 [.001]	PART NO.

THIS DRAWING IS A CONTROLLED DOCUMENT.		DWN JR RUTH 7/10/89	 TE Connectivity	
DIMENSIONS: mm [INCHES]		CHK MS FEHER 7/10/89		
TOLERANCES UNLESS OTHERWISE SPECIFIED:		APVD R KUZO 7/10/89	NAME RECEPTACLE, FASTON, .250 SERIES	
0 PLC ± - 1 PLC ± - 2 PLC ± - 3 PLC ± 0.38 [.015] 4 PLC ± - ANGLES ± -		PRODUCT SPEC -	APPLICATION SPEC -	
MATERIAL BRASS	FINISH TIN	WEIGHT -	SIZE A3	CAGE CODE 00779
CUSTOMER DRAWING			DRAWING NO C-41728	RESTRICTED TO -
SCALE 4:1			SHEET 1 OF 1	REV T