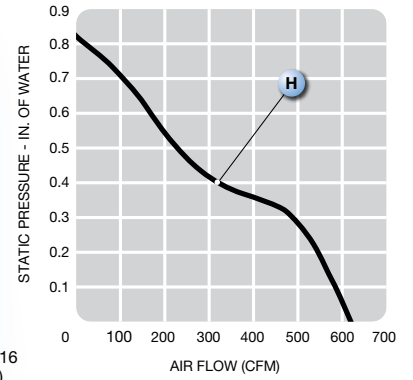
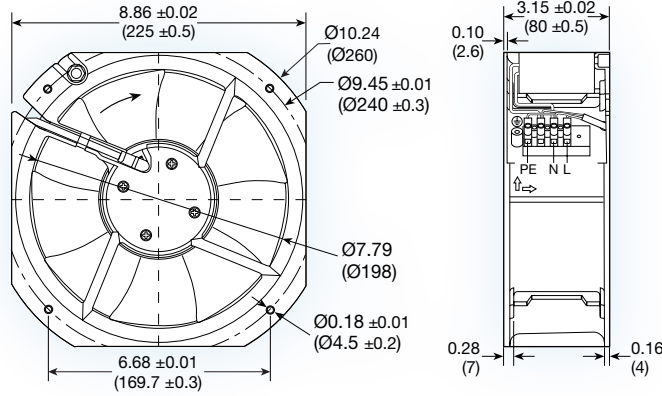


# UF200BMB-H2 series



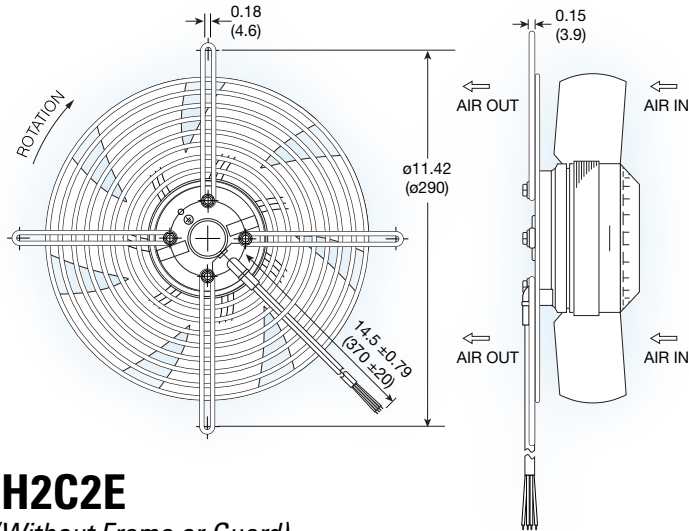
**(225 x 225 x 80 mm)**  
8.86 x 8.86 x 3.15 inches

See page 43 for part system

<b>Features:</b>	<b>-20° ~ 70°C operating temperature range</b>
<b>Operating voltage:</b>	115 or 230 VAC
<b>Construction:</b>	metal frame and impeller
<b>Bearing option:</b>	ball bearing with high temp lubricant
<b>Motor:</b>	permanent split capacitor - Class F insulation
<b>Air Flow:</b>	exhaust over struts
<b>Connection:</b>	terminal
<b>Protection:</b>	thermal

Model No.	Rated Voltage V	Freq. HZ	Input Power W	Rated Cur. A	Locked Cur. A	Speed RPM	Air Volume		Max. Static Pressure (H <sub>2</sub> O)		Sound Noise dba	Weight kg
							M <sup>3</sup> /Min.	CFM	MM	INCH		
UF200BMB12-H2	115	60	100	0.88	1.31	3,000	17.7	625	20.5	0.81	61	1.40
UF200BMB23-H2	230	60	80	0.37	0.61	3,000	17.7	625	20.5	0.81	61	1.40

## -H2C2B (With Guard/No Frame)



## -H2C2E (Without Frame or Guard)

