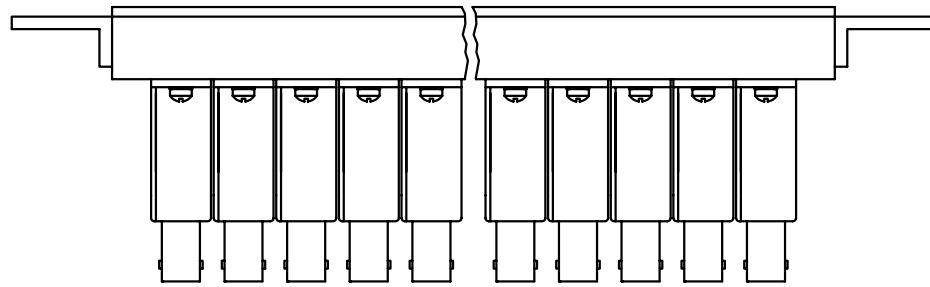
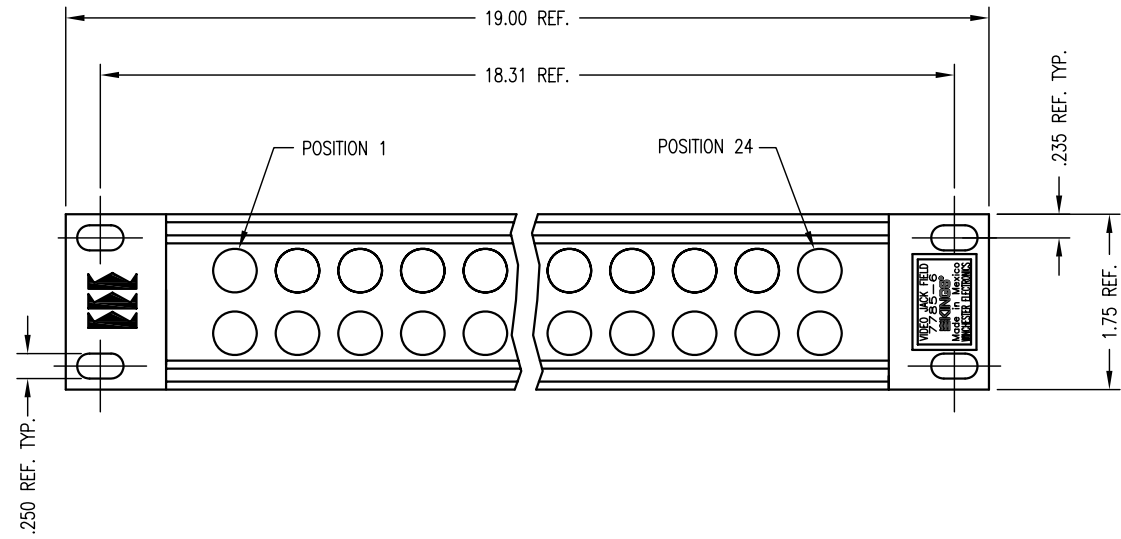
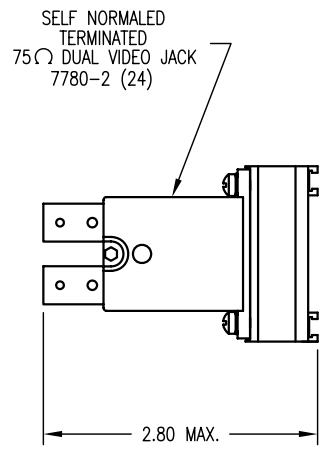


DASH NO.	M CODE	MADE FROM
----------	--------	-----------



- NOTES:
- PANEL-
MATERIALS-
VIDEO PANEL: PHENOLIC, TYPE BIE
RETAINER: SPRING BRASS, QQ-B-613
SCREWS: STAINLESS STEEL
ALL OTHER METAL PARTS: COLD ROLLED STEEL
FINISHES-
SCREWS: PASSIVATE PER QQ-P-35
MODULAR PANEL ASSY: BLACK PAINT
 - DUAL VIDEO JACK (7780-2)-
INSULATING MATERIALS: ZYTEL, DELRIN & TEFLON, ASTM-D-4894
SCREWS: ST. ST., QQ-S-763
CONTACTS: BER. COP., ASTM-B-196
ALL OTHER PARTS: BRASS, ASTM-B16
FINISHES-
CONTACTS: HARD GOLD PLATE PER MIL-G-45204 OVER NICKEL PLATE PER QQ-N-290.
SCREWS: PASSIVATE PER QQ-P-35
ALL OTHER METAL PARTS: KINGS TARNISH RESISTANT FINISH (TR-5)
- ELECTRICAL CHARACTERISTICS:
NOMINAL IMPEDANCE: 75 OHMS
VOLTAGE RATING: 350 VRMS
FREQUENCY RANGE: DC TO 3.3 GHz

- UNLESS OTHERWISE SPECIFIED
- ALL DIMENSIONS IN INCHES [MILLIMETERS].
 - TOLERANCES:

.XXX ±.004	XX ±.010
[.XXX ±.10]	[XX ±.25]

 FRACTIONS: X/Y ±.010 [.25] ANGLES: ± 1°
- ★ CRITICAL DIMENSIONS

SD7785-6

REVISIONS	
ISSUE	CHANGES
0	ER 38921 JLA 09/08/03
1	CN 39404 D AM 02/13/06
C	ER 6244 BAM 01/28/08
D	ER 25038 GGR 06/17/10

CUSTOMER
SALES DRAWING

SCALE 3/4:1	
APPROX SURFACE AREA	
USED ON	
REF:	
JACKFIELD, VIDEO	
DRAWN JLA	DATE 09/08/03
DESIGN JLA	DATE 09/08/03
APPR.	DATE



SD7785-6