



(0,80 mm) .0315"

ERF8-RA, ERF8-EM SERIES

ERF8-030-01-L-D-RA-L-TR



ERF8-020-01-L-D-EM2-TR



- Edge Rate™ contacts
- Latching option
- Extended guide post option
- PCB mounting pins

RUGGED EDGE RATE™ STRIPS

ERF8-RA / ERF8-EM
Board Mates:
ERM8

ERF8-RA / ERF8-EM
Cable Mates:
ERCD, ERDP

SPECIFICATIONS

For complete specifications and recommended PCB layouts see www.samtec.com?ERF8-RA or www.samtec.com?ERF8-EM

Insulator Material:
Black LCP
Contact Material:
BeCu



Plating:
Au or Sn over
50µ" (1,27 µm) Ni
Current Rating:
1.4 A per contact @ 95°C
(6 adjacent pins powered)
Operating Temp Range:
-55°C to +125°C

Voltage Rating (ERF8-RA):
235 VAC max
Voltage Rating (ERF8-EM):
200 VAC max
RoHS Compliant:
Yes

Processing:
Lead-Free Solderable:
Yes
SMT Lead Coplanarity (ERF8-RA):
(0,10 mm) .004" max
SMT Lead Coplanarity (ERF8-EM):
(0,10 mm) .004" max (005-030)
(0,12 mm) .005" max (040-075)

APPLICATION SPECIFIC

- Other positions available.
 - Edge Mount option for (1,00 mm) .03937" thick PCB (ERF8-EM only)
 - Solder leads & weld tab for (2,36 mm) .093" thick PCB (ERF8-RA only)
- Call Samtec.

Note: Other Gold plating options available. Contact Samtec.

Note: Some lengths, styles and options are non-standard, non-returnable.

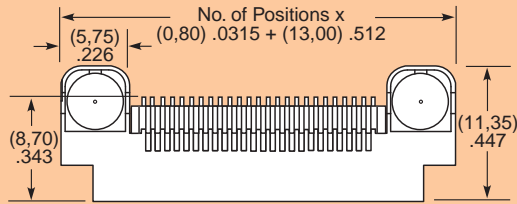


-010, -013, -020,
-025, -030, -040, -049,
-050, -060, -070, -075

-L
= 10µ" (0,25 µm) Gold on contact,
Matte Tin on tail

-L
= Latching (N/A with
-EGP option)

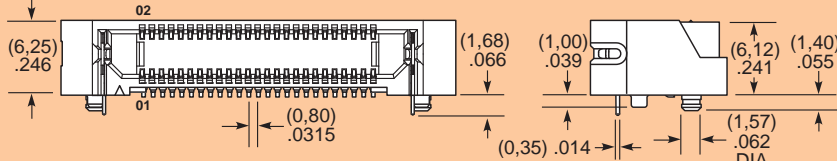
-TR
= Tape & Reel



| ERF8-RA/ERM8-RA | Rated @ 3dB Insertion Loss* |
|-----------------------------|-----------------------------|
| Single-Ended Signaling | 15.0 GHz / 30.0 Gbps |
| Differential Pair Signaling | 15.5 GHz / 31.0 Gbps |

* Test board losses de-embedded from performance data.
Complete test data available at www.samtec.com?ERF8-RA or contact sig@samtec.com

-EGP
= Extended Guide Post (N/A with -L option)



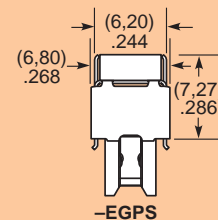
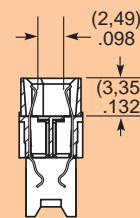
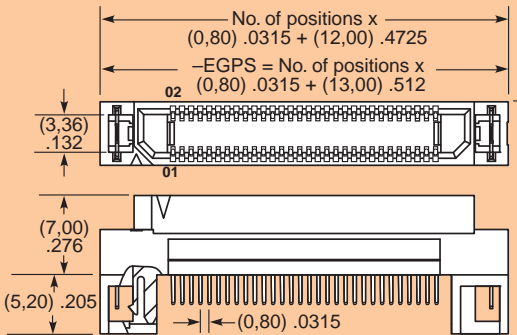
-005, -010, -013, -020,
-025, -030, -040, -049,
-050, -060, -070, -075

-L
= 10µ" (0,25 µm) Gold on contact,
Matte Tin on tail

-EM2
= (1,60 mm) .062" Thick PCB

-EGPS
= Extended Guide Post Shield (-010, -020, -025, -030 positions only)

-TR
= Tape & Reel



Due to technical progress, all designs, specifications and components are subject to change without notice.

WWW.SAMTEC.COM