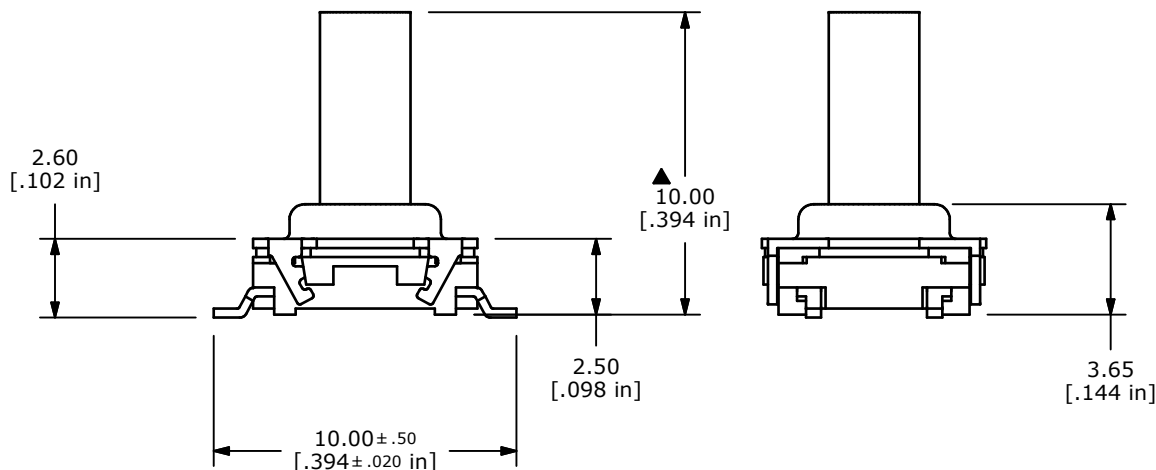


▲ CIRCUIT: SPST

NOTES

1. ALL DIMENSIONS IN MM [INCH]
2. GENERAL TOLERANCE: X.X=± 0.4
X.XX=± 0.25
3. TERMINAL NUMBERS FOR REF. ONLY.
- ▲ 4. OPERATING FORCE: 500 ± 100gf
5. OPERATING LIFE: 200,000 CYCLES
6. TRAVEL: 0.5 ± 0.15mm
7. CONTACT RATING: 12VDC @ 50mA
8. CONTACT RESISTANCE: 100mΩ MAX
9. INSULATION RESISTANCE: 100MΩ MIN @ 100VDC.
- ▲ 10. CONTACT MATERIAL: SILVER
11. OPERATING TEMPERATURE: -40°C TO 85°C
12. PACKAGING: TAPE & REEL, 350 PCS. PER REEL (B)
13. ▲ DENOTES CRITICAL PARAMETER
14. 2002/95/EC (ROHS) COMPLIANT



B	21325	REEL QTY WAS 400	12/11/13	EBP
A	21188	New Release	7/31/13	rc
REV	PCR NO	DESCRIPTION	DATE	BY

TITLE TL6120DF500QG				
SCALE	DATE 6/24/2013	DR rc	DWG T351511	REV B

THE INFORMATION CONTAINED IN THIS DOCUMENT IS PROPRIETARY TO E-SWITCH AND IS NOT TO BE COPIED OR TRANSFERRED