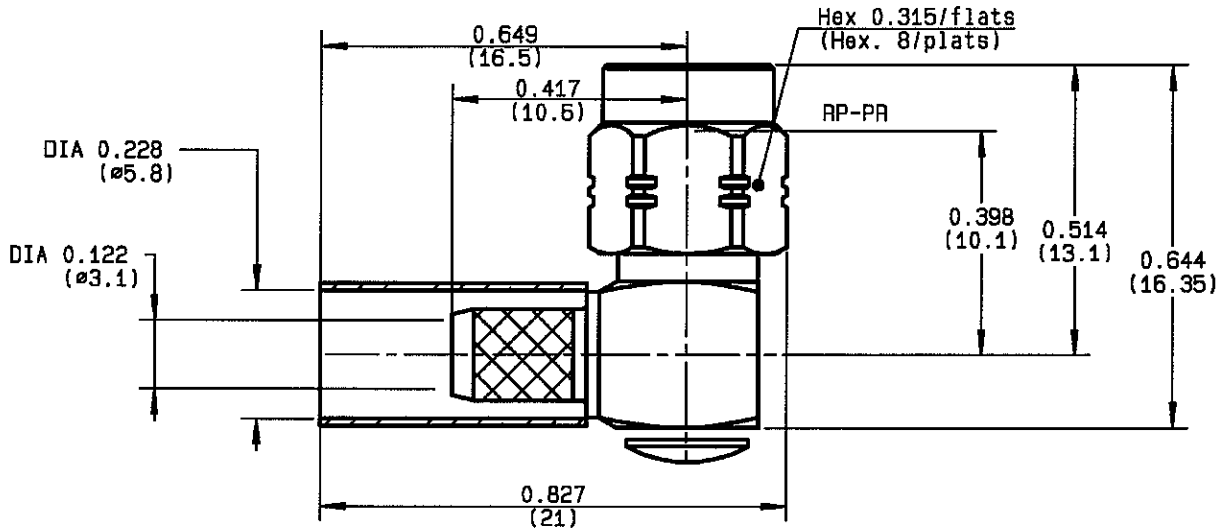


**RIGHT ANGLE PLUG CRIMP TYPE
CABLE 5/50 D**

**R124.176.123
SERIES SMA-COM**



NOMINAL IMPEDANCE	50 Ω
FREQUENCY RANGE	0-12.4 GHz
TEMPERATURE RATING	-65/+165 °C
V.S.W.R	1.15 + .02 x F(GHz)Maxi
RF INSERTION LOSS	0.05 \sqrt{F} (GHz) dB Maxi
VOLTAGE RATING	335 Veff Maxi
DIELECTRIC WITHSTANDING VOLTAGE	1000 Veff Mini
INSULATION RESISTANCE	5000 M Ω Mini
HERMETIC SEAL	NA Atm.cm ³ /s
LEAKAGE (pressurized only)	NA
MECHANICAL DURABILITY	100 Cycles
WEIGHT	5.2 gr
SPECIFICATION	

- CABLES : **KX 23**
RS 142
RS 142 FTX
RS 223
RS 400

OTHERS CHARACTERISTICS

CABLE RETENTION	204 N Mini
CENTER CONTACT RETENTION	
Axial force - mating end	27 N Mini
Axial force - opposite end	27 N Mini
Torque	NA cm.N Mini
RECOMMENDED TORQUES	
Mating	60 cm.N
Panel nut	NA cm.N
Clamp nut	NA cm.N

CONNECTOR PARTS:	MATERIALS	FINISH	(all values are given in micrometers)
BODY	BRASS	GOLD 0.2 OVER NICKEL 2	
OUTER CONTACT			
CENTER CONTACT	BRASS	GOLD 1.3 OVER COPPER 2.5	
INSULATOR	PTFE	-	
GASKET		-	
OTHERS PIECES	BRASS	GOLD 0.2 OVER NICKEL 2	

ISSUE
0708F

CREATION DATE
30/09/1993

FILE PART-NUMBER
EPC 97-03



RADIALL®

TRIQUES

The information given here is subject to change without notice.
Design changes may be in order to improve the product .

Connect to the future



RADIALL®

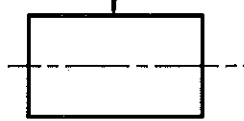
R124.176.123

ISSUE **0708F** SERIES **SMA-COM**

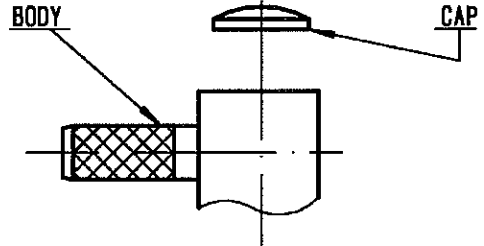
HEATSHRINK SLEEVE



FERRULE

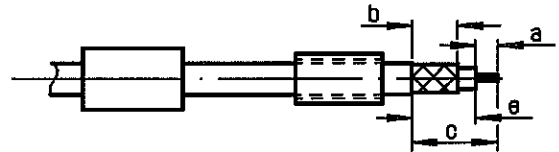


BODY



①

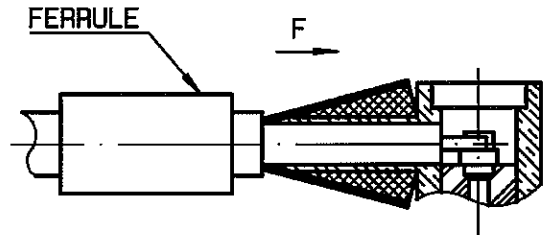
Slide heatshrink sleeve (R280.637.030 - Option) and the ferrule onto cable .
Strip the cable .



Stripping	a	b	c	d	e
inch	0.079	0.256	0.472	0	0.394
mm	2	6.5	12		10

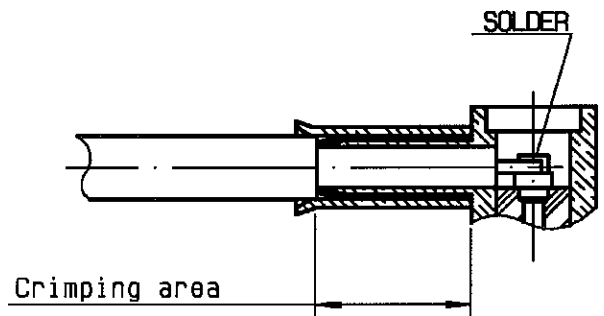
②

Fan the braid .
Push connector body under the braid .
Slide ferrule over braid
(in direction F)



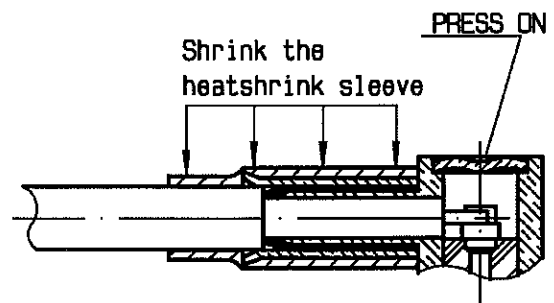
③

Crimp the ferrule with crimping tool R282 223 000 (Hex. : 0.212) or crimping tool R 282 293 000 (M22520/5-01) + dies R 282 235 011 (M22520/5-11)
Solder inner conductor .



④

Place the cap into body.
Press cap flush or slightly below surface of body assembly .
Slide sleeve over ferrule and heatshrink in place (Option) .



TRIQUES