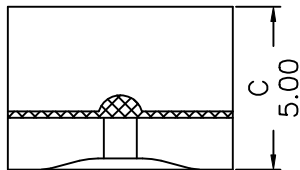
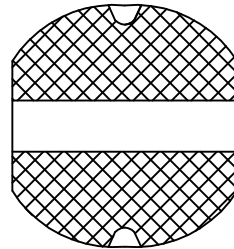
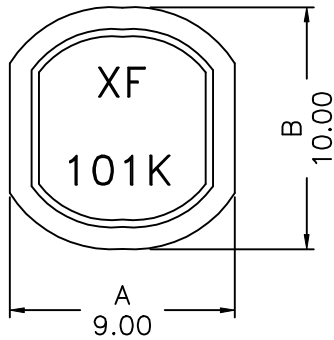
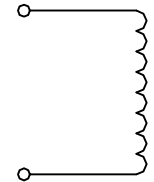


1. Mechanical Dimensions:



2. Schematic:



3. Electrical Specifications:

OCL: $100 \pm 10\%$ uH @1.0KHz 1V ODC
 OCL: 72uH Min @1.0kHz 1V 0.72ADC
 DCR: 0.340 Ohms Max.
 IDC: 0.72 A 720Min

Notes:

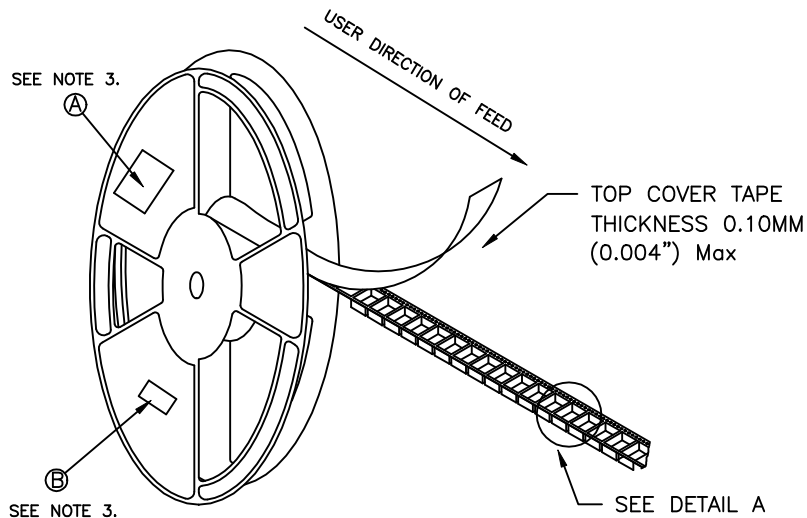
1. Solderability: Leads shall meet MIL-STD-202, Method 208D for solderability.
2. Flammability: UL94V-0
3. ASTM oxygen index: > 28%
4. Insulation System: Class F 155°C. UL file E151556
5. Operating Temperature Range: All listed parameters are to be within tolerance from -40°C to +85°C
6. Storage Temperature Range: -55°C to +125°C
7. Aqueous wash compatible

DOC. REV A/1

THIS DOCUMENT IS STRICTLY NOT ALLOWED TO BE DUPLICATED WITHOUT AUTHORIZATION

XFMRs Inc		Title: XFSDR105SH SERIES INDUCTORS	
UNLESS OTHERWISE SPECIFIED TOLERANCES: .xx ±0.25 Dimensions in MM	P/N: XFSDR105SH-101K		REV. A
	DWN.	李小锋	Dec-04-02
	CHK.	廖玉坤	Dec-04-02
SHT 1 OF 1	APP.	BW	Dec-04-02

TAPE AND REEL SPECIFICATION:



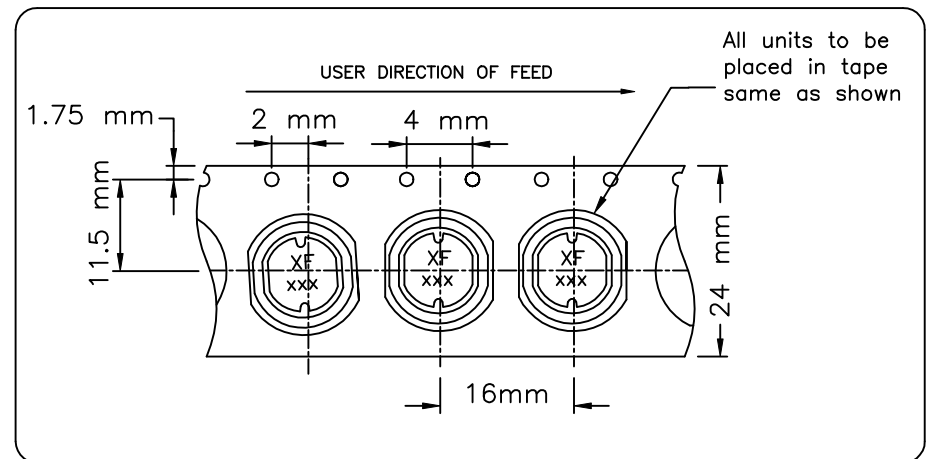
REEL AND TAPE ORIENTATION

13" REEL DIAMETER

NOTES:

- 1) PROCESS IN ACCORDANCE WITH EIA-481-2 STANDARDS
 - * TAPE LEADER DIMENSION 15.30" MIN.
 - * TAPE TRAILER DIMENSION 6.30" MIN.
- 2) PARTS SHOULD BE PACKAGED IN ACCORDANCE WITH ESD GUIDELINES IN EIA-541.
- 3) REEL LABEL: 'A' * CUSTOMER PART NUMBER
 * QUANTITY
 * DATE CODE
 'B' - ANTI-STATIC CAUTION LABEL
- 4) 600PCS PER 13" REEL

DETAIL A



XFMR5 Inc	Title: T&R SPEC		
	UNLESS OTHERWISE SPECIFIED	P/N: XFSDR105SH SERIES	REV. A
TOLERANCES: .xxs ±xxxx	DWN.	廖玉坤	OCT-28-02
Dimensions in mm	CHK.	李清儿	OCT-28-02
SHT 1 OF 2	APP.	BW	OCT-28-02