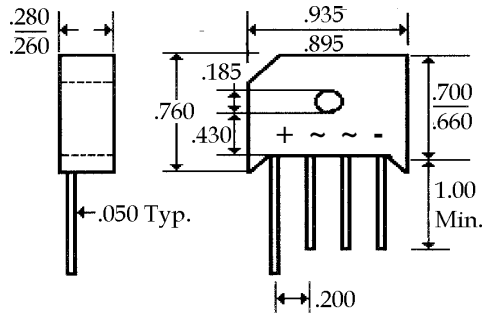


**6.0 Amp
SINGLE PHASE SILICON BRIDGE
Mechanical Dimensions**

KBU600 . . . 610 Series



(Dimensions in inches)

Mechanical Data: Weight - 0.3 Ounces. Mounting Torque - 5.1 lbs. Mounting Position - Any.

Features

- COMPACT SIZE
- LOW LEAKAGE CURRENT
- 250 AMP SURGE OVERLOAD RATING
- MEETS UL SPECIFICATION 94V-0

KBU600 . . . 610 Series								Units
Maximum Ratings	KBU600	KBU601	KBU602	KBU604	KBU606	KBU608	KBU610	
Peak Repetitive Reverse Voltage... V_{RRM}	50	100	200	400	600	800	1000	Volts
RMS Reverse Voltage... $V_{R(rms)}$	35	70	140	280	420	560	700	Volts
DC Blocking Voltage... V_{DC}	50	100	200	400	600	800	1000	Volts
Average Forward Rectified Current... $I_{F(av)}$ $T_A = 25^\circ C$				6.0				Amps
Non-Repetitive Peak Forward Surge Current... I_{FSM} 8.3 ms Single 1/2 Sine Wave Imposed on Rated Load				250				Amps
Operating Temperature Range... T_J				-55 to 125				$^\circ C$
Storage Temperature Range... T_{STRG}				-55 to 150				$^\circ C$
Electrical Characteristics								
Maximum Forward Voltage... V_F Per Bridge Element @ 6.0 Amps				1.0				Volts
Maximum DC Reverse Current Per Bridge Element... I_R @ Rated DC Blocking Voltage				10				μA mps
				1.0				mAmps
Typical Thermal Resistance... $R_{\theta JC}$				10				$^\circ C/W$