

Kingtronics®

KBJ6005 THRU KBJ610

SINGLE-PHASE BRIDGE RECTIFIER GLASS PASSIVATED BRIDGE RECTIFIERS
VOLTAGE RANGE 50 to 1000 Volts CURRENT 6.0 Ampere

FEATURES

- Rating to 1000V PRV.
- Ideal for printed circuit board.
- Reliable low cost construction utilizing molded plastic Technique.
- The plastic material has UL flammability classification 94V-0.
- Electrically isolated base-1500 Volts.

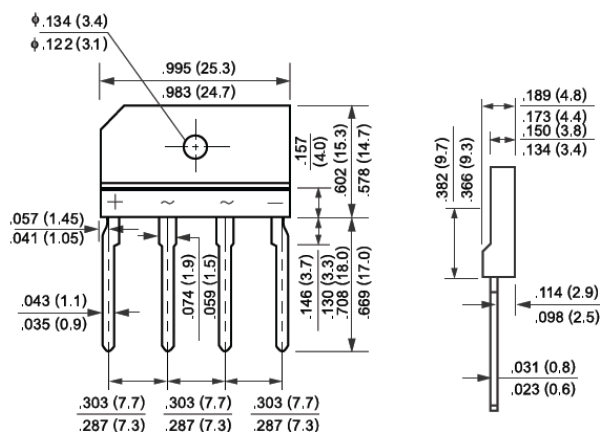
MECHANICAL DATA

- Polarity: Symbols molded on body.
- Weight: 0.15 ounces, 4.0 grams.
- Mounting position: Any.

MAXIMUM RATINGS AND ELECTRICAL CHARACTERISTICS

Ratings at 25°C ambient temperature unless otherwise specified ,
 Single phase, half wave, 60Hz, resistive or inductive load.
 For capacitive load derate current by 20%

Dimensions in inches and (millimeters)

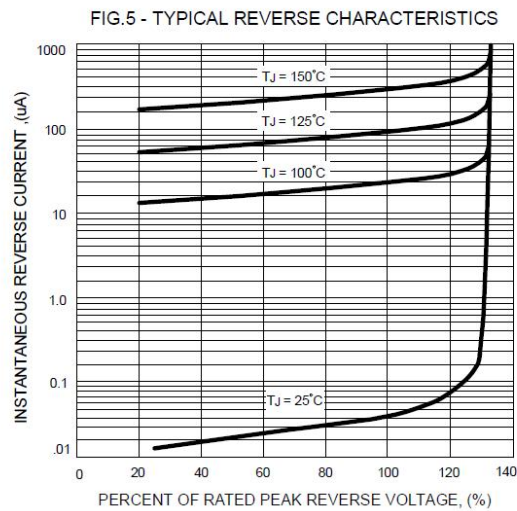
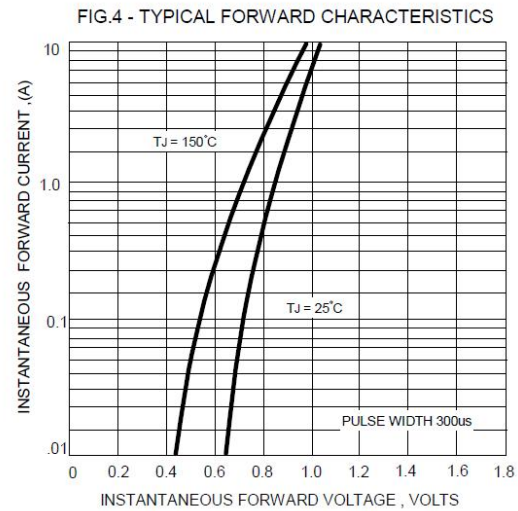
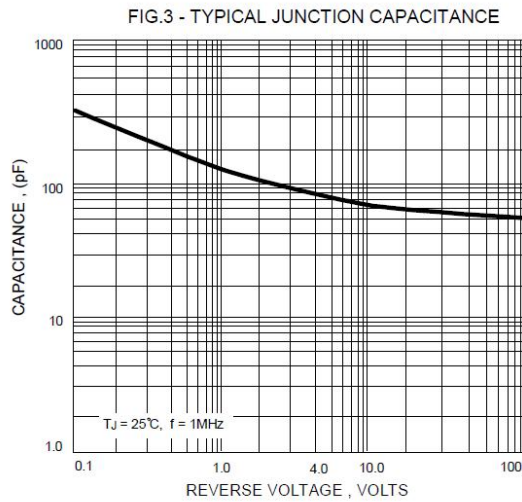
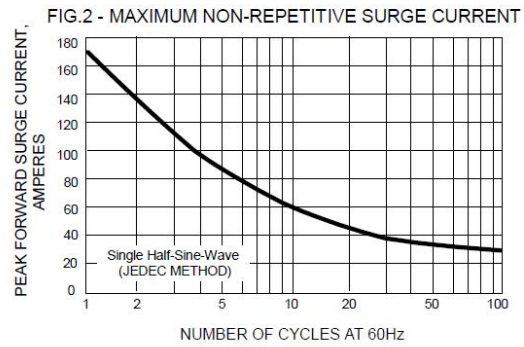
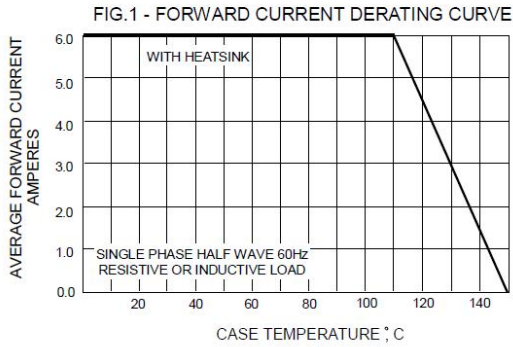


PARAMETER	SYMBOL	KBJ6005	KBJ601	KBJ602	KBJ604	KBJ606	KBJ608	KBJ610	UNIT
Maximum Recurrent Peak Reverse Voltage	V_{RRM}	50	100	200	400	600	800	1000	V
Maximum RMS Voltage	V_{RMS}	35	70	140	280	420	560	700	V
Maximum DC Blocking Voltage	V_{DC}	50	100	200	400	600	800	1000	V
Maximum Average Forward(with heatsink Note 2) Rectified Current @ $T_C=110^\circ\text{C}$ (without heatsink)	$I_{(AV)}$	6.0							A
Peak Forward Surge Current 8.3ms single half sine-wave superimposed on rated load (JEDEC METHOD)	I_{FSM}	170							A
Maximum forward Voltage at 3.0A DC	V_F	1.0							V
Maximum DC Reverse Current @ $T_J=25^\circ\text{C}$ at Rated DC Blocking voltage @ $T_J=125^\circ\text{C}$	I_R	5.0 500							μA
I^2t Rating for fusing($t<8.3\text{ms}$)	I^2t	120							A^2S
Typical Junction Capacitance per element(Note 1)	C_J	80							pF
Typical Thermal Resistance (Note 2)	$R_{\theta JC}$	1.5							$^\circ\text{C}/\text{W}$
Operating Temperature Range	T_J	-55 to +150							$^\circ\text{C}$
Storage Temperature Range	T_{STG}	-55 to +150							$^\circ\text{C}$

1- Measured at 1.0M Hz and applied reversed voltage of 4.0 VDC.
 2- Unit Mounted on 75mm x 75mm x 1.6mm Cu Plate Heatsink.

Kingtronics® International Company

RATINGS AND CHARACTERISTIC CURVES



Note: Specifications are subject to change without notice.