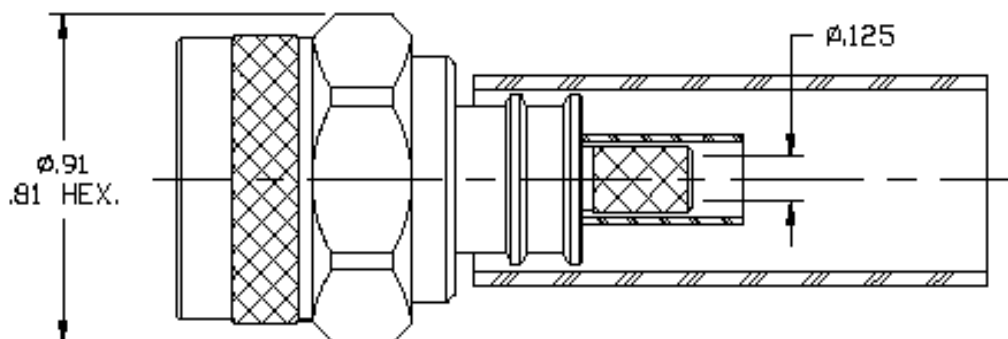


NOTICE OF PROPRIETARY RIGHTS: THIS DOCUMENT CONTAINS CONFIDENTIAL TECHNICAL DATA, INCLUDING TRADE SECRETS, PROPRIETARY TO TIMES MICROWAVE SYSTEMS. DISCLOSURE OF THIS DATA IS EXPRESSLY CONDITIONED UPON YOUR ASSENT THAT ITS USE IS LIMITED TO USE WITHIN YOUR COMPANY ONLY. ANY OTHER USE IS STRICTLY PROHIBITED WITHOUT THE PRIOR WRITTEN CONSENT OF TIMES MICROWAVE SYSTEMS.

SYM	REVISION DESCRIPTION	DFTM	DATE	APPD	DATE
-	RELEASED FOR PRODUCTION	J. C. L.	6/6/06	J. C. L.	6/6/06
A	CHANGED PER CDC #29239	D. J. H.	11/10/08	J. S. B.	11/12/08



EZ-200-NMH-D

ok by tech Svcs

- | | |
|---|-------------------------------------|
| 1.0 PERFORMANCE | 2.4 LOCKING RING: PHOSPHOR BRONZE |
| 1.1 FREQUENCY RANGE: DC-18GHz | 2.5 ALL OTHER METAL PARTS: BRASS |
| 1.2 VOLTAGE RANGE: 500V RMS (sea level) | 2.6 GASKET: SILICON RUBBER |
| 1.3 NOMINAL IMPEDANCE: 50 OHMS | 2.7 SHRINK SLEEVE: THICK WALL |
| 1.4 D/W: 1500V RMS @ 60Hz (sea level) | POLYOLEFIN, MIL-I-23053/4, CLASS 3 |
| 1.5 TEMPERATURE RANGE: -65°C TO +165°C | 3.0 FINISHES |
| 2.0 MATERIALS | 3.1 CENTER CONTACT: GOLD |
| 2.1 DIELECTRIC: PTFE | 3.2 ALL OTHER METAL PARTS: ALBALLOY |
| 2.2 CENTER CONTACT: BERYLLIUM COPPER | 4.0 MECHANICAL |
| 2.3 CRIMP FERRULE: DHP SOFT COPPER | 4.1 INTERFACE REFERENCE MIL-STD-348 |

MATERIAL	UNLESS OTHERWISE SPECIFIED ALL DIMENSIONS ARE IN INCHES MACHINED SURFACES FINISH N/A MAX. REMOVE ALL BURRS .005 MAX. BREAK MACHINE CORNERS .005 MAX. FILLET R. TOLERANCES ON DECIMALS .XX ± .03 .XXX ± .005 ANGLES ± 3° FRACTIONS ± N/A	DFTM	J. C. L.	TIMES MICROWAVE SYSTEMS
		DATE	6/6/06	
USED ON	E	CHKD	J. C. L.	EZ-200-NMH-D "N" MALE, EZ, CRIMP FOR LMR-200 CABLE
		DATE	6/6/06	
SCALE	N/A	APPD	J. C. L.	1 of 1 SD3190-1918 E A
DWG SIZE	A	DO NOT SCALE DRAWING	CODE IDENT	
		DATE	6/6/06	