

DMN3730UFB4

30V N-CHANNEL ENHANCEMENT MODE MOSFET

Product Summary

| $V_{(BR)DSS}$ | $R_{DS(on)}$ | I_D $T_A = +25^\circ C$ |
|---------------|---------------------------------|------------------------------|
| 30V | 460m Ω @ $V_{GS} = 4.5V$ | 0.9A |
| | 560m Ω @ $V_{GS} = 2.5V$ | 0.7A |

Description

This MOSFET is designed to minimize the on-state resistance ($R_{DS(on)}$) and yet maintain superior switching performance, making it ideal for high efficiency power management applications.

Applications

- Load Switch
- Portable Applications
- Power Management Functions

Features and Benefits

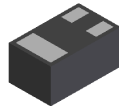
- 0.4mm Ultra Low Profile Package for Thin Application
- 0.6mm² Package Footprint, 10 times Smaller than SOT23
- Low $V_{GS(th)}$, can be driven directly from a battery
- Low $R_{DS(on)}$
- **Totally Lead-Free & Fully RoHS Compliant (Notes 1 & 2)**
- **Halogen and Antimony Free. "Green" Device (Note 3)**
- **ESD Protected Gate 2kV**
- **Qualified to AEC-Q101 Standards for High Reliability**

Mechanical Data

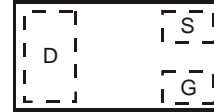
- Case: X2-DFN1006-3
- Case Material: Molded Plastic, "Green" Molding Compound; UL Flammability Classification Rating 94V-0
- Moisture Sensitivity: Level 1 per J-STD-020
- Terminals: Finish – NiPdAu over Copper Leadframe; Solderable per MIL-STD-202, Method 208 (e4)
- Weight: 0.001 grams (Approximate)



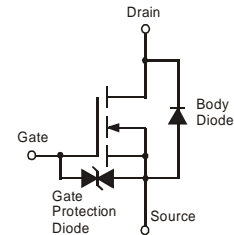
X2-DFN1006-3



Bottom View



Top View





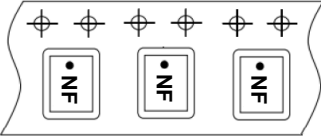
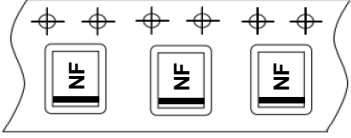

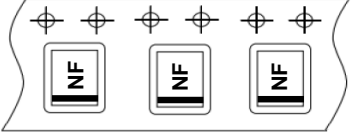
Equivalent Circuit

Ordering Information (Note 4)

| Part Number | Marking | Reel size (inches) | Tape width (mm) | Quantity per reel |
|----------------|---------|--------------------|-----------------|-------------------|
| DMN3730UFB4-7 | NF | 7 | 8 | 3,000 |
| DMN3730UFB4-7B | NF | 7 | 8 | 10,000 |

- Notes:
1. No purposely added lead. Fully EU Directive 2002/95/EC (RoHS) & 2011/65/EU (RoHS 2) compliant.
 2. See http://www.diodes.com/quality/lead_free.html for more information about Diodes Incorporated's definitions of Halogen- and Antimony-free, "Green" and Lead-free.
 3. Halogen- and Antimony-free "Green" products are defined as those which contain <900ppm bromine, <900ppm chlorine (<1500ppm total Br + Cl) and <1000ppm antimony compounds.
 4. For packaging details, go to our website at <http://www.diodes.com/products/packages.html>.

Marking Information

| | |
|------------------------------|--|
| <p>DMN3730UFB4-7</p> | <div style="display: flex; justify-content: space-around;"> <div style="text-align: center;">  <p>Top View Dot Denotes Drain Side</p> </div> <div style="text-align: center;"> <p>From date code 1527 (YYWW), this changes to:</p>  <p>Top View Bar Denotes Gate and Source Side</p> </div> </div> <div style="display: flex; justify-content: space-around; margin-top: 20px;">   </div> |
| <p>DMN3730UFB4-7B</p> | <div style="text-align: center;">  <p>Top View Bar Denotes Gate and Source Side</p> </div> <p style="text-align: center; margin-top: 20px;">NF = Part Marking Code</p> <div style="text-align: center; margin-top: 20px;">  </div> |

Maximum Ratings (@T_A = +25°C, unless otherwise specified.)

| Characteristic | | Symbol | Value | Unit | |
|--------------------------|------------------------|------------------|---------------------------------|------|---|
| Drain-Source Voltage | | V _{DSS} | 30 | V | |
| Gate-Source Voltage | | V _{GSS} | ±8 | | |
| Continuous Drain Current | V _{GS} = 4.5V | I _D | (Note 6) | 0.91 | A |
| | | | T _A = +70°C (Note 6) | 0.73 | |
| | | | (Note 5) | 0.75 | |
| Pulsed Drain Current | | I _{DM} | 3 | | |

Thermal Characteristics (@T_A = +25°C, unless otherwise specified.)

| Characteristic | | Symbol | Value | Unit |
|---|----------|-----------------------------------|-------------|------|
| Power Dissipation | (Note 6) | P _D | 0.69 | W |
| | (Note 5) | | 0.47 | |
| Thermal Resistance, Junction to Ambient | (Note 6) | R _{θJA} | 180 | °C/W |
| | (Note 5) | | 258 | |
| Operating and Storage Temperature Range | | T _J , T _{STG} | -55 to +150 | °C |

- Notes:
5. For a device surface mounted on a minimum recommended pad layout of an FR4 PCB, in still air conditions; the device is measured when operating in steady-state condition.
 6. Same as note 4, except the device measured at t ≤ 10 seconds.
 7. Same as note 4, except the device is pulsed at duty cycle of 1% for a pulse width of 10µs.

Electrical Characteristics (@T_A = +25°C, unless otherwise specified.)

| Characteristic | Symbol | Min | Typ | Max | Unit | Test Condition |
|--|---------------------|------|------|------|------|--|
| OFF CHARACTERISTICS | | | | | | |
| Drain-Source Breakdown Voltage | BV _{DSS} | 30 | — | — | V | V _{GS} = 0V, I _D = 10μA |
| Zero Gate Voltage Drain Current | I _{DSS} | — | — | 1 | μA | V _{DS} = 30V, V _{GS} = 0V |
| Gate-Source Leakage | I _{GSS} | — | — | 3 | μA | V _{GS} = ±8V, V _{DS} = 0V |
| ON CHARACTERISTICS | | | | | | |
| Gate Threshold Voltage | V _{GS(th)} | 0.45 | — | 0.95 | V | V _{DS} = V _{GS} , I _D = 250μA |
| Static Drain-Source On-Resistance (Note 8) | R _{DS(on)} | — | — | 460 | mΩ | V _{GS} = 4.5V, I _D = 200mA |
| | | — | — | 560 | | V _{GS} = 2.5V, I _D = 100mA |
| | | — | — | 730 | | V _{GS} = 1.8V, I _D = 75mA |
| Forward Transfer Admittance | Y _{fs} | 40 | — | — | mS | V _{DS} = 3V, I _D = 10mA |
| Diode Forward Voltage (Note 8) | V _{SD} | — | 0.7 | 1.2 | V | V _{GS} = 0V, I _S = 300mA |
| DYNAMIC CHARACTERISTICS (Note 9) | | | | | | |
| Input Capacitance | C _{iSS} | — | 64.3 | — | pF | V _{DS} = 25V, V _{GS} = 0V, f = 1.0MHz |
| Output Capacitance | C _{oSS} | — | 6.1 | — | pF | |
| Reverse Transfer Capacitance | C _{rSS} | — | 4.5 | — | pF | |
| Gate Resistance | R _g | — | 70 | — | Ω | V _{DS} = 0V, V _{GS} = 0V, f = 1MHz |
| Total Gate Charge | Q _g | — | 1.6 | — | nC | V _{GS} = 4.5V, V _{DS} = 15V, I _D = 1A |
| Gate-Source Charge | Q _{gs} | — | 0.2 | — | nC | |
| Gate-Drain Charge | Q _{gd} | — | 0.2 | — | nC | |
| Turn-On Delay Time | t _{D(on)} | — | 3.5 | — | ns | V _{DS} = 10V, I _D = 1A V _{GS} = 10V, R _G = 6Ω |
| Turn-On Rise Time | t _r | — | 2.8 | — | ns | |
| Turn-Off Delay Time | t _{D(off)} | — | 38 | — | ns | |
| Turn-Off Fall Time | t _f | — | 13 | — | ns | |

Notes: 8. Measured under pulsed conditions to minimize self-heating effect. Pulse width ≤ 300μs; duty cycle ≤ 2%
9. For design aid only, not subject to production testing.

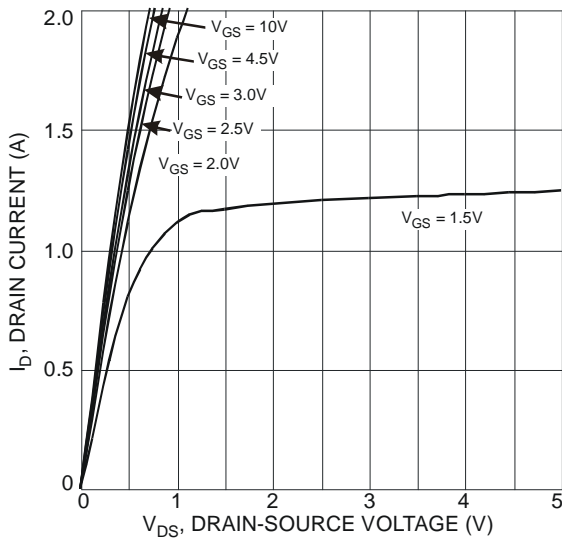


Fig. 1 Typical Output Characteristic

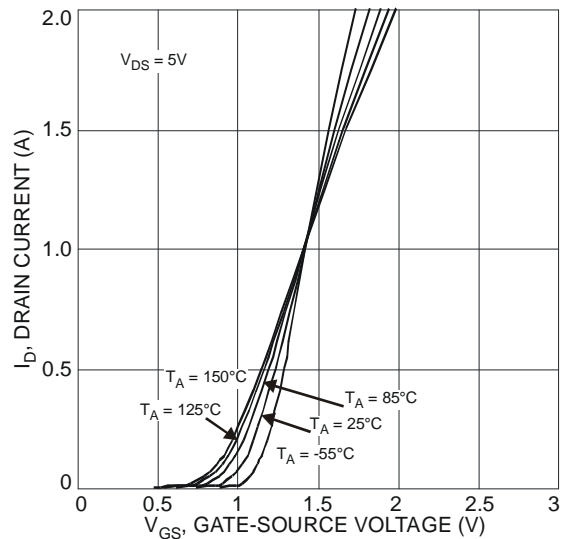


Fig. 2 Typical Transfer Characteristic

DMN3730UFB4

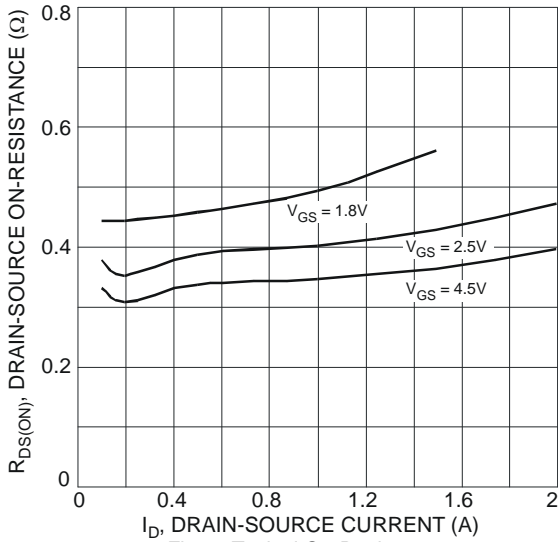


Fig. 3 Typical On-Resistance vs. Drain Current and Gate Voltage

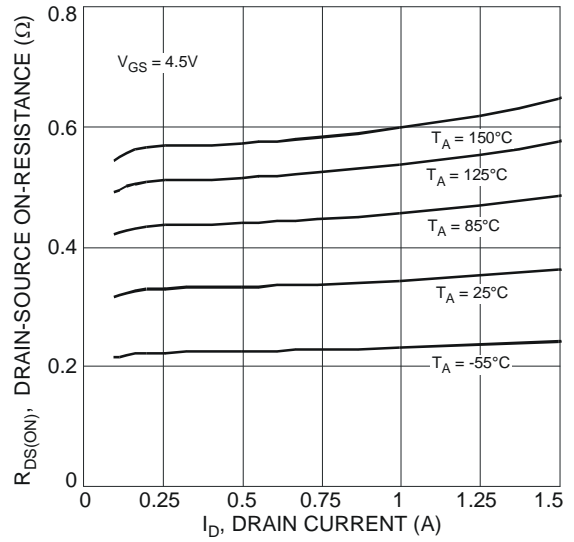


Fig. 4 Typical On-Resistance vs. Drain Current and Temperature

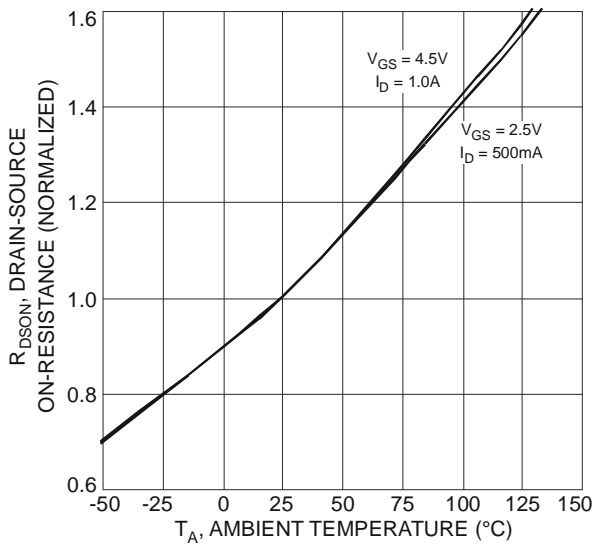


Fig. 5 On-Resistance Variation with Temperature

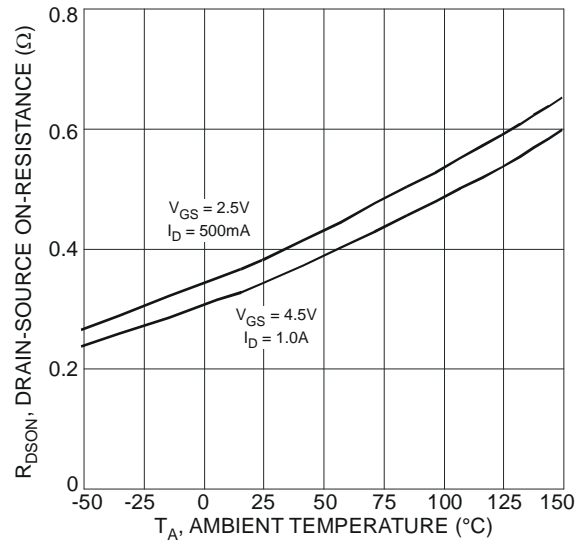


Fig. 6 On-Resistance Variation with Temperature

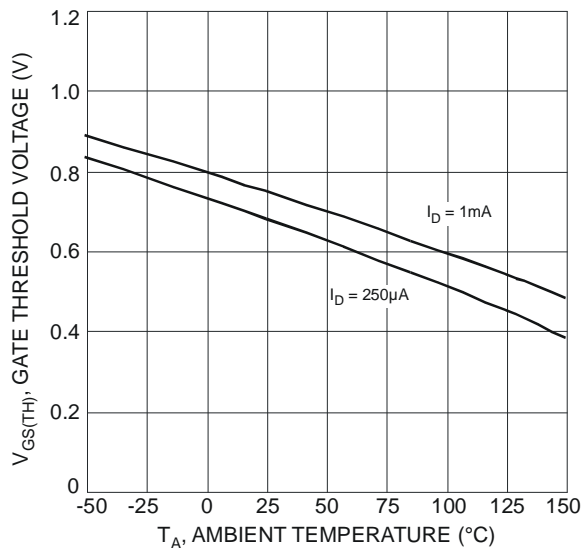


Fig. 7 Gate Threshold Variation vs. Ambient Temperature

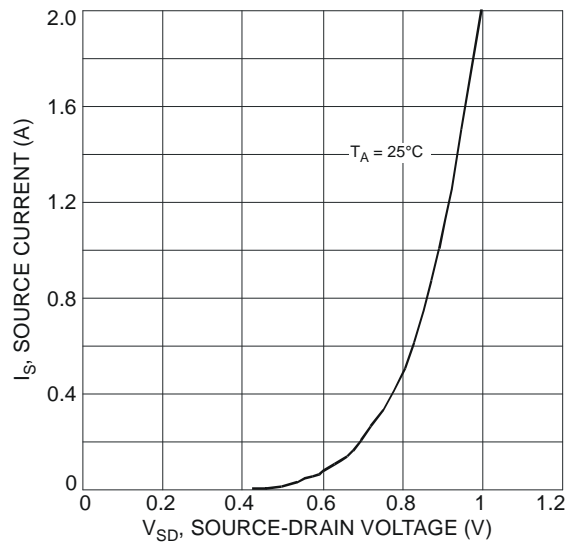


Fig. 8 Diode Forward Voltage vs. Current

DMN3730UFB4

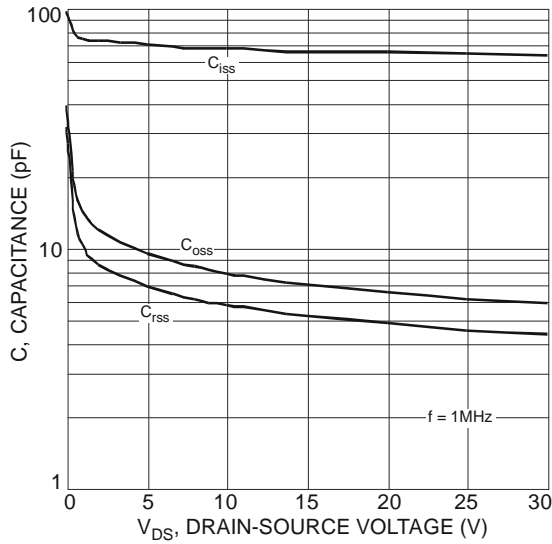


Fig. 9 Typical Total Capacitance

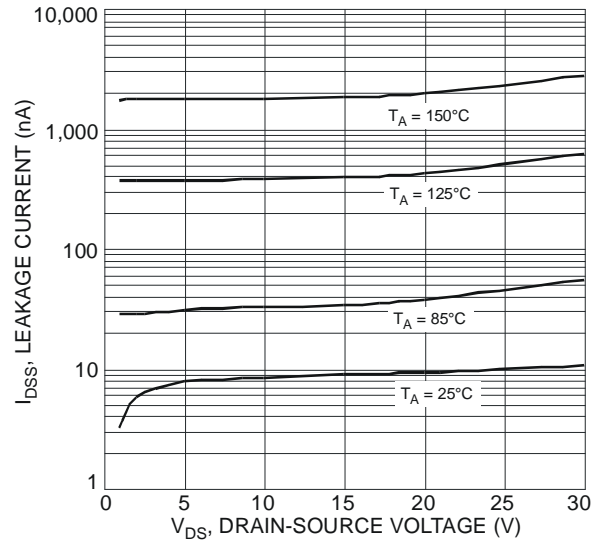


Fig. 10 Typical Leakage Current vs. Drain-Source Voltage

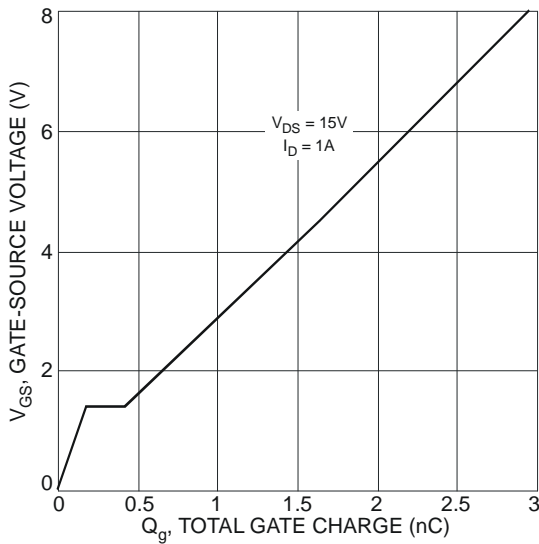


Fig. 11 Gate-Charge Characteristics

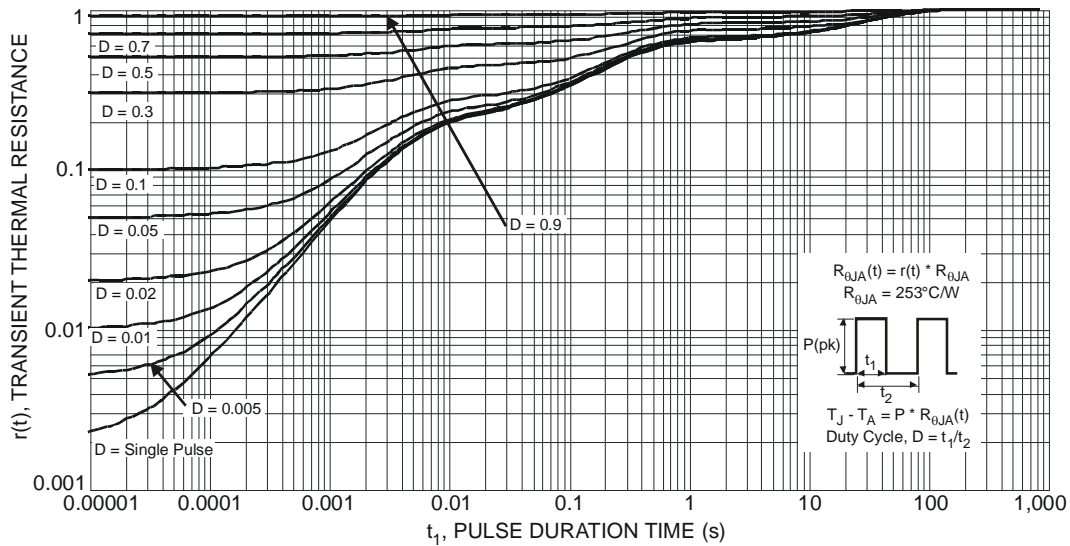
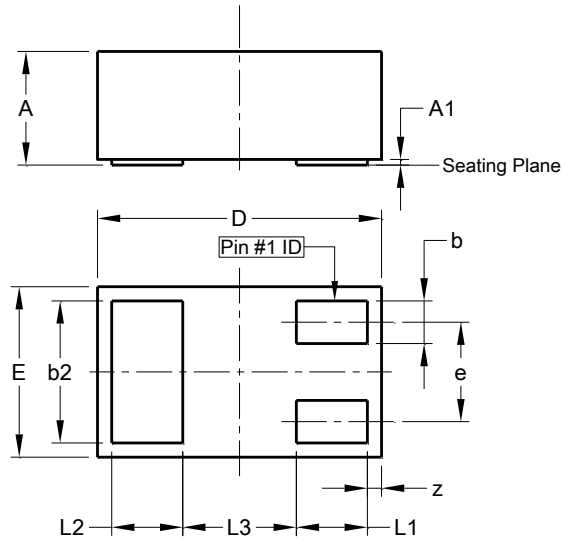


Fig. 12 Transient Thermal Response

Package Outline Dimensions

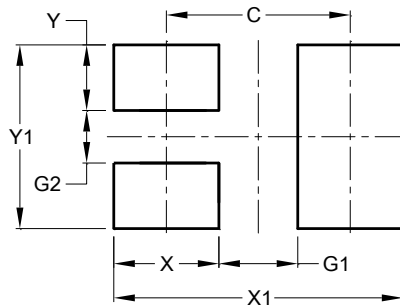
Please see AP02002 at <http://www.diodes.com/datasheets/ap02002.pdf> for the latest version.



| X2-DFN1006-3 | | | |
|----------------------|------|------|------|
| Dim | Min | Max | Typ |
| A | — | 0.40 | — |
| A1 | 0.00 | 0.05 | 0.03 |
| b | 0.10 | 0.20 | 0.15 |
| b2 | 0.45 | 0.55 | 0.50 |
| D | 0.95 | 1.05 | 1.00 |
| E | 0.55 | 0.65 | 0.60 |
| e | - | - | 0.35 |
| L1 | 0.20 | 0.30 | 0.25 |
| L2 | 0.20 | 0.30 | 0.25 |
| L3 | - | - | 0.40 |
| z | 0.02 | 0.08 | 0.05 |
| All Dimensions in mm | | | |

Suggested Pad Layout

Please see AP02001 at <http://www.diodes.com/datasheets/ap02001.pdf> for the latest version.



| Dimensions | Value (in mm) |
|------------|---------------|
| C | 0.70 |
| G1 | 0.30 |
| G2 | 0.20 |
| X | 0.40 |
| X1 | 1.10 |
| Y | 0.25 |
| Y1 | 0.70 |

IMPORTANT NOTICE

DIODES INCORPORATED MAKES NO WARRANTY OF ANY KIND, EXPRESS OR IMPLIED, WITH REGARDS TO THIS DOCUMENT, INCLUDING, BUT NOT LIMITED TO, THE IMPLIED WARRANTIES OF MERCHANTABILITY AND FITNESS FOR A PARTICULAR PURPOSE (AND THEIR EQUIVALENTS UNDER THE LAWS OF ANY JURISDICTION).

Diodes Incorporated and its subsidiaries reserve the right to make modifications, enhancements, improvements, corrections or other changes without further notice to this document and any product described herein. Diodes Incorporated does not assume any liability arising out of the application or use of this document or any product described herein; neither does Diodes Incorporated convey any license under its patent or trademark rights, nor the rights of others. Any Customer or user of this document or products described herein in such applications shall assume all risks of such use and will agree to hold Diodes Incorporated and all the companies whose products are represented on Diodes Incorporated website, harmless against all damages.

Diodes Incorporated does not warrant or accept any liability whatsoever in respect of any products purchased through unauthorized sales channel. Should Customers purchase or use Diodes Incorporated products for any unintended or unauthorized application, Customers shall indemnify and hold Diodes Incorporated and its representatives harmless against all claims, damages, expenses, and attorney fees arising out of, directly or indirectly, any claim of personal injury or death associated with such unintended or unauthorized application.

Products described herein may be covered by one or more United States, international or foreign patents pending. Product names and markings noted herein may also be covered by one or more United States, international or foreign trademarks.

This document is written in English but may be translated into multiple languages for reference. Only the English version of this document is the final and determinative format released by Diodes Incorporated.

LIFE SUPPORT

Diodes Incorporated products are specifically not authorized for use as critical components in life support devices or systems without the express written approval of the Chief Executive Officer of Diodes Incorporated. As used herein:

A. Life support devices or systems are devices or systems which:

1. are intended to implant into the body, or
2. support or sustain life and whose failure to perform when properly used in accordance with instructions for use provided in the labeling can be reasonably expected to result in significant injury to the user.

B. A critical component is any component in a life support device or system whose failure to perform can be reasonably expected to cause the failure of the life support device or to affect its safety or effectiveness.

Customers represent that they have all necessary expertise in the safety and regulatory ramifications of their life support devices or systems, and acknowledge and agree that they are solely responsible for all legal, regulatory and safety-related requirements concerning their products and any use of Diodes Incorporated products in such safety-critical, life support devices or systems, notwithstanding any devices- or systems-related information or support that may be provided by Diodes Incorporated. Further, Customers must fully indemnify Diodes Incorporated and its representatives against any damages arising out of the use of Diodes Incorporated products in such safety-critical, life support devices or systems.

Copyright © 2015, Diodes Incorporated

www.diodes.com