

# XDSL SPLITTER FILTER MODULE

## B8842NL

SmartER Series



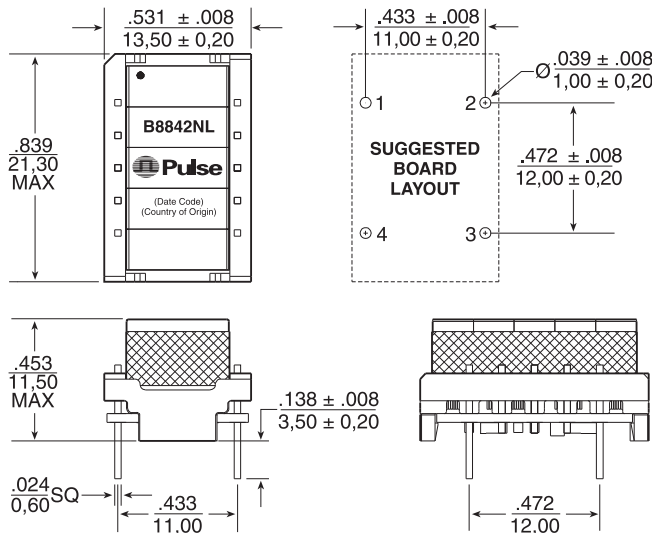
- Ⓢ ISDN CO splitter for standard ADSL / VDSL2 applications
- Ⓢ LPF compliant with ETSI specification TS 101-952-1-3, v1.1.1 for both 2B1Q and 4B3T applications
- Ⓢ Part of a standard series which has footprint compatibility
- Ⓢ For ADSL, ADSL2+, VDSL and VDSL2 applications
- Ⓢ RoHS-6 compatible
- Ⓢ Patented technology: US7598837, US7598839, CN1667763, EP1644943, TWI316724, CA2531599

### Electrical Specifications @ 25°C

PARAMETER	FREQUENCY	
ISDN Impedance	1 kHz to 80 kHz	135 Ω & 150 Ω
ISDN Insertion Loss 2B1Q	1 kHz to 40 kHz	0.8 dB MAX
	40 kHz to 80 kHz	2.0 dB MAX
ISDN Return Loss 2B1Q	1 kHz to 40 kHz	16 dB MIN
	40 kHz to 80 kHz	14 dB MIN
ISDN Insertion Loss 4B3T	1 kHz to 60 kHz	0.8 dB MAX
	60 kHz to 80 kHz	2.0 dB MAX
ISDN Return Loss 4B3T	1 kHz to 60 kHz	16 dB MIN
	60 kHz to 60 kHz	14 dB MIN
Longitudinal Balance	30 kHz to 85 kHz	46 dB MIN
	120 kHz to 1.1 MHz	46 dB MIN
	1.1 MHz to 30 MHz	45 dB MIN
xDSL Insertion Loss	150 kHz to 1.1 MHz	65 dB MIN
	1.1 MHz to 30 MHz	55 dB MIN
DC Current		60 mA MAX
Total DC Resistance		4.8 Ω MAX

### Mechanical

B8842NL



Weight . . . . . 8.0 grams  
 Tray. . . . . 80/tray  
 Dimensions:  $\frac{\text{Inches}}{\text{mm}}$   
 Unless otherwise specified, all tolerances are  $\pm \frac{.010}{0,25}$

# XDSL SPLITTER FILTER MODULE

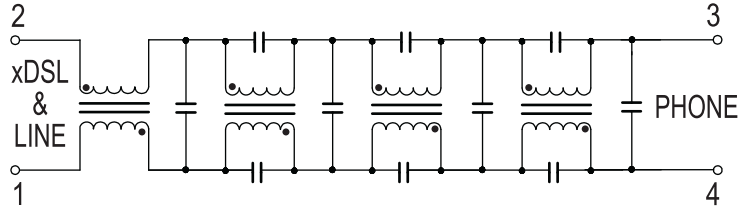
## B8842NL

SmartER Series



### Schematic

**B8842NL**



### For More Information:

#### Pulse Worldwide Headquarters

12220 World Trade Dr.  
San Diego, CA 92128  
U.S.A.

[www.pulseeng.com](http://www.pulseeng.com)  
Tel: 858 674 8100  
Fax: 858 674 8262

#### Pulse Europe

Zeppelinstrasse 15  
D-71083 Herrenberg  
Germany

Tel: 49 7032 7806 0  
Fax: 49 7032 7806 135

#### Pulse China Headquarters

B402, Shenzhen Academy of  
Aerospace Technology Bldg.  
10th Kejinan Rd.  
High-Tech Zone  
Nanshan District  
Shenzhen, PR China 518057

Tel: 86 755 33966678  
Fax: 86 755 33966700

#### Pulse North China

Room 2704/2705  
Super Ocean Finance Ctr.  
2067 Yan An Rd. West  
Shanghai 200336  
China

Tel: 86 21 62787060  
Fax: 86 2162786973

#### Pulse South Asia

135 Joo Seng Rd.  
#03-02  
PM Industrial Bldg.  
Singapore 368363

Tel: 65 6287 8998  
Fax: 65 6287 8998

#### Pulse North Asia

3F, No. 198  
Zhongyuan Rd.  
Zhongli City  
Taoyuan County 320  
Taiwan R. O. C.

Tel: 886 3 4356768  
Fax: 886 3 4356823 (Pulse)  
Fax: 886 3 4356820 (FRE)

Performance warranty of products offered on this data sheet is limited to the parameters specified. Data is subject to change without notice. Other brand and product names mentioned herein may be trademarks or registered trademarks of their respective owners.

© Copyright, 2010. Pulse Engineering, Inc. All rights reserved.