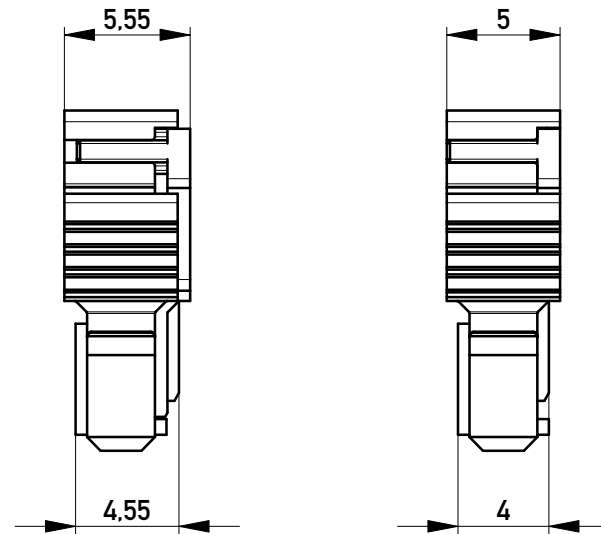
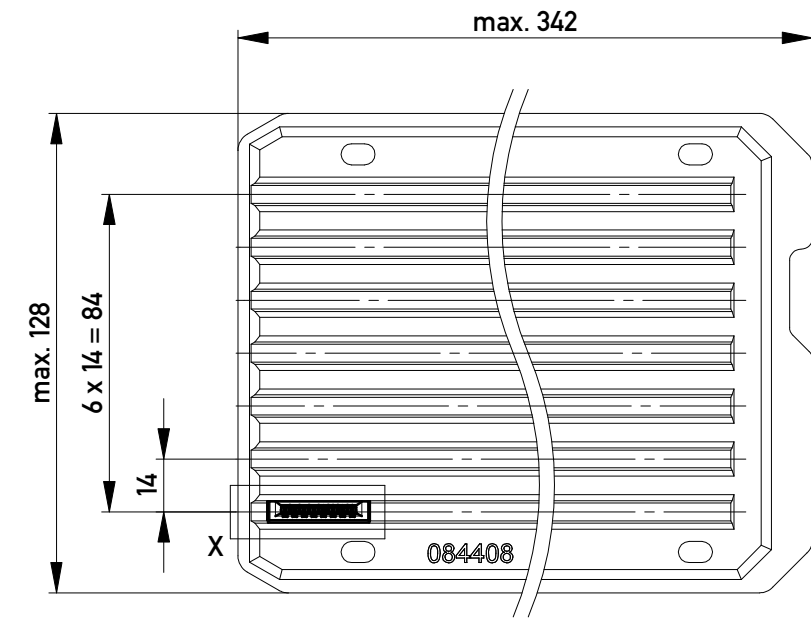


Abdeckung vorverrastet  
cover loose mounted

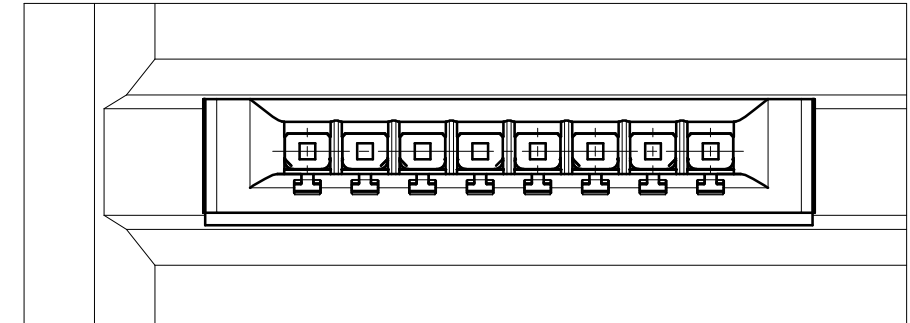
Abdeckung verpresst  
cover pressed on



Verpackt in Tray - tray packaging  
Verpackungseinheit 77 Stück - packaging unit 77



Einzelheit X  
detail X



Copyright by ERNI GmbH  
Proprietary notice pursuant to ISO 16016 to be observed.

Information: Codierung rot - coding red		Tolerances	All Dimensions in mm	Scale 3:1
All rights reserved. Only for Information. To ensure that this is the latest version of this drawing, please contact one of the ERNI companies before using.		Subject to modification without prior notice. Drawing will not be updated.		Designation <b>F 2.54 SRC-A, 8-polig BA 2</b>
c		14.05.2014	www.ERNI.com	<b>105402070001</b>
Index	Date			K A3
Class				SRCBUG