

THIS DRAWING IS UNPUBLISHED.

RELEASED FOR PUBLICATION

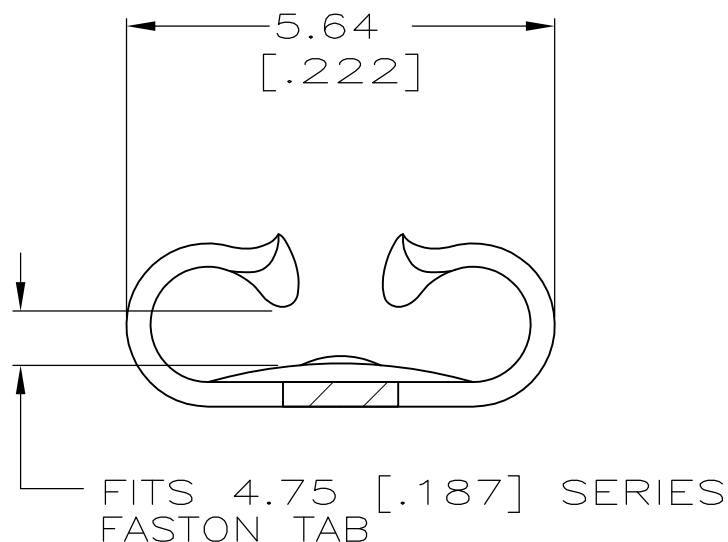
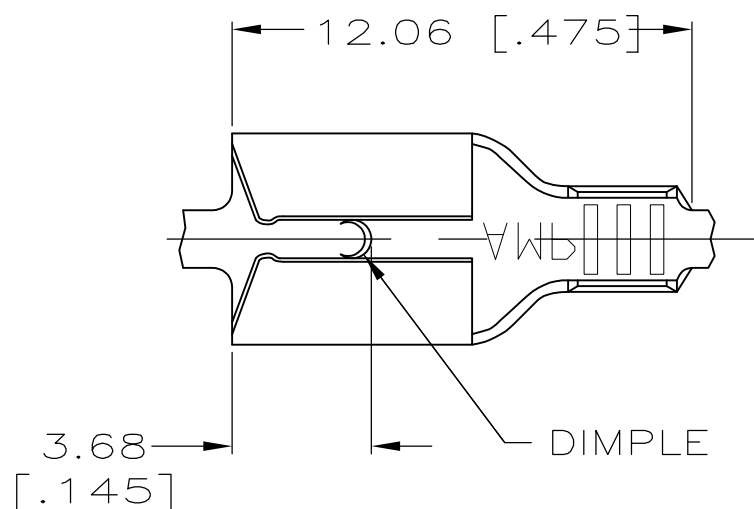
ALL RIGHTS RESERVED.

© COPYRIGHT - By -

LOC AF DIST 50

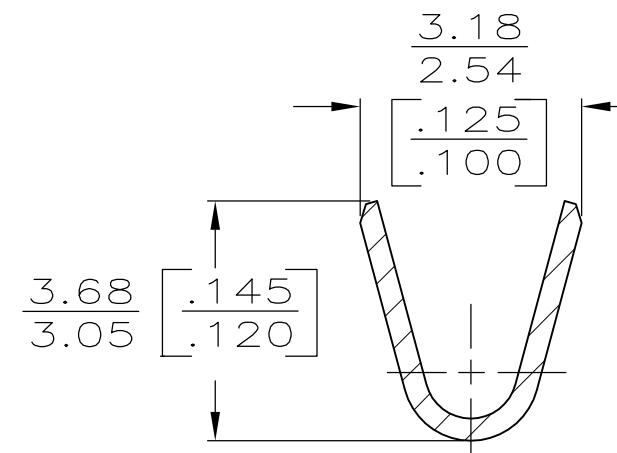
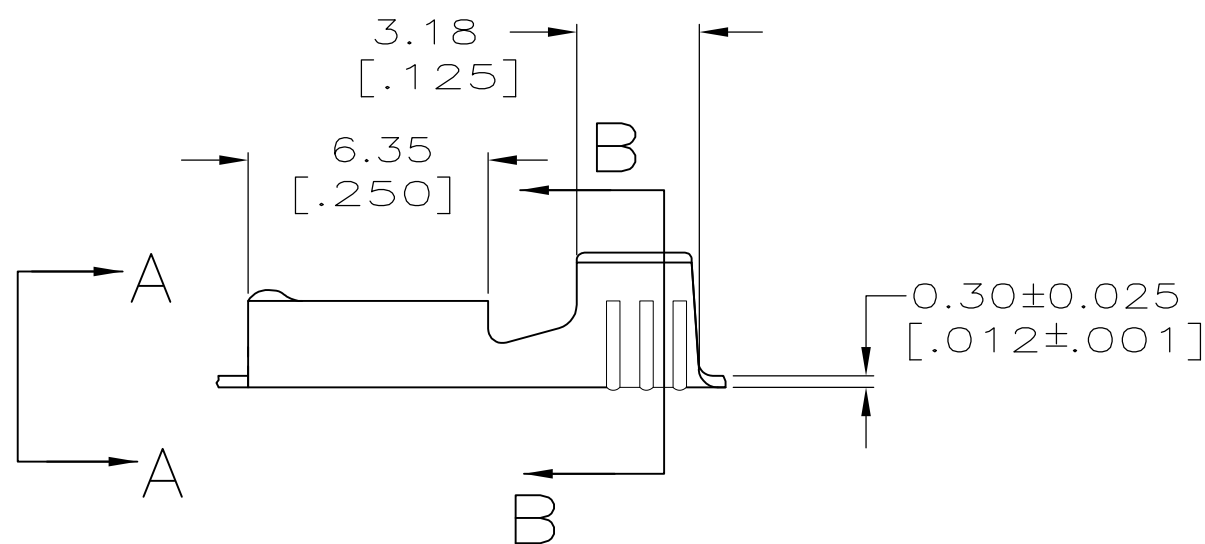
REVISIONS

P	LTR	DESCRIPTION	DATE	DWN	APVD
D		REVISED PER ECR-12-013459	28NOV2012	KH	PD



VIEW A-A  
SCALE 10:1

- 1 CONTINUOUS STRIP ON REELS
- 2 TIN
- 3 MATING TAB THK TO BE 0.81±0.025 [.032±.001].
- 4 WIRE SIZE IS [#20-#16] AWG.



SECTION B-B  
SCALE 10:1

61969-1

PART NUMBER

THIS DRAWING IS A CONTROLLED DOCUMENT.		DWN JR RUTH 1/24/97	TE Connectivity			
DIMENSIONS: mm [INCHES]		CHK P FORTNEY 1/24/97				
TOLERANCES UNLESS OTHERWISE SPECIFIED:		APVD P DESANTIS 1/24/97	NAME RECEPTACLE, FASTON,™ 4.75 [.187] SERIES			
0 PLC ± - 1 PLC ± - 2 PLC ± 0.38 [.015] 3 PLC ± - 4 PLC ± - ANGLES ± -		PRODUCT SPEC -	RESTRICTED TO -			
MATERIAL BRASS		FINISH	APPLICATION SPEC -	SIZE A3	CAGE CODE 00779	DRAWING NO C-61969
CUSTOMER DRAWING			WEIGHT -	SCALE 5:1	SHEET 1 OF 1	REV D